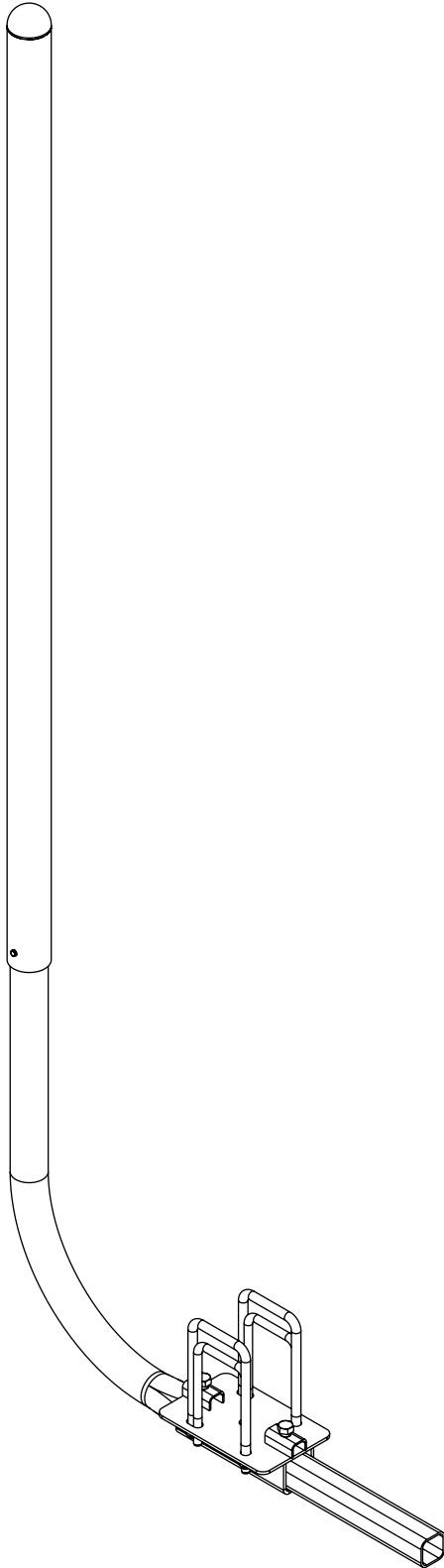


TA0101-00

Loadguide Kit for 2000 through 8300 lb. Aluminum and 3X5 Steel Trailers



Assembly Instructions:

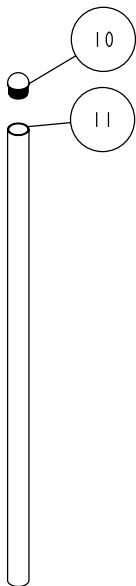
Open all bundles and hardware bag, sort parts.

Match trailer size to the appropriate u-bolts. Refer to NOTE on page 2.

Place u-bolt over sideframe ahead of taillights. Place loadguide bracket against the bottom of the frame sliding threaded ends of u-bolts through the holes in loadguide bracket. Secure with nylon lock nuts.

Loadguides are then slid into slot on bottom of loadguide bracket, position loadguide next to boat and tighten set bolts.

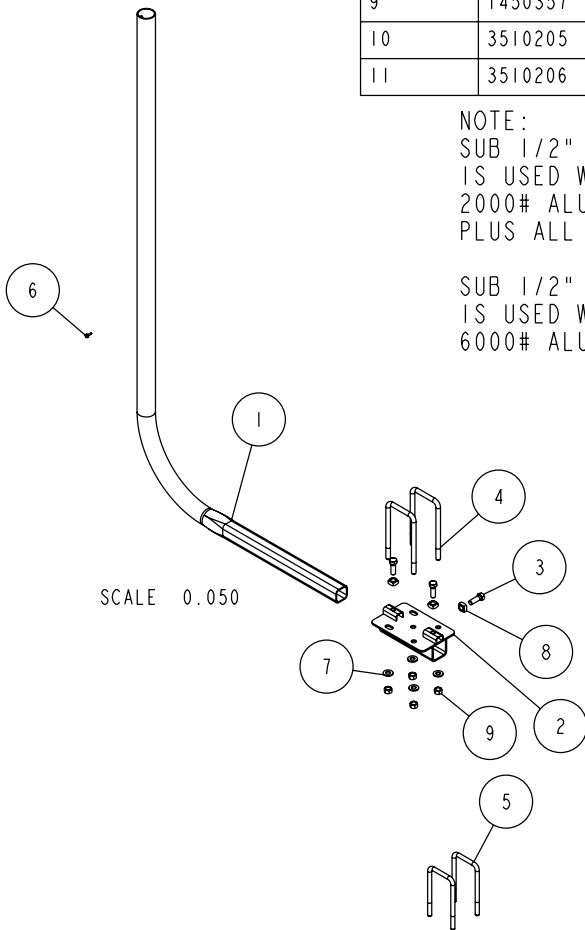
Repeat on opposite side of trailer.



| BILL OF MATERIALS | | | | |
|-------------------|---------|-------------------------------------|-----|-----|
| ITEM | PART # | DESCRIPTION | QTY | KIT |
| 1 | 66817 | LOADGUIDE TUBE | 1 | 2 |
| 2 | 66819 | LOADGUIDE WELDMENT | 1 | 2 |
| 3 | 0150281 | HH 1/2-13 X 1-1/2 CS SS GR5 | 3 | 6 |
| 4 | 0340205 | SUB 1/2 X 3 15/16 X 7 1/4 | 2 | 4 |
| 5 | 0340217 | SUB 1/2 X 3 9/16 X 6-1/4 | 2 | 4 |
| 6 | 0810972 | SCREW #10 X 3/4 HH SELFTAP STAINLES | 1 | 2 |
| 7 | 1350100 | WASHER USS FLAT 1/2 STAINLESS | 4 | 8 |
| 8 | 1440189 | NUT REG SQUARE 1/2-13 | 3 | 6 |
| 9 | 1450357 | HEX LOCKNUT NYLON 1/2-13 STAINLESS | 4 | 8 |
| 10 | 3510205 | DOCK BUMPER CAP | 1 | 2 |
| 11 | 3510206 | POLY TUBE 2 5/16 IN OD DOCK BUMP | 1 | 2 |

NOTE:
 SUB 1/2" X 3 9/16" X 6 1/4" (0340217)
 IS USED WHEN LOADGUIDE IS INSTALLED ON THE
 2000# ALUM TRAILERS THRU THE 4600# ALUM TRAILERS,
 PLUS ALL 3 X 5 STEEL FRAMES

SUB 1/2" X 3 15/16" X 7 1/4 (0340205)
 IS USED WHEN LOADGUIDE IS INSTALLED ON THE
 6000# ALUM TRAILERS THRU THE 8300# ALUM TRAILERS



SCALE 0.050