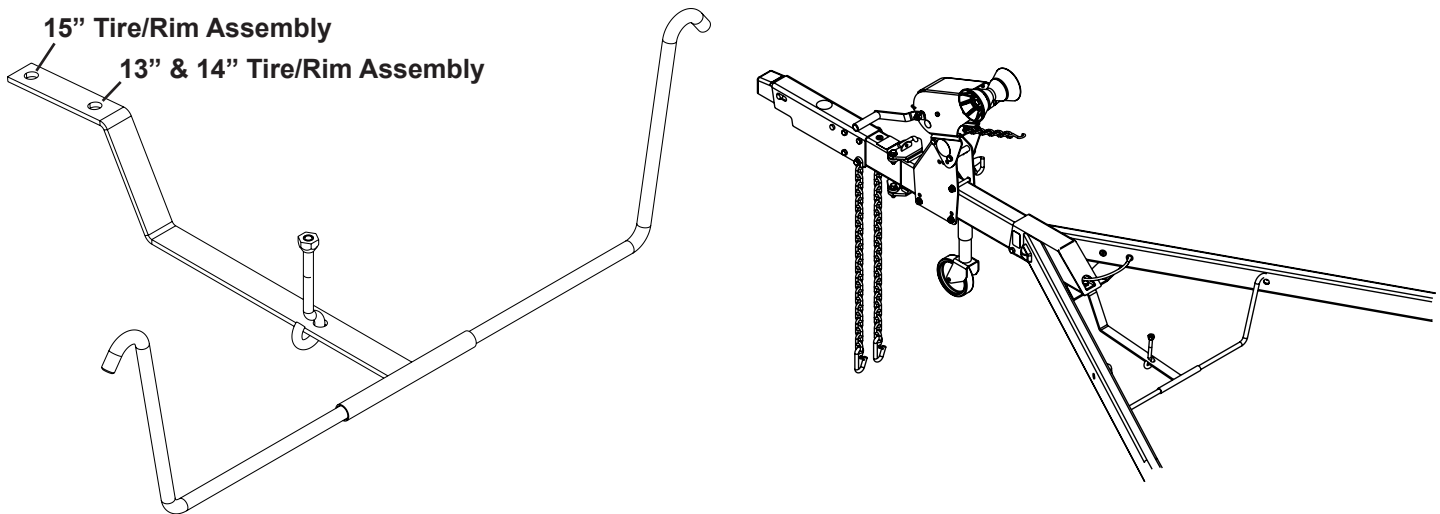


TA0105-10 Spare Tire Basket Kit



ASSEMBLY INSTRUCTIONS

Remove all hardware and sort by size.

Note that the spare tire hangar basket is designed to fit more than one size tire. The front hole is used only when carrying a 15" tire. The rear hole is for a 13" or 14" tire.

Locate the holes on the inside of the side frames of the trailers. Place the hook end of a spare tire hangar rod into the hole on one of the side frames. Repeat this process on the other side frame with the second hangar rod.

Locate the spare tire support bar weldment. Position as shown in the diagram, then slide the tube section onto one of the spare tire hangar rods until completely on.

Rotate both spare tire hangar rods up until they align with each other. Once aligned, slide the tube section back and onto the other hangar rod until it is located equally on both spare tire hangar rods.

Loosen and remove the nut on the bolt that attaches the rear of the tongue into the tongue channel. Place the correct hole of the weldment bar onto the bolt. Replace the nut. Tighten.

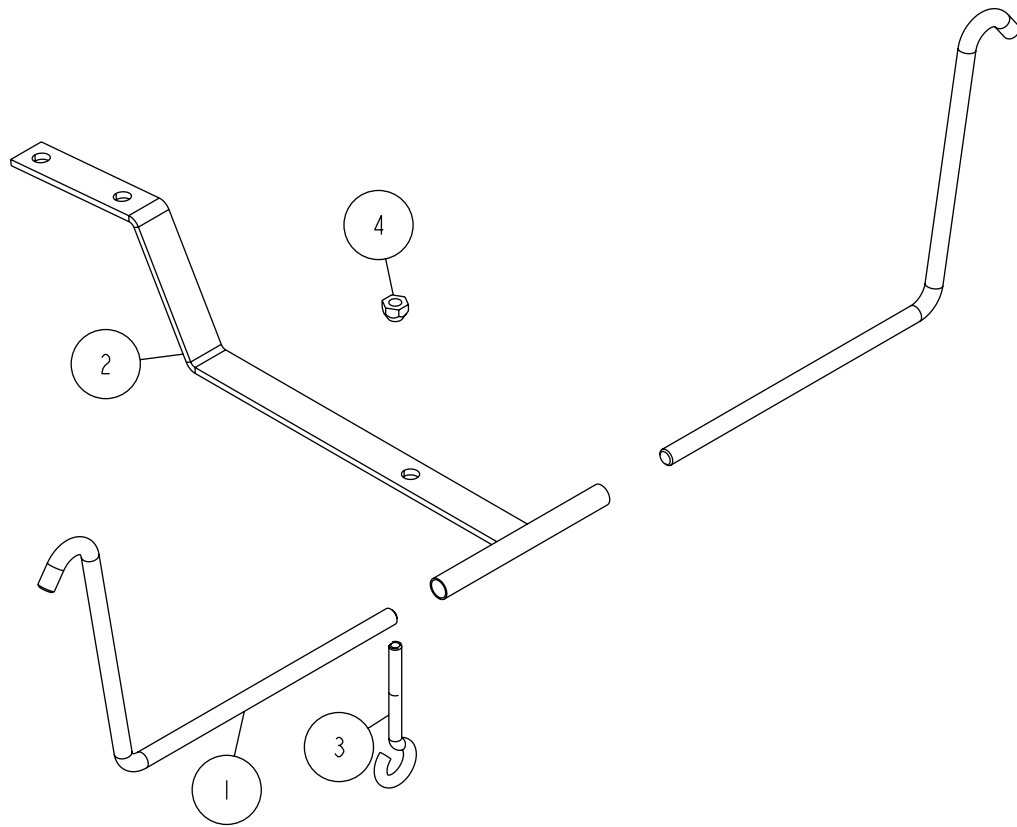
Locate the 1/2" eyebolt. Hook the eye of the U-bolt into the hole provided in the hangar weldment bar. Rotate the eyebolt so the straight portion of the eyebolt is pointing upward.

MOUNTING THE SPARE TIRE INTO THE BASKET

Place the spare tire into the spare tire basket. Align the straight portion of the eyebolt with one of the stud bolt holes in the wheel rim, and then insert it through the hole as the tire and wheel assembly is placed into position in the basket.

Place on the 1/2" fine threaded lug nut provided so the taper is down and mates the rim. Tighten securely so the tire will remain in position during transit.

Assembly is complete.



ITEM	PART #	DESCRIPTION	QTY	NOTE
1	69270	SPARE TIRE HANGER ROD	2	
2	69273	SPARE TIRE SUPPORT BAR WMENT	1	
3	1010085	EYEBOLT 1/2-20 X 6IN W/3/8 OPENING	1	
4	1410229	HEX LUGNUT 1/2-20 13/16 OD Z&U	1	