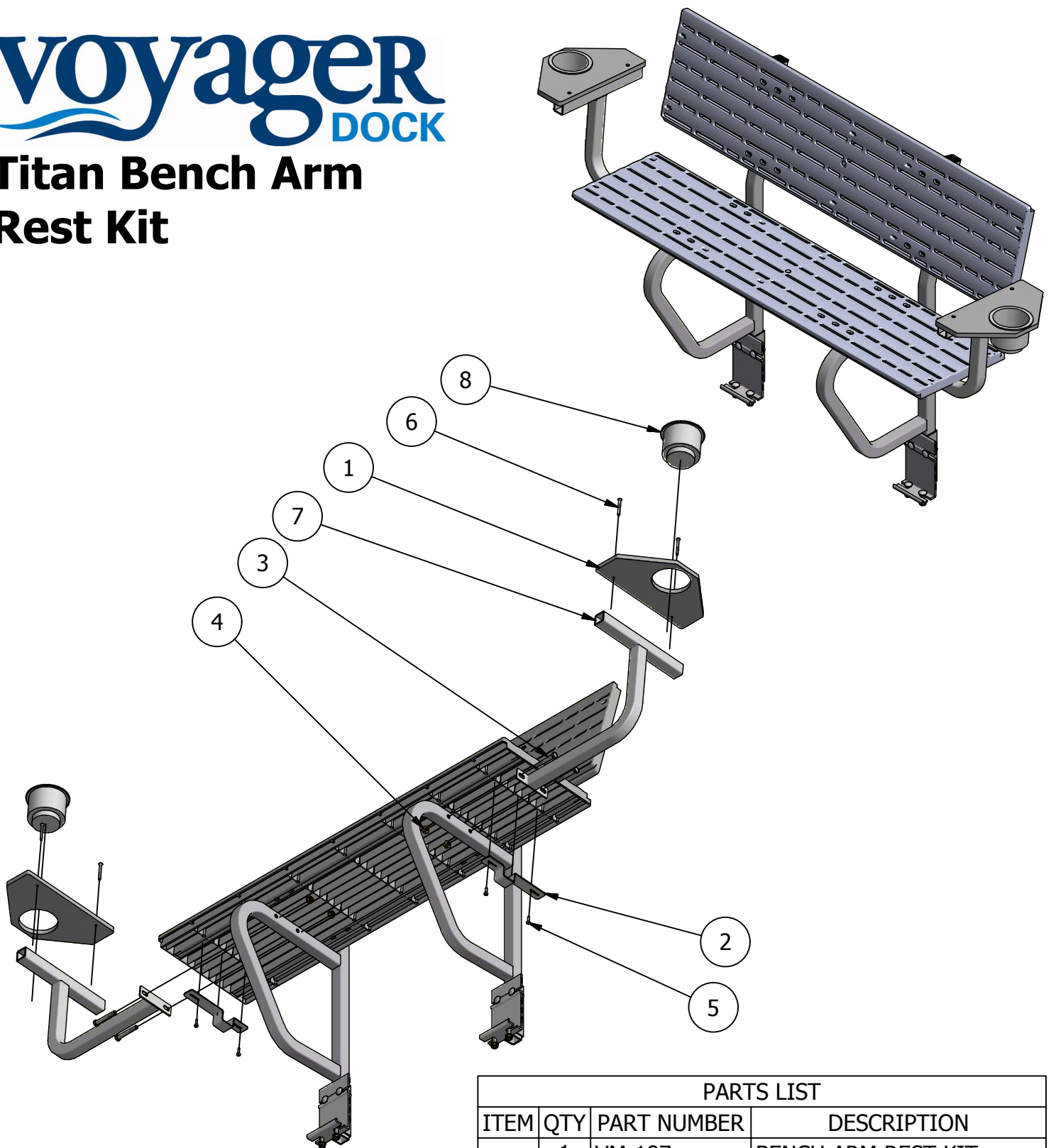
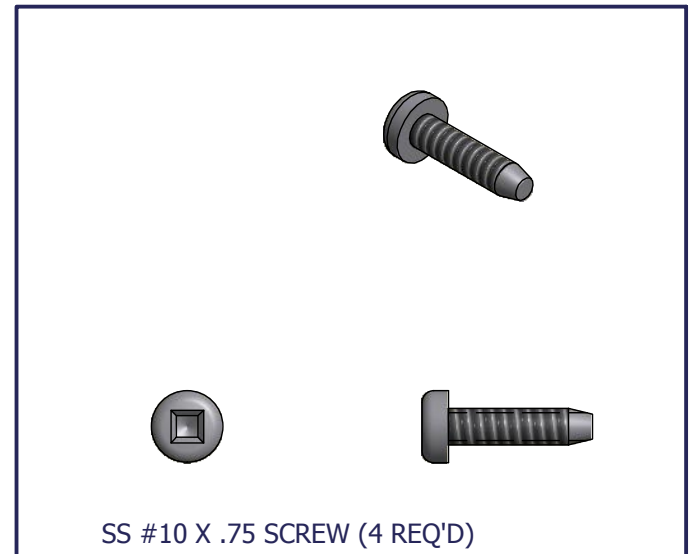
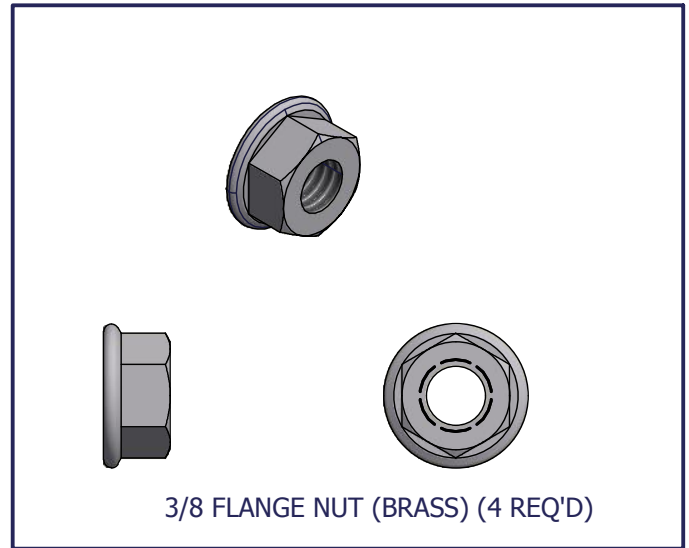
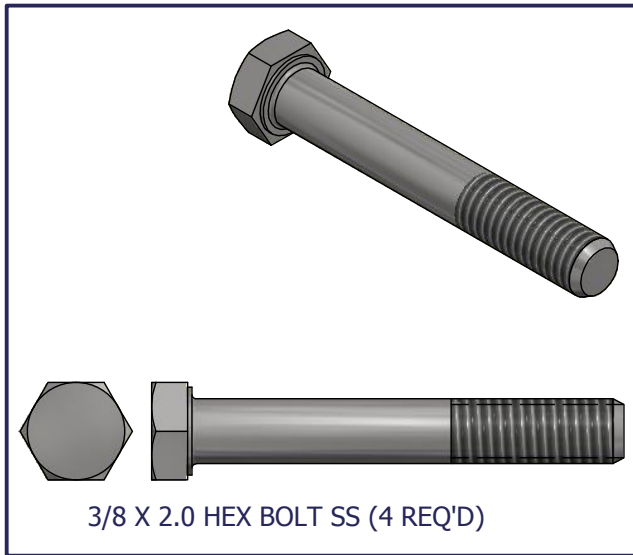


Titan Bench Arm Rest Kit



PARTS LIST			
ITEM	QTY	PART NUMBER	DESCRIPTION
	1	VM-187	BENCH ARM REST KIT
1	2	VM-187-05	ARM REST PAD
2	2	VM-187-03	ARM REST CLAMP
3	4	HD00127	3/8 X 2.0 HEX BOLT SS
4	4	HD-00056	3/8 FLANGE NUT (BRASS)
5	4	HD-00042	SS #10 X .75 SCREW
6	4	HD-00211	SS #10 X 1.25 SELF DRILL
7	2	VM-187-00	ARM REST FRAME
8	2	HD-00201	CUP HOLDER



To insure your safety while assembling your Voyager product:

- Fully read and understand the assembly instructions
- Do not assemble this product if items are missing or damaged
- Wear protective gloves, clothing and eye wear when assembling this product
- Check tightness of all hardware each year to avoid injury

Installation procedure

The following tools will be needed: (2) 9/16” wrenches, screw gun with Phillips and Square bit.

- 1.** Install Arm Rest Frames to Bench Leg Frames with (2) 3/8 x 2.0 Hex Bolts and (2) 3/8 Flange Nuts, finger tighten only. **Per Diagram A.**
- 2.** Attach Arm Rest Clamp to Titan Seat Board securing each Arm Rest Frame with (2) SS #10 x .75 Screws. **Per Diagram B.**
- 3.** Align both Arm Rest Frames for a proper finish and fully tight Bolts and Screws.
- 4.** Attach Arm Rest Pads to Arm Rest Frames with (2) SS #10 x 1.25 Self Drill screws and snap Cup Holders into Arm Rest Pads. **Per Diagram C.**

Diagram A

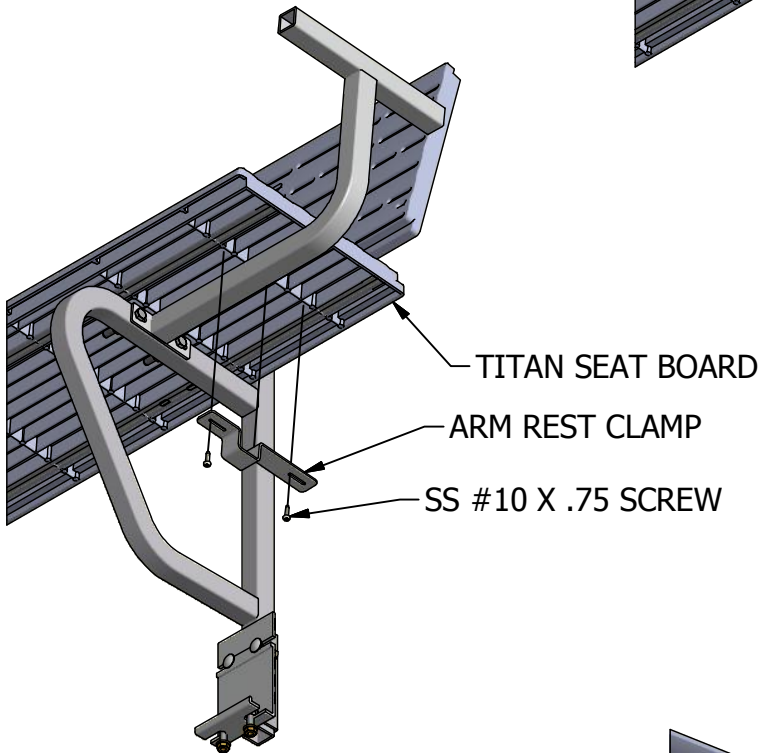
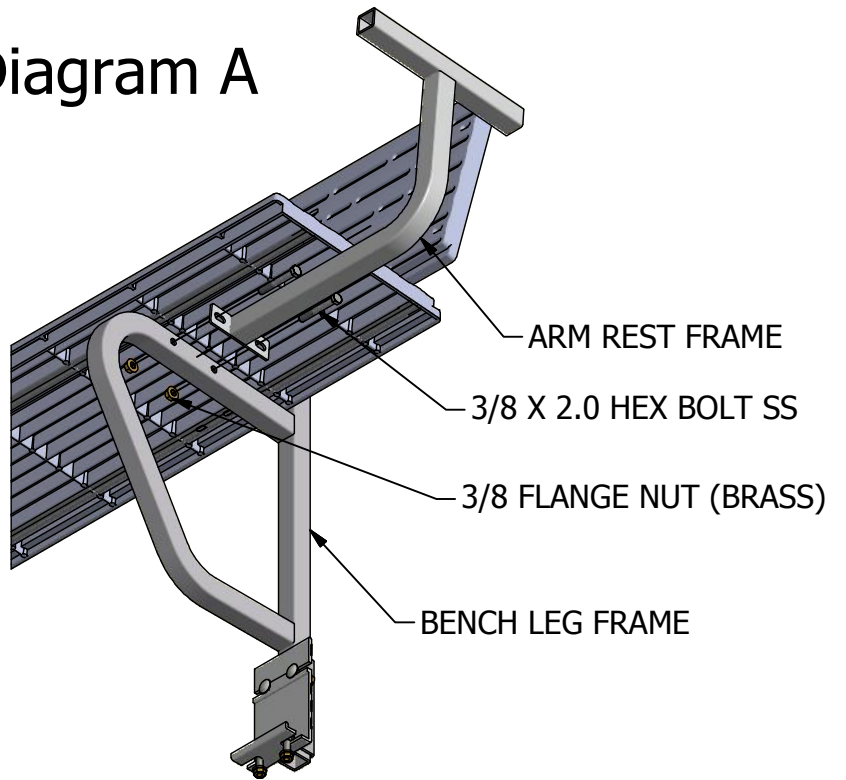


Diagram B

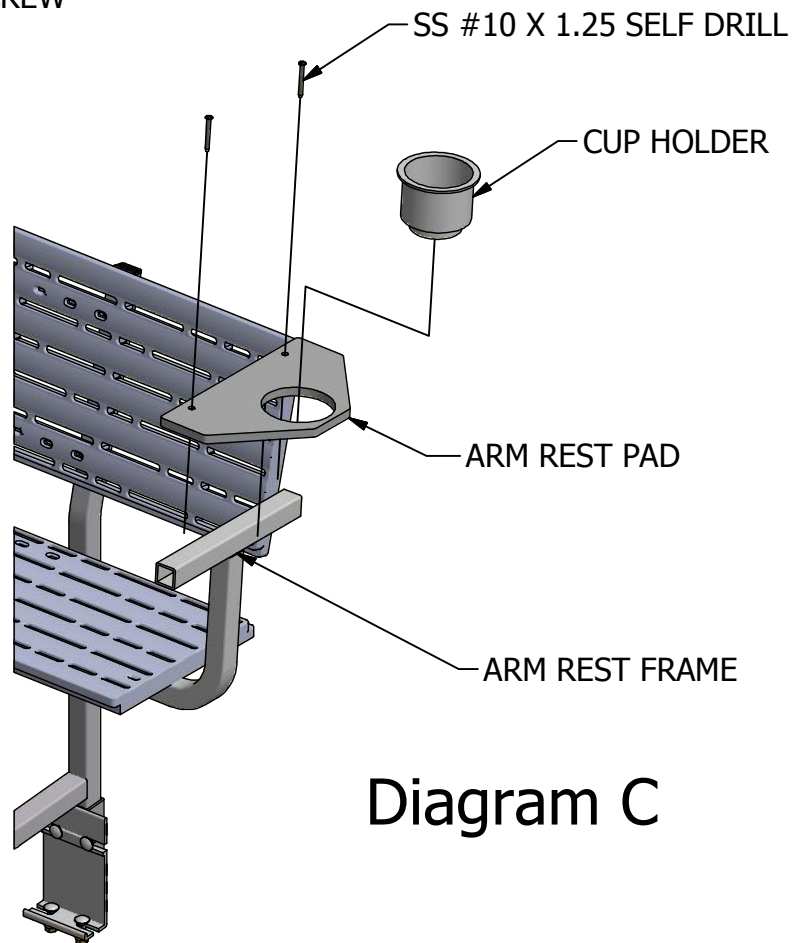


Diagram C