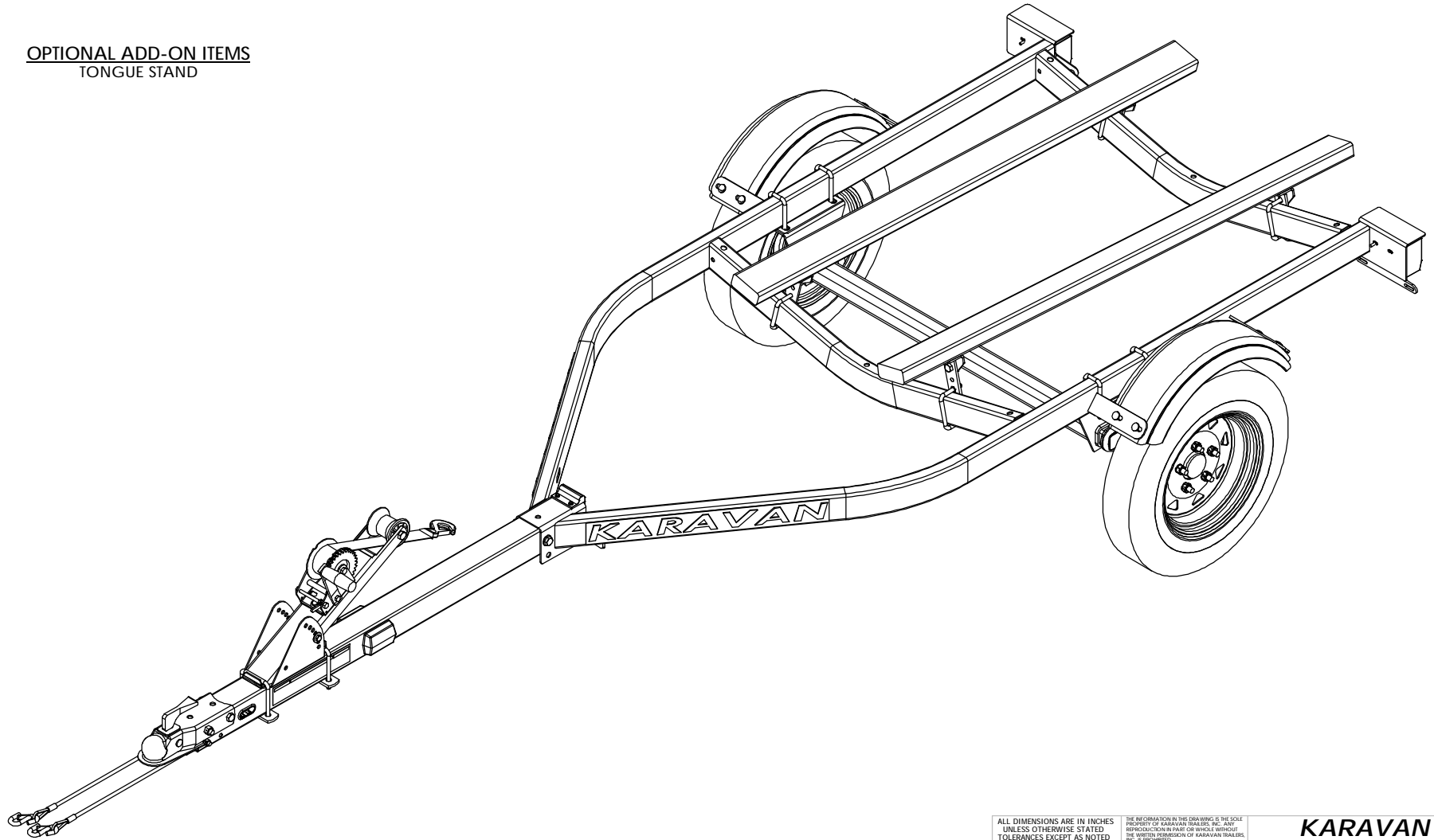


OPTIONAL ADD-ON ITEMS
TONGUE STAND



NOTES:

1.) DRAWING MAY BE SHOWN WITH OPTIONS THAT MAY NOT BE ON ALL TRAILER MODELS.

DWG. REV.	ECR/NDR NUMBER	REVISED BY	DATE	DESCRIPTION
C	15323	LJW	05-19-11	ADDED 200-00036-SP1 (2X)
B	15036	KMH	05-12-11	210-00061 REPLACED 210-00047; 210-00076 REPLACED 210-00048

ALL DIMENSIONS ARE IN INCHES
UNLESS OTHERWISE STATED
TOLERANCES EXCEPT AS NOTED

DECIMALS:
 .X ±0.100
 .XX ±0.060
 .XXX ±0.030
 .XXXX ±0.010

ANGLES:
 ±1°

ALL FORMED ANGLES
 EQUAL 90° UNLESS
 NOTED OTHERWISE

() INDICATES REFERENCE

THE INFORMATION IN THIS DRAWING IS THE SOLE
 PROPERTY OF KARAVAN TRAILERS, INC. ANY
 REPRODUCTION IN PART OR WHOLE WITHOUT
 THE WRITTEN PERMISSION OF KARAVAN TRAILERS,
 INC. IS PROHIBITED.

APPROVED BY:

DRAWN BY:
 C. HALFMANN

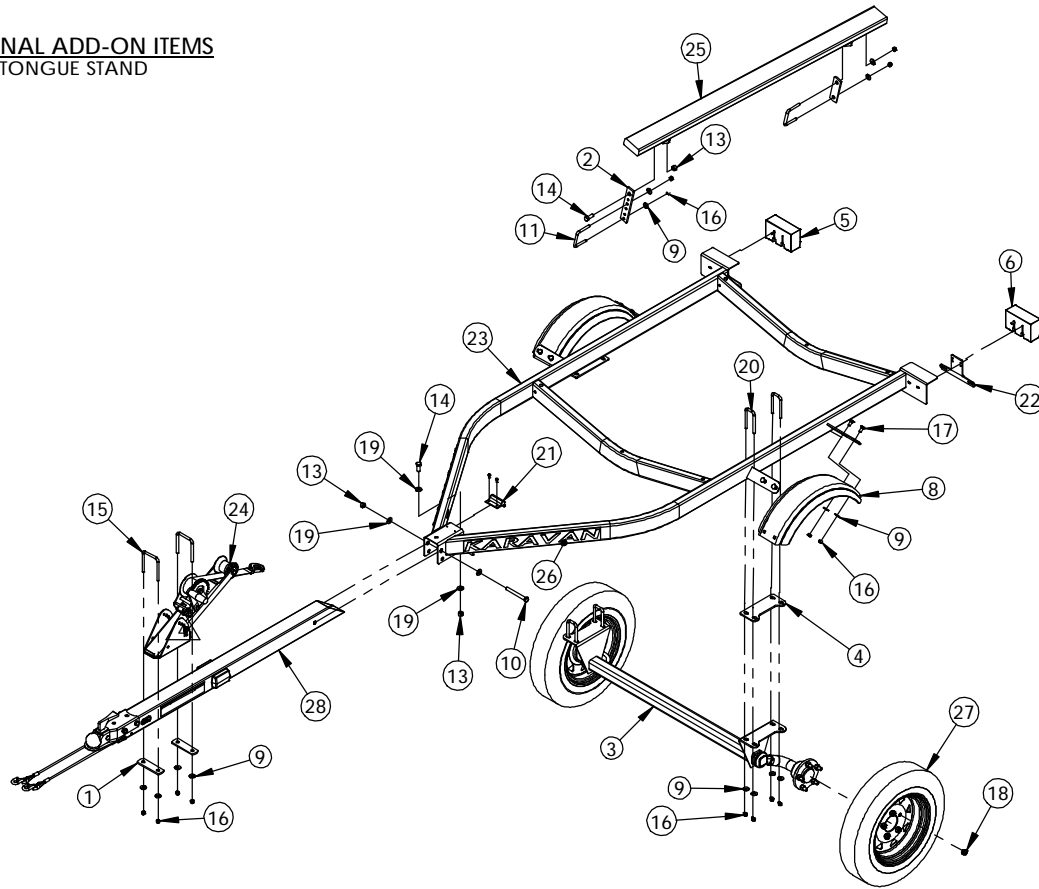
DATE: 09-16-08

SHEET: 1 OF 7

SCALE: N/A

KARAVAN TRAILERS	
TITLE:	WCE-1250-46 W/TORSION AXLE
MAT'L:	SEE B.O.M.
FINISH:	N/A
DWG. #:	WCE-1250-46

OPTIONAL ADD-ON ITEMS
TONGUE STAND



ITEM NO.	SEE NOTES	PART NUMBER	DESCRIPTION	QTY.
1		100-00071	BACKING PLATE	4
2		100-02229	ADJ. BUNK BRACKET	2
3		200-00036	TORSION AXLE - 1479#	1
4		200-00036-SP1	BACKING PLATE	2
5		205-00155	TAIL LIGHT LH	1
6		205-00156	TAIL LIGHT RH	1
7		205-00167	WIRE HARNESS	1
8		206-00039	FENDER	2
9		210-00025	.375" FLAT WASHER	28
10		210-00040	.50"-13 X 4.50" HX HD BOLT	1
11		210-00054	.375"-16 X 3.125" X 2.37" U-BOLT	4
12		210-00057	#10 X .625" HX WSHR HD SCREW	2
13		210-00061	.50"-13 CENTERLOCK HEX NUT	4
14		210-00072	.50"-13 X 1.25" HX HD BOLT	3
15		210-00074	.375"-16 X 3.125" X 4.125" U-BOLT	2
16		210-00076	.375"-16 CENTERLOCK HEX NUT	28
17		210-00132	.375"-16 X .875" CARRIAGE BOLT	8
18		210-00137	.50"-20 X .813" LUG NUT	10
19		210-00240	.50" SAE FLAT WASHER ZINC	4
20		210-00248	.375"-16 X 1.563" X 4.00" U-BOLT	4
21		216-00033	KEEL PROTECTOR	1
22		229-00006	LICENSE PLATE BRACKET	1
23		300-02115	FRAME WELDMENT	1
24		310-01642	WINCH ASSY	1
25		310-01824	BUNK ASSY	2
26			SEE OPTIONS	2
27			SEE OPTIONS	2
28		TONGUE ASSY	SEE OPTIONS	1

NOTE:

- 1.) DRAWING MAY BE SHOWN WITH OPTIONS THAT MAY NOT BE ON ALL TRAILER MODELS.
- 2.) SEE ADD-ON ITEMS AND OPTIONS ON PAGE THREE.
- 3.) SEE ADDITIONAL INSTRUCTIONS ON PAGE FOUR.
- 4.) SEE ADDITIONAL INSTRUCTIONS ON PAGE SEVEN.

C	15323	LJW	05-19-11	ADDED 200-00036-SP1 (2X)
B	15036	KMH	05-12-11	210-00061 REPLACED 210-00047; 210-00076 REPLACED 210-00048
DWG. REV.	ECR/NDR NUMBER	REVISED BY	DATE	DESCRIPTION

ALL DIMENSIONS ARE IN INCHES UNLESS OTHERWISE STATED TOLERANCES EXCEPT AS NOTED
DECIMALS:
.X \$0.100
.XX \$0.060
.XXX \$0.030
.XXXX \$0.010
ANGLES:
\$1*
ALL FORMED ANGLES EQUAL 90° UNLESS NOTED OTHERWISE
() INDICATES REFERENCE

THE INFORMATION IN THIS DRAWING IS THE SOLE PROPERTY OF KARAVAN TRAILERS, INC. ANY REPRODUCTION IN PART OR WHOLE WITHOUT THE WRITTEN PERMISSION OF KARAVAN TRAILERS, INC. IS PROHIBITED.
APPROVED BY: ---
DRAWN BY: C. HALFMANN
DATE: 09-16-08
SHEET: 2 OF 7
SCALE: N/A

KARAVAN
TRAILERS

TITLE: WCE-1250-46
W/TORSION AXLE

MAT'L: SEE B.O.M.

FINISH: N/A

DWG. #: WCE-1250-46

OPTIONS					
WCE-1250-46 4.80 X 12B	WCE-1250-46 W/72" TNG 4.80 X 12B	WCE-1250-46 W/72" TNG 4.80 X 12C	PARTS	WCE-1250-46 W/TNG STAND 4.80 X 12B	TW-WCE-1250-46 W/TNG STAND 4.80 X 12B
234-00060	234-00060	234-00060	LOGO	234-00060	---
220-00018	220-00018	220-00019	TIRES	220-00018	220-00018
310-01803	310-01938	310-01938	TONGUE ASSY	220-02202	310-02202

C	15323	LJW	05-19-11	ADDED 200-00036-SP1 (2X)
B	15036	KMH	05-12-11	210-00061 REPLACED 210-00047; 210-00076 REPLACED 210-00048
DWG. REV.	ECR/NDR NUMBER	REVISED BY	DATE	DESCRIPTION

ALL DIMENSIONS ARE IN INCHES
UNLESS OTHERWISE STATED
TOLERANCES EXCEPT AS NOTED
DECIMALS:
.X ±0.100
.XX ±0.060
.XXX ±0.030
.XXXX ±0.010
ANGLES:
±1°
ALL FORMED ANGLES
EQUAL 90° UNLESS
NOTED OTHERWISE
() INDICATES REFERENCE

THE INFORMATION IN THIS DRAWING IS THE SOLE
PROPERTY OF KARAVAN TRAILERS, INC. ANY
REPRODUCTION IN PART OR WHOLE WITHOUT
THE WRITTEN PERMISSION OF KARAVAN TRAILERS,
INC. IS PROHIBITED.
APPROVED BY: ---
DRAWN BY: C. HALFMANN
DATE: 09-16-08
SHEET: 3 OF 7
SCALE: N/A

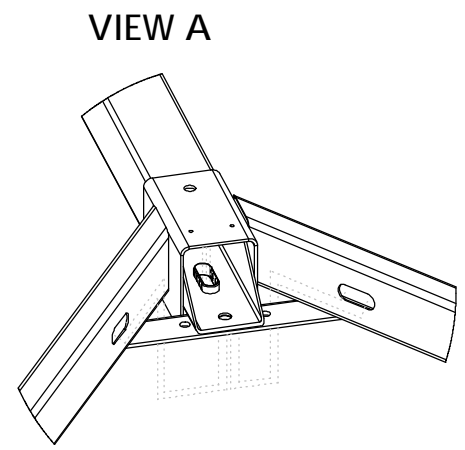
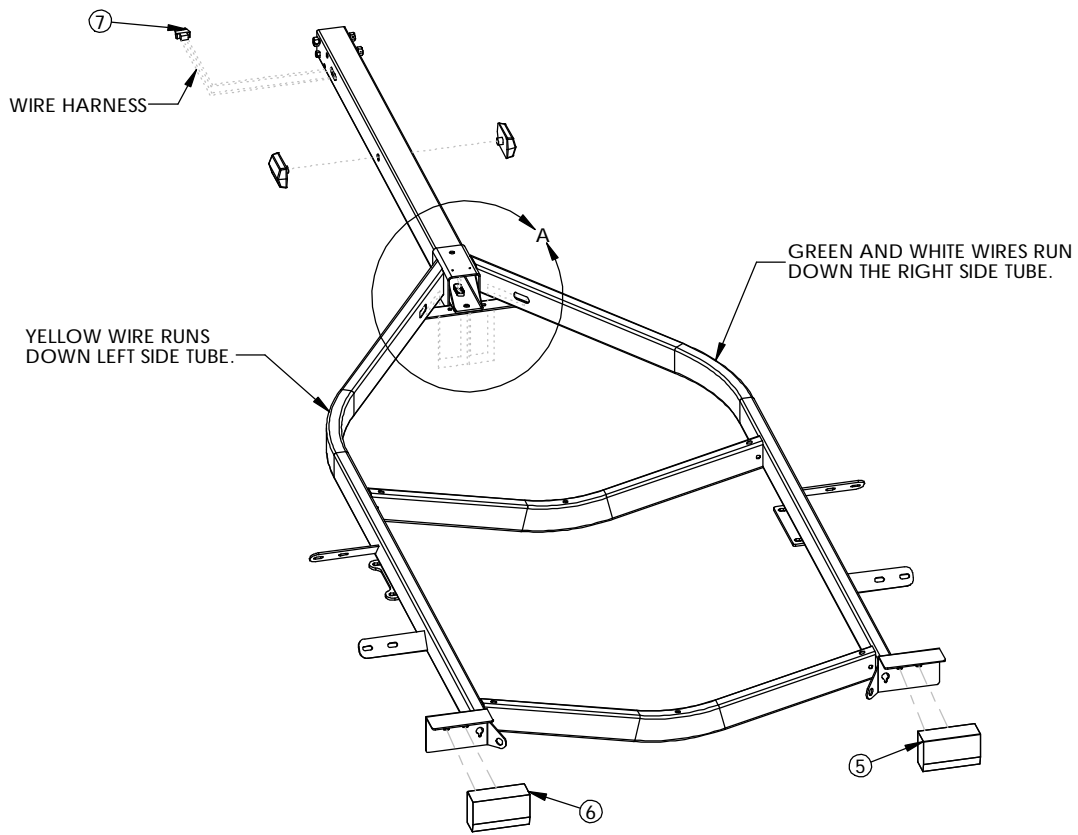
KARAVAN
TRAILERS

TITLE: WCE-1250-46
W/TORSION AXLE

MAT'L: SEE B.O.M.

FINISH: N/A

DWG. #: WCE-1250-46



NOTES:
 5 INSTALL TONGUE PRIOR TO WIRING

C	15323	LJW	05-19-11	ADDED 200-00036-SP1 (2X)
B	15036	KMH	05-12-11	210-00061 REPLACED 210-00047; 210-00076 REPLACED 210-00048
DWG. REV.	ECR/NDR NUMBER	REVISED BY	DATE	DESCRIPTION

ALL DIMENSIONS ARE IN INCHES UNLESS OTHERWISE STATED TOLERANCES EXCEPT AS NOTED

DECIMALS:
 .X ±0.100
 .XX ±0.060
 .XXX ±0.030
 .XXXX ±0.010

ANGLES:
 ±1°

ALL FORMED ANGLES EQUAL 90° UNLESS NOTED OTHERWISE

() INDICATES REFERENCE

THE INFORMATION IN THIS DRAWING IS THE SOLE PROPERTY OF KARAVAN TRAILERS, INC. ANY REPRODUCTION IN PART OR WHOLE WITHOUT THE WRITTEN PERMISSION OF KARAVAN TRAILERS, INC. IS PROHIBITED.

APPROVED BY:

DRAWN BY:
 C. HALFMANN

DATE: 09-16-08

SHEET: 4 OF 7

SCALE: N/A

KARAVAN
 TRAILERS

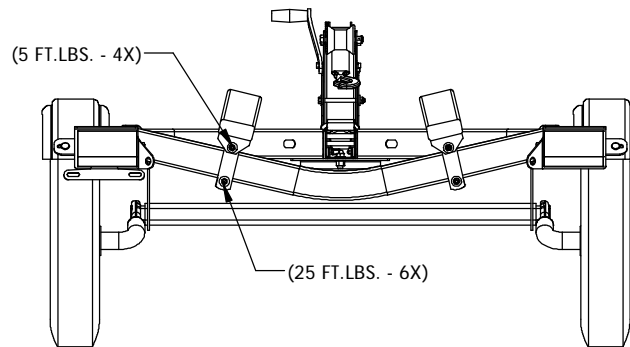
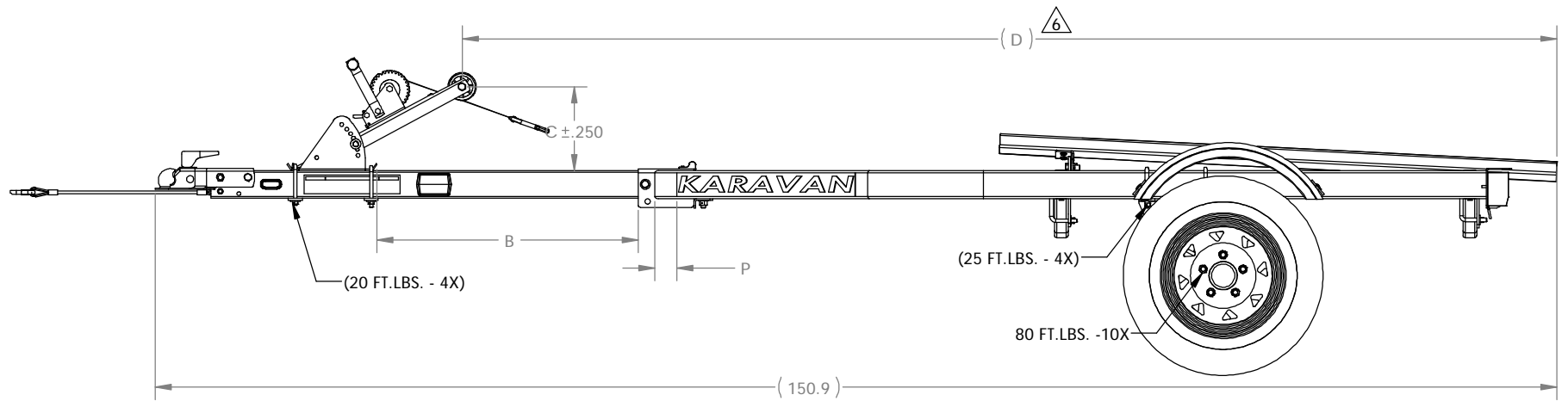
TITLE: WCE-1250-46
 W/TORSION AXLE

MAT'L: SEE B.O.M.

FINISH: N/A

DWG. #: WCE-1250-46

MODEL #	DIMENSIONS			
	"B"	"C"	"D"	"P"
	POST	UP	REF	LOGO
*	28.0	9.0	117.8	10.5



NOTES:

△ DIMENSION TOLERANCE IS ±2.00" DUE TO VARIANCE IN BOW EYE ROLLER HEIGHT.

7.) TORQUE CALLOUTS IN PARENTHESIS ARE FOR REFERENCE. TIGHTEN FASTENERS UNTIL PINCHED TIGHT (DO NOT OVER TIGHTEN BUNK PIVOT POINTS). MINOR DEFLECTION OF MATERIAL IS ACCEPTABLE.

DWG. REV.	ECR/NDR NUMBER	REVISED BY	DATE	DESCRIPTION
C	15323	LJW	05-19-11	ADDED 200-00036-SP1 (2X)
B	15036	KMH	05-12-11	210-00061 REPLACED 210-00047; 210-00076 REPLACED 210-00048

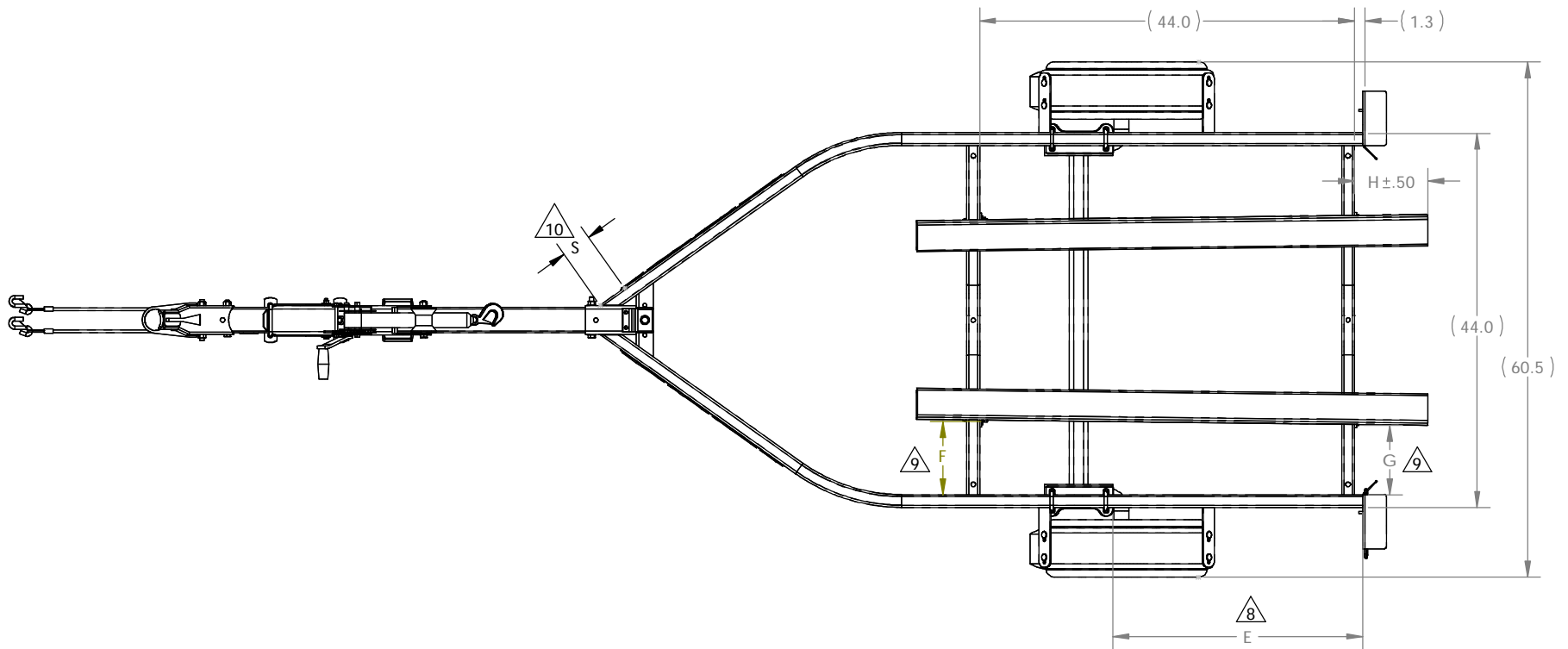
ALL DIMENSIONS ARE IN INCHES UNLESS OTHERWISE STATED TOLERANCES EXCEPT AS NOTED
 DECIMALS:
 .X ±0.100
 .XX ±0.060
 .XXX ±0.030
 .XXXX ±0.010
 ANGLES:
 ±1°
 ALL FORMED ANGLES EQUAL 90° UNLESS NOTED OTHERWISE
 () INDICATES REFERENCE

THE INFORMATION IN THIS DRAWING IS THE SOLE PROPERTY OF KARAVAN TRAILERS, INC. ANY REPRODUCTION IN PART OR WHOLE WITHOUT THE WRITTEN PERMISSION OF KARAVAN TRAILERS, INC. IS PROHIBITED.
 APPROVED BY: ---
 DRAWN BY: C. HALFMANN
 DATE: 09-16-08
 SHEET: 5 OF 7
 SCALE: N/A



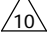
KARAVAN
TRAILERS

TITLE: WCE-1250-46 W/TORSION AXLE
 MAT'L: SEE B.O.M.
 FINISH: N/A
 DWG. #: WCE-1250-46

MODEL #	DIMENSIONS				
	"E"	"F"	"G"	"H"	"S"
	AXLE	FRONT	REAR	BACK	STAMP
*	29.38	8.5	8.0	8.6	3.5



NOTES:

-  DIMENSION IS FROM THE BACK EDGE OF THE AXLE BRACKET TO THE BACK OF THE SIDE TUBE.
-  BUNK LOCATION IS THE DISTANCE FROM THE INSIDE OF THE SIDE TUBE TO THE OUTSIDE EDGE OF THE BUNK MOUNTING BRACKET.
-  DIMENSION INDICATES THE SET LOCATION OF THE RIGHT EDGE OF THE PIN STAMPER.

DWG. REV.	ECR/NDR NUMBER	REVISED BY	DATE	DESCRIPTION
C	15323	LJW	05-19-11	ADDED 200-00036-SP1 (2X)
B	15036	KMH	05-12-11	210-00061 REPLACED 210-00047; 210-00076 REPLACED 210-00048

ALL DIMENSIONS ARE IN INCHES UNLESS OTHERWISE STATED TOLERANCES EXCEPT AS NOTED

DECIMALS:
 .X ±0.100
 .XX ±0.060
 .XXX ±0.030
 .XXXX ±0.010

ANGLES:
 ±1°

ALL FORMED ANGLES EQUAL 90° UNLESS NOTED OTHERWISE

() INDICATES REFERENCE

THE INFORMATION IN THIS DRAWING IS THE SOLE PROPERTY OF KARAVAN TRAILERS, INC. ANY REPRODUCTION IN PART OR WHOLE WITHOUT THE WRITTEN PERMISSION OF KARAVAN TRAILERS, INC. IS PROHIBITED.

APPROVED BY: ---
 DRAWN BY: C. HALFMANN
 DATE: 09-16-08
 SHEET: 6 OF 7
 SCALE: N/A

KARAVAN
TRAILERS

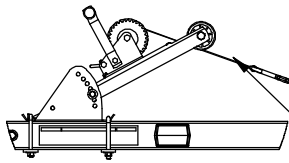
TITLE: WCE-1250-46
W/TORSION AXLE

MAT'L: SEE B.O.M.

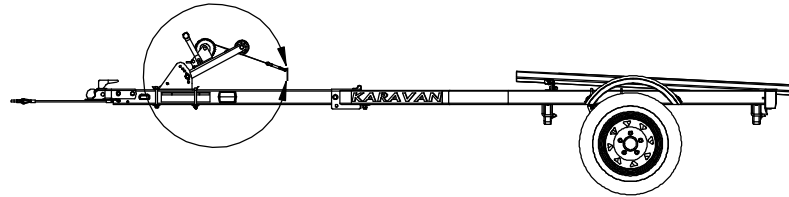
FINISH: N/A

DWG. #: WCE-1250-46

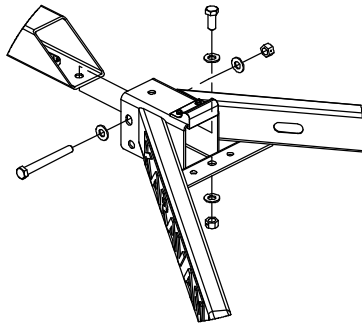
VIEW 1



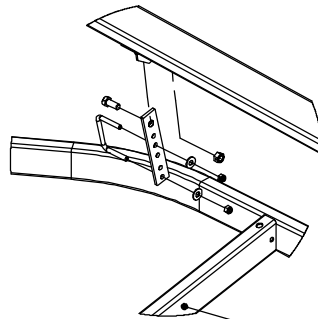
WINCH STRAP WITH HOOK RUNS UNDER THE ROLLER BEFORE HOOKED TO THE BOW EYE OF THE BOAT



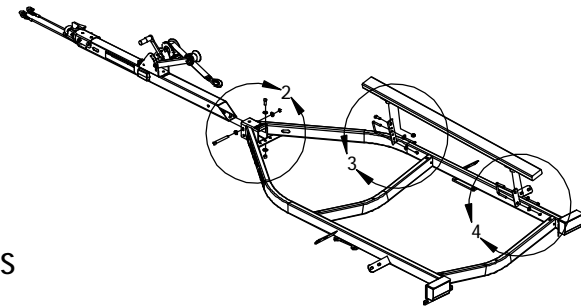
VIEW 2
TONGUE
MOUNTING INSTRUCTIONS



VIEW 3
BUNK MOUNTING INSTRUCTIONS



FRONT CROSSMEMBER



VIEW 4

REAR CROSSMEMBER

ALL DIMENSIONS ARE IN INCHES
UNLESS OTHERWISE STATED
TOLERANCES EXCEPT AS NOTED
DECIMALS:
.X ±0.100
.XX ±0.060
.XXX ±0.030
.XXXX ±0.010
ANGLES:
±1°
ALL FORMED ANGLES
EQUAL 90° UNLESS
NOTED OTHERWISE
() INDICATES REFERENCE

THE INFORMATION IN THIS DRAWING IS THE SOLE
PROPERTY OF KARAVAN TRAILERS, INC. ANY
REPRODUCTION IN PART OR WHOLE WITHOUT
THE WRITTEN PERMISSION OF KARAVAN TRAILERS,
INC. IS PROHIBITED.
APPROVED BY: ---
DRAWN BY:
C. HALFMANN
DATE: 09-16-08
SHEET: 7 OF 7
SCALE: N/A

KARAVAN
TRAILERS

TITLE: WCE-1250-46
W/TORSION AXLE

MAT'L: SEE B.O.M.

FINISH: N/A

DWG. #: WCE-1250-46

DWG. REV.	ECR/NDR NUMBER	REVISED BY	DATE	DESCRIPTION
C	15323	LJW	05-19-11	ADDED 200-00036-SP1 (2X)
B	15036	KMH	05-12-11	210-00061 REPLACED 210-00047; 210-00076 REPLACED 210-00048