

INSTALLATION INSTRUCTIONS:  READ COMPLETELY BEFORE STARTING.

- 1) REMOVE BOTH RAMPS FROM THE FRONT OF THE TRAILER FOR EXTRA ROOM FOR ASSEMBLY.
- 2) LOOSELY PRE-ASSEMBLE RACK WELDMENTS #13 & #14, CROSS WELDMENTS #11 AND SIDE PLATES #12 USING HARDWARE AS SHOWN.
- 3) SET ASSEMBLY ONTO TRAILER DECK APPROXIMATELY 5/8" FROM THE BACK OF THE FRONT DECK EDGE PROTECTOR, WHILE CENTERING HOLES IN RACK FEET OVER OUTERMOST QUICKSLIDES.
- 4) ATTACH ARM WELDMENTS #15 TO FRONT OF RACK WELDMENTS #13 & #14 USING HARDWARE AS SHOWN.
- 5) SWING ARM WELDMENTS TOWARD CENTER OF TRAILER FRAME AND ALIGN HOLES IN ARMS WITH THE CENTER OF THE FRONT RAMP MOUNT TUBES AND MARK. (NOTE: MOVE RACK WELDMENTS FORWARD OR BACK UNTIL THE ARM WELDMENTS JUST TOUCH RAMP MOUNT TUBES.)
- 6) CLAMP ARM WELDMENTS TO RAMP MOUNT TUBES. USING HOLES IN ARM WELDMENTS AS A TEMPLATE, DRILL A 13/32" HOLE THRU BOTH WALLS OF EACH RAMP MOUNT TUBE.
- 7) FASTEN ARM WELDMENTS WITH HARDWARE AS SHOWN.
- 8) SECURELY FASTEN TIRE RACK ASSEMBLY TO TRAILER FRAME USING HARDWARE AS SHOWN.
- 9) SLIDE WHEEL TUBE #10 INTO PLACE. ADJUST SIDE PLATES #12 AND CROSS WELDMENTS #11 TO ACCOMMODATE YOUR SIZE TIRES AND TIGHTEN IN PLACE, ALONG WITH ALL OTHER REMAINING HARDWARE.
- 10) ATTACH DECALS #9 TO SIDES OF TIRE RACK ASSEMBLY AS SHOWN AND RE-ATTACH RAMPS TO FRONT OF TRAILER.

TRITON Customer Instruction Sheet

KIT NO.

13949

DESCRIPTION

REV 0

DATE

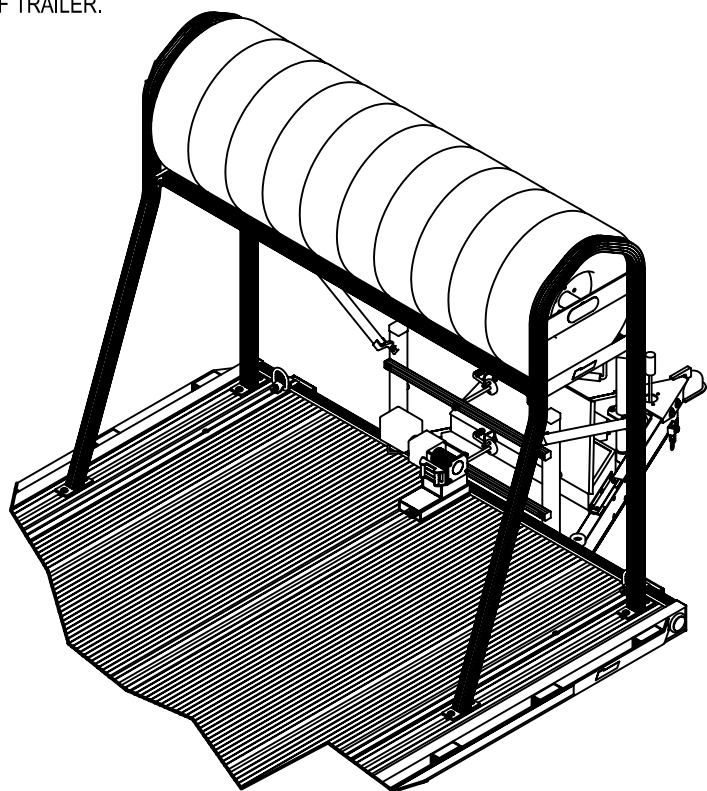
12-1-09

DRAWING NO.

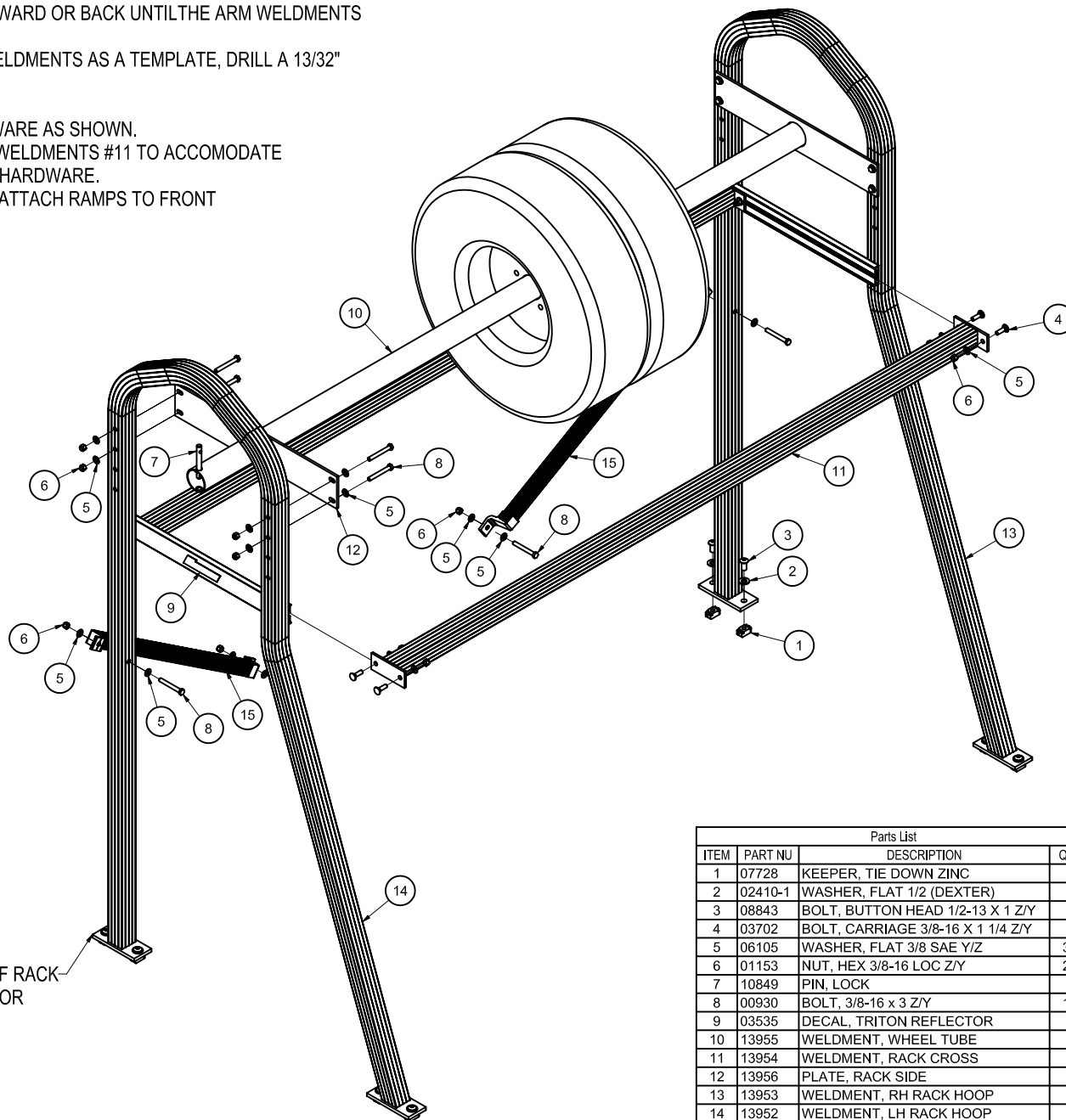
HAULER TIRE RACK

DRAWN BY
L Wagner

13958



ASSEMBLED VIEW



LEAVE APPROXIMATELY 5/8" BETWEEN FRONT OF RACK WELDMENT AND BACK OF DECK EDGE PROTECTOR

Parts List

ITEM	PART NU	DESCRIPTION	QTY
1	07728	KEEPER, TIE DOWN ZINC	8
2	02410-1	WASHER, FLAT 1/2 (DEXTER)	8
3	08843	BOLT, BUTTON HEAD 1/2-13 X 1 Z/Y	8
4	03702	BOLT, CARRIAGE 3/8-16 X 1 1/4 Z/Y	8
5	06105	WASHER, FLAT 3/8 SAE Y/Z	32
6	01153	NUT, HEX 3/8-16 LOC Z/Y	20
7	10849	PIN, LOCK	1
8	00930	BOLT, 3/8-16 x 3 Z/Y	12
9	03535	DECAL, TRITON REFLECTOR	2
10	13955	WELDMENT, WHEEL TUBE	1
11	13954	WELDMENT, RACK CROSS	2
12	13956	PLATE, RACK SIDE	2
13	13953	WELDMENT, RH RACK HOOP	1
14	13952	WELDMENT, LH RACK HOOP	1
15	10407	WELDMENT, RAMP ARM	2