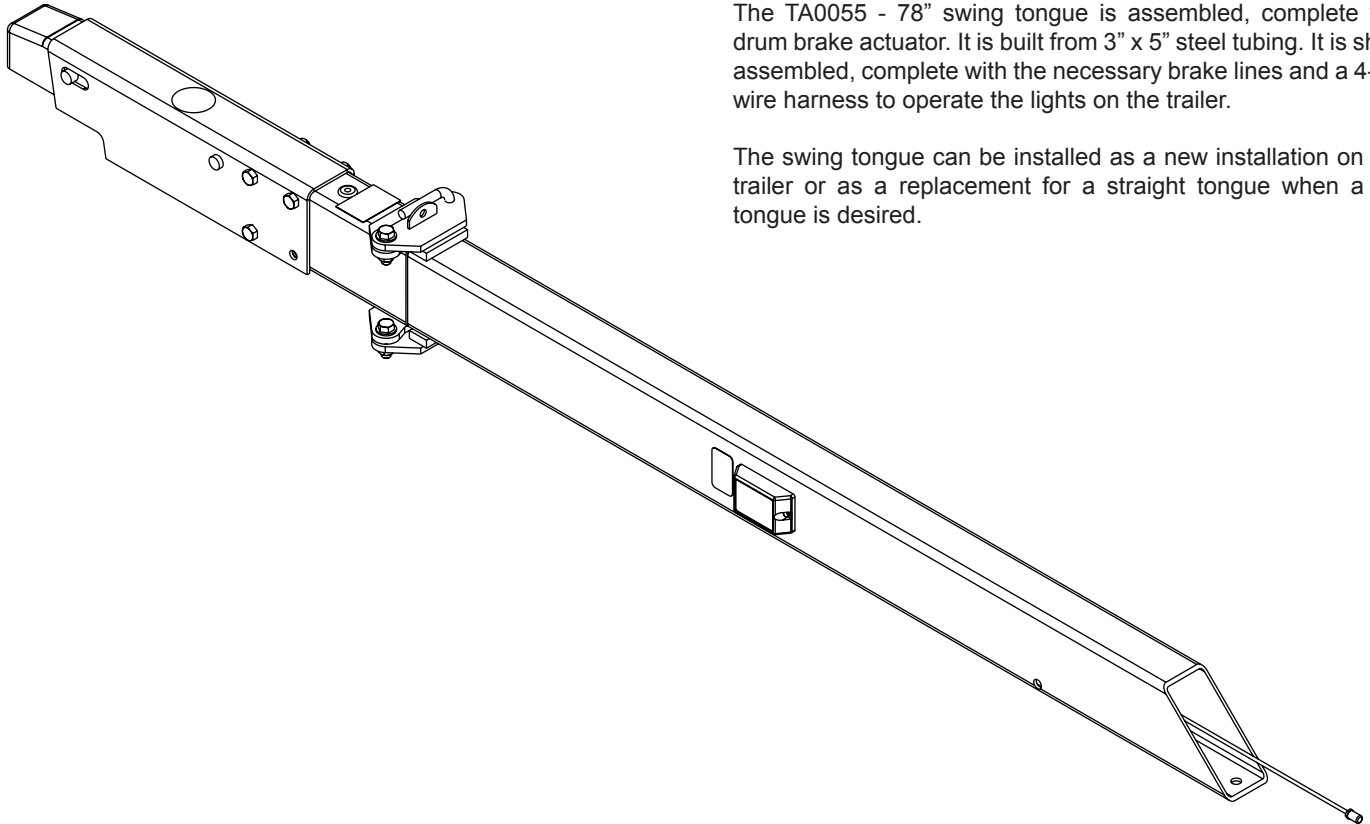
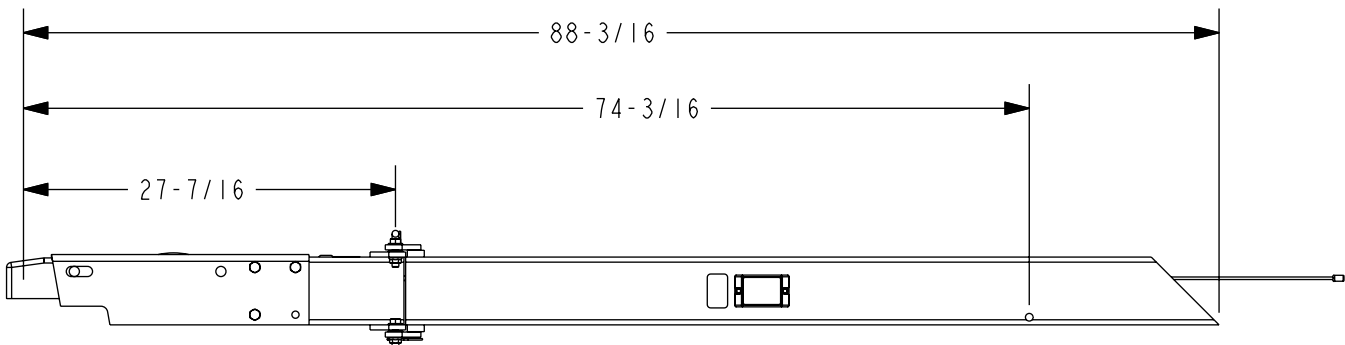


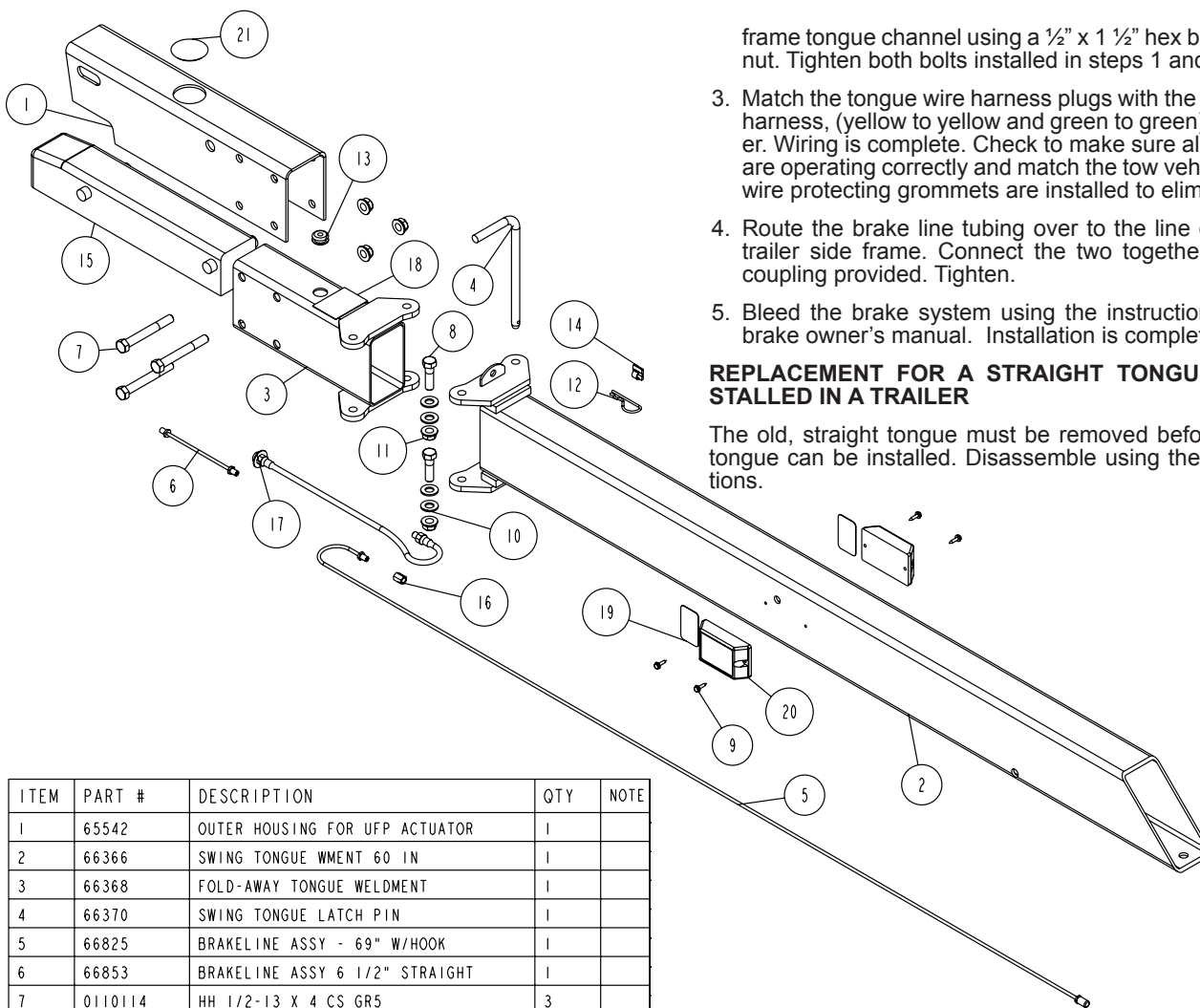
TA0055 Swing Tongue Assembly 78" Drum Brake 3X5 Tongue



The TA0055 - 78" swing tongue is assembled, complete with a drum brake actuator. It is built from 3" x 5" steel tubing. It is shipped assembled, complete with the necessary brake lines and a 4-prong wire harness to operate the lights on the trailer.

The swing tongue can be installed as a new installation on a new trailer or as a replacement for a straight tongue when a swing tongue is desired.





ITEM	PART #	DESCRIPTION	QTY	NOTE
1	65542	OUTER HOUSING FOR UFP ACTUATOR	1	
2	66366	SWING TONGUE WMENT 60 IN	1	
3	66368	FOLD-AWAY TONGUE WELDMENT	1	
4	66370	SWING TONGUE LATCH PIN	1	
5	66825	BRAKELINE ASSY - 69" W/HOOK	1	
6	66853	BRAKELINE ASSY 6 1/2" STRAIGHT	1	
7	0110114	HH 1/2-13 X 4 CS GR5	3	
8	0140096	HH 1/2-13 X 1 3/4 CS GR5	2	
9	0810925	SCREW SELFDRIILL HWH #10-16 X 3/4	4	
10	1340100	WASHER USS FLAT 1/2	4	
11	1440102	HEX LOCKNUT FLANGE 1/2-13 W/T&T	5	
12	1540305	HAIRPIN COTTER #9 ZP	1	
13	3510030	GROMMET 7/8IN MOLDED	1	
14	3510169	WIRE CLIP ADHESIVE BACK	1	
15	3991014	ACTUATOR UFP INNER DRUM BRAKE	1	
16	4510505	COUPLING - NO.302X3 WTHR-HD TUBE	1	
17	4510511	HOSE - 18IN MALE-FEMALE BRAKE	1	
-	4811471	DECAL CAUTION BRAKE LOCKOUT KEY	1	
-	4850182	DECAL SWINGTONGUE INSTRUCTION	1	
-	4850183	DECAL SWINGTONGUE PINCH POINT	1	
-	4850184	DECAL FOR COATED UFP ACTUATOR	1	
18	4850412	DECAL WARNING CAPACITY SWING TONGUE	1	
19	5110127	REFLECTOR ANDERSON AMBER	2	
-	5110318	HARNESSTONGUE 9FT	1	
20	5110456	LIGHT AMBER SIDE MARKER 42IN WI	2	
-	5110512	JUMPER WIRE TRIPLE DO-RAY	1	
21	7010168	CAP PLASTIC OUTER MEMBER 2IN DI	1	
-	7010188	DECAL PUSH BRKT UFP ACTUATORS	1	

NEW TRAILER INSTALLATION

1. Locate the swing tongue. Insert it into the front of the frame tongue channel until the front cross-hole lines with the drilled hole in the tongue. Insert a 1/2" x 4" hex bolt and secure with a 1/2" flange lock nut. The mounting bolts are supplied in the trailer hardware.
2. Pull the wire harness out the rear of the tongue with the brake line tubing. Route them both through the hole in the tongue cover. Secure the tongue cover and the rear of the tongue to the

frame tongue channel using a 1/2" x 1 1/2" hex bolt and flange lock nut. Tighten both bolts installed in steps 1 and 2.

3. Match the tongue wire harness plugs with the wires of the frame harness, (yellow to yellow and green to green) then plug together. Wiring is complete. Check to make sure all lighting functions are operating correctly and match the tow vehicle. Make sure all wire protecting grommets are installed to eliminate abrasion.
4. Route the brake line tubing over to the line coming out of the trailer side frame. Connect the two together using the brass coupling provided. Tighten.
5. Bleed the brake system using the instructions outlined in the brake owner's manual. Installation is complete.

REPLACEMENT FOR A STRAIGHT TONGUE ALREADY INSTALLED IN A TRAILER

The old, straight tongue must be removed before the new swing tongue can be installed. Disassemble using the following instructions.

1. Measure the distance between the winch post base and the frame tongue channel. The winch post will be mounted the same distance from the frame tongue channel once the new swing tongue is installed.
2. Remove the winch post from the straight tongue.
3. Locate the plugs that connect the side frame harnesses to the tongue harness. They can be located either inside the tongue or else inside the side frames. Unplug the plugs so the tongue can be removed.
4. Disconnect the tongue brake line from the side frame brake line by disconnecting at the brass coupling. The brass coupling will be reused to connect the brake line from the new swing tongue. There will be some brake fluid loss when disconnecting but the complete system will have to be re-bled after the new swing tongue is installed.
5. Loosen the 1/2" x 1 1/2" bolt securing the rear of the tongue to the frame. Remove the bolt completely. Loosen and remove the 1/2" x 4" hex bolt securing the tongue to the front of the frame tongue channel. Note that the two mounting bolts just removed will be used to mount the new swing tongue into the frame tongue channel.
6. Slide the complete tongue assembly out the front of the tongue channel.

INSTALLING THE NEW SWING TONGUE

1. Install the new swing tongue using the instructions above for a new trailer installation.
2. Once the swing tongue is installed, reattach the winch post the same distance from the front of the frame tongue channel as it was installed on the straight tongue.