

INSTALLATION INSTRUCTIONS:  READ COMPLETELY BEFORE STARTING.

- 1) LOCATE RAMP MOUNT ASSEMBLY (#1) AGAINST BOTTOM OF REAR CROSSMEMBER LIP AND 4 5/16 FROM MAIN FLAT OF FRAME SIDE RAIL, AS SHOWN IN BRACKET LOCATION DETAIL. CLAMP INTO PLACE. REPEAT FOR OTHER SIDE.
 - 2) USING RAMP MOUNT ASSEMBLY AS A TEMPLATE, DRILL (4) 13/32 HOLES THROUGH BOTH WALLS OF REAR CROSSMEMBER ON EACH SIDE. NOTE: TAKE CAUTION NOT TO CHAFE WIRE HARNESS INSULATION.
 - 3) BOLT BOTH RAMP MOUNT ASSEMBLIES (#1) AND RAMP MOUNT BACKER PLATES (#2) TO REAR CROSSMEMBER USING HARDWARE AS SHOWN.
 - 4) REMOVE TRAILER STABILIZER JACKS AND JACK PINS. GRIND OR SAND APPROXIMATELY 5/16" BEVEL ON TOP EDGE OF FRAME SIDE RAIL FOR ADDED RAMP CLEARANCE.
 - 5) ATTACH BI-FOLD RAMP ASSEMBLY (#4) TO RAMP MOUNT ASSEMBLIES (#1) USING HARDWARE AS SHOWN.
 - 6) ATTACH SWIVEL ARM ASSEMBLIES (#3) TO EXISTING HOLE IN POCKET FOR JACK PINS USING HARDWARE AS SHOWN. NOTE: JUST ENOUGH TENSION SHOULD BE PUT ON BOLTS TO ALLOW ARMS TO STAY WHERE PLACED.
 - 7) FOLD RAMP AND LIFT INTO POSITION WHILE SWIVELING RAMP ARM INTO PLACE. INSERT PLASTIC MALE END INTO FEMALE RUBBER CUP. STRETCH RUBBER SAFETY CORD OVER NUT ON SWIVEL ARM.
- REPEAT FOR OTHER SIDE.

TRITON Customer Instruction Sheet

KIT NO.

13950

DESCRIPTION

REV 0

DATE

9-16-09

DRAWING NO.

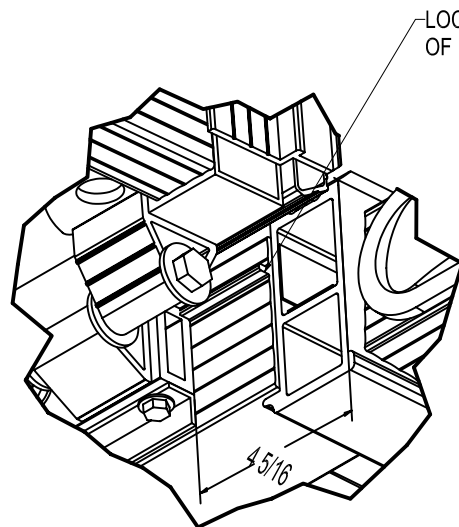
HAULER BI-FOLD RAMP

DRAWN BY
L Wagner

13942

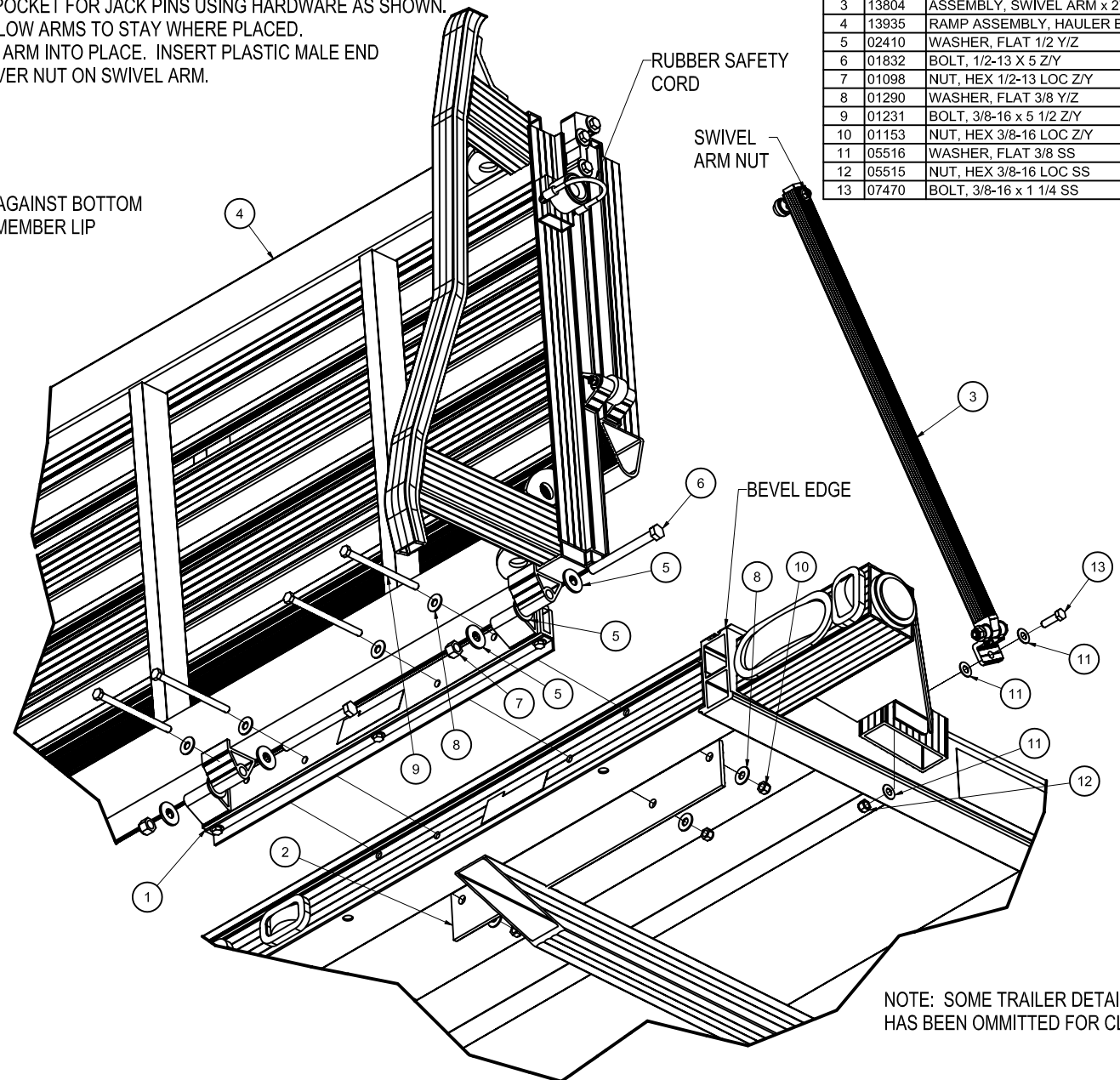
Parts List

ITEM	PART NU	DESCRIPTION	QTY
1	13940	ASSEMBLY, RAMP MOUNT	2
2	13936	PLATE, RAMP MOUNT BACKER	2
3	13804	ASSEMBLY, SWIVEL ARM x 27	2
4	13935	RAMP ASSEMBLY, HAULER BI-FOLD	1
5	02410	WASHER, FLAT 1/2 Y/Z	12
6	01832	BOLT, 1/2-13 X 5 Z/Y	4
7	01098	NUT, HEX 1/2-13 LOC Z/Y	4
8	01290	WASHER, FLAT 3/8 Y/Z	16
9	01231	BOLT, 3/8-16 x 5 1/2 Z/Y	8
10	01153	NUT, HEX 3/8-16 LOC Z/Y	8
11	05516	WASHER, FLAT 3/8 SS	6
12	05515	NUT, HEX 3/8-16 LOC SS	2
13	07470	BOLT, 3/8-16 x 1 1/4 SS	2



BRACKET LOCATION DETAIL

LOCATE ITEM #1 AGAINST BOTTOM OF REAR CROSSMEMBER LIP



NOTE: SOME TRAILER DETAIL HAS BEEN OMITTED FOR CLARITY