

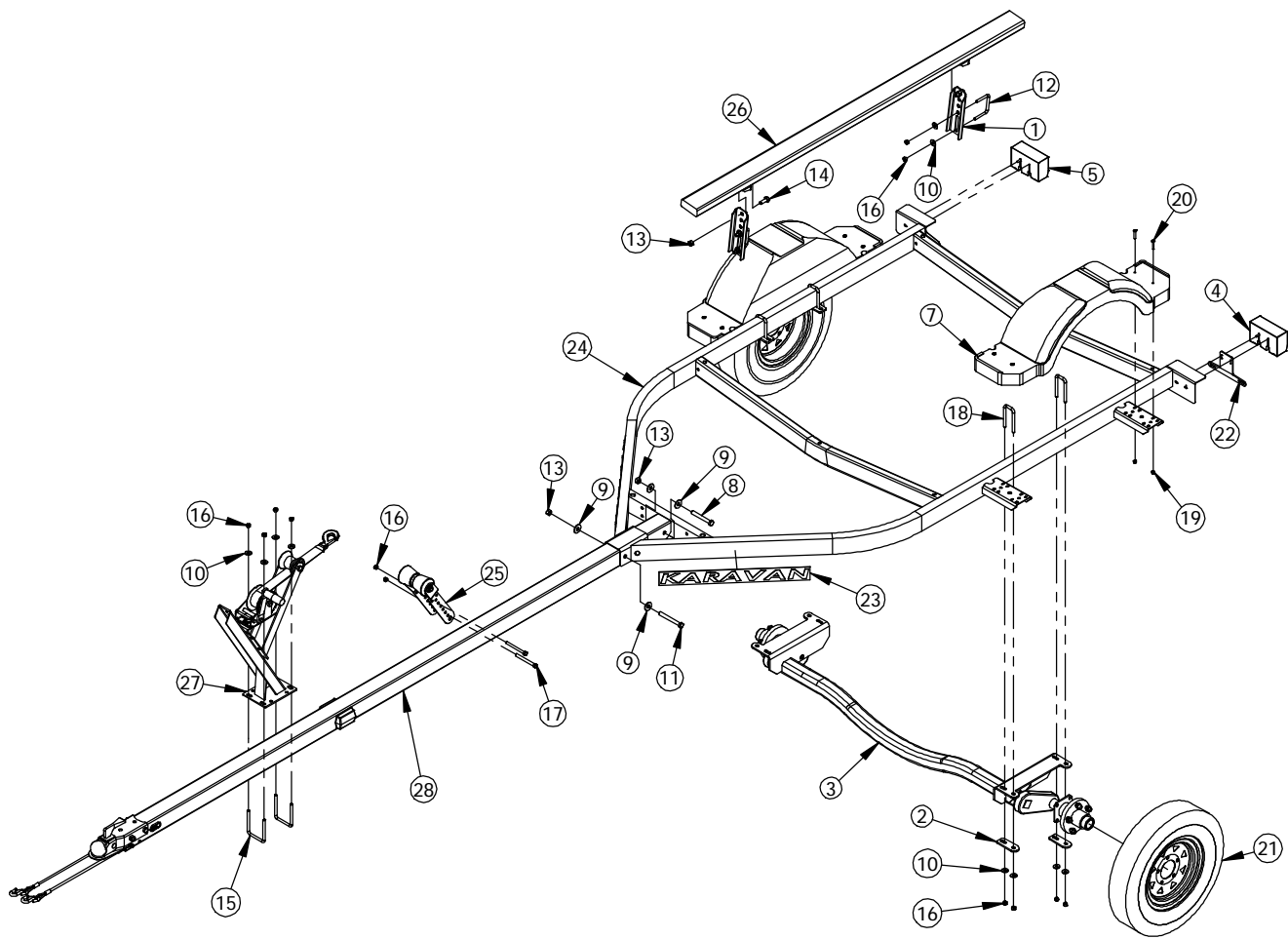
D	15342	MJH	03-08-12	(8)210-00340 AND (8)210-00384 REPLACED 2(16)210-00268; UPDATED DIMENSIONS ON PAGES 5 AND 6.
C	15447	LJW	01-19-12	UPDATED OPTIONS PAGE 3
DWG. REV.	ECR/NDR NUMBER	REVISED BY	DATE	DESCRIPTION

ALL DIMENSIONS ARE IN INCHES  
UNLESS OTHERWISE STATED  
TOLERANCES EXCEPT AS NOTED  
DECIMALS:  
.X ±0.100  
.XX ±0.060  
.XXX ±0.030  
.XXXX ±0.010  
ANGLES:  
±1°  
ALL FORMED ANGLES  
EQUAL 90° UNLESS  
NOTED OTHERWISE  
( ) INDICATES REFERENCE

THE INFORMATION IN THIS DRAWING IS THE SOLE  
PROPERTY OF KARAVAN TRAILERS, INC. ANY  
REPRODUCTION IN PART OR WHOLE WITHOUT  
THE WRITTEN PERMISSION OF KARAVAN TRAILERS,  
INC. IS PROHIBITED.  
APPROVED BY: ---  
DRAWN BY: KAY HOPF  
DATE: 04-22-10  
SHEET: 1 OF 7  
SCALE: N/A

**KARAVAN**  
TRAILERS  
TITLE: KB-1250-56 TORSION  
MAT'L: SEE B.O.M.  
FINISH: N/A  
DWG. #: KB-1250-56-TORSION

ITEM NO.	SEE NOTES	PART NUMBER	DESCRIPTION	QTY.
1		100-00015	BUNK BRACKET	4
2		100-03741	BACKING PLATE	4
3		200-00049	TORSION AXLE 2100#	1
4	2	205-00155	TAIL LIGHT LH	1
5	2	205-00156	TAIL LIGHT RH	1
6	2	205-00168	WIRE HARNESS	1
7		206-00056	FENDER	2
8		210-00014	.50"-13 X 4.00" HX HD BOLT	1
9		210-00017	.50" FLAT WASHER	4
10		210-00025	.375" FLAT WASHER	20
11		210-00040	.50"-13 X 4.50" HX HD BOLT	1
12		210-00054	.375"-16 X 3.125" X 2.37" U-BOLT	4
13		210-00061	.50"-13 CENTERLOCK HEX NUT	6
14		210-00072	.50"-13 X 1.25" HX HD BOLT	4
15		210-00074	.375"-16 X 3.125" X 4.125" U-BOLT	2
16		210-00076	.375"-16 CENTERLOCK HEX NUT	22
17		210-00080	.375"-16 X 4.00" HX HD BOLT	2
18		210-00248	.375"-16 X 1.563" X 4.00" U-BOLT	4
19		210-00340	.250"-20 NYLOCK HEX NUT	8
20		210-00384	SCREW 6 LOBE TRUSS HD 1/4"-20 X 1-1/2"	8
21		220-00044	5-HOLE TIRE & RIM	2
22		229-00006	LICENSE PLATE BRACKET	1
23		234-00060	LOGO	2
24	1	300-02139	FRAME WELDMENT	1
25	3	310-00324	ROLLER ASSY	1
26		310-01518	BUNK ASSEMBLY	2
27	3	310-01692	WINCH ASSY	1
28	3	310-02568	TONGUE ASSY	1



- NOTE:
- 1.) SEE ADDITIONAL OPTIONS ON PAGE THREE.
  - 2.) SEE ADDITIONAL INSTRUCTIONS ON PAGE FOUR.
  - 3.) SEE ADDITIONAL INSTRUCTIONS ON PAGE SEVEN.

D	15342	MJH	03-08-12	(8)210-00340 AND (8)210-00384 REPLACED 2(16)210-00268; UPDATED DIMENSIONS ON PAGES 5 AND 6.
C	15447	LJW	01-19-12	UPDATED OPTIONS PAGE 3
DWG. REV.	ECR/NDR NUMBER	REVISED BY	DATE	DESCRIPTION

ALL DIMENSIONS ARE IN INCHES UNLESS OTHERWISE STATED TOLERANCES EXCEPT AS NOTED

DECIMALS:  
 .X ±0.100  
 .XX ±0.060  
 .XXX ±0.030  
 .XXXX ±0.010

ANGLES:  
 ±1°

ALL FORMED ANGLES EQUAL 90° UNLESS NOTED OTHERWISE

( ) INDICATES REFERENCE

THE INFORMATION IN THIS DRAWING IS THE SOLE PROPERTY OF KARAVAN TRAILERS, INC. ANY REPRODUCTION IN PART OR WHOLE WITHOUT THE WRITTEN PERMISSION OF KARAVAN TRAILERS, INC. IS PROHIBITED.

APPROVED BY: ---

DRAWN BY: KAY HOPF

DATE: 04-22-10

SHEET: 2 OF 7

SCALE: N/A

**KARAVAN TRAILERS**

TITLE: KB-1250-56 TORSION

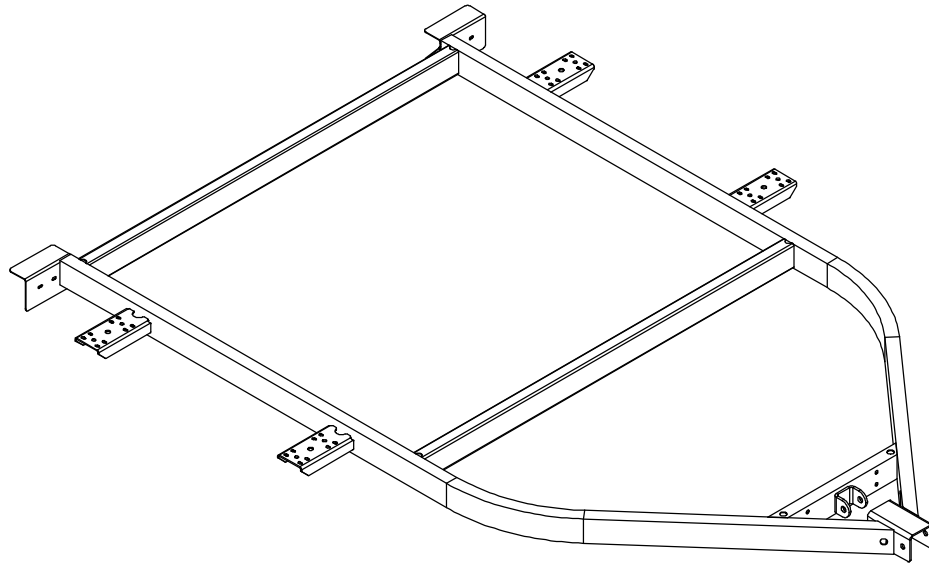
MAT'L: SEE B.O.M.

FINISH: N/A

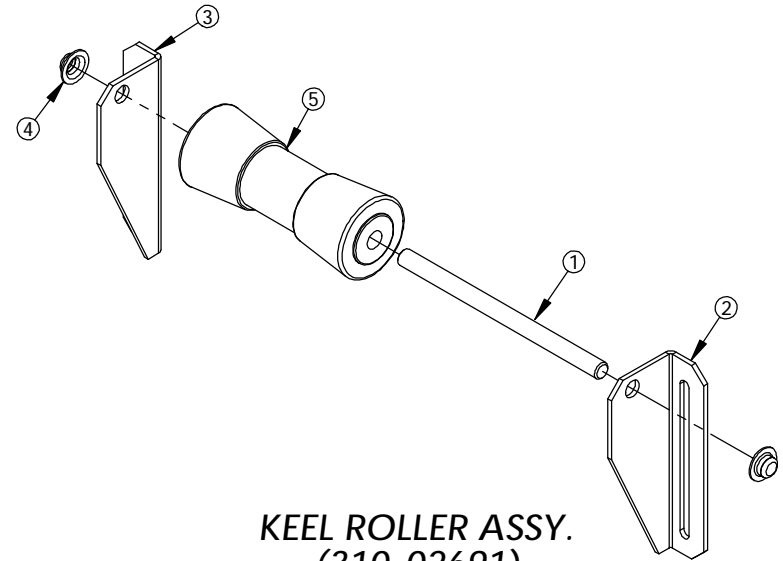
DWG. #: KB-1250-56-TORSION

## TRAILER OPTIONS

ITEM NO.	PART NUMBER	DESCRIPTION	QTY.
1	100-00101	ROLLER ROD	1
2	100-03888	KEEL ROLLER BRACKET R.H.	1
3	100-03889	KEEL ROLLER BRACKET L.H.	1
4	210-00067	.625" PAL NUT	2
5	216-00031	KEEL ROLLER	1



**FLAT CROSS MEMBER FRAME  
(300-02193)**



**KEEL ROLLER ASSY.  
(310-02691)**

**NOTES:**

- 4.) REFER TO THE B.O.M ABOVE OPTIONAL COMPONENT FOR MOUNTING HARDWARE AND COMPONENT.

DWG. REV.	ECR/NDR NUMBER	REVISED BY	DATE	DESCRIPTION
D	15342	MJH	03-08-12	(8)210-00340 AND (8)210-00384 REPLACED 2(16)210-00268; UPDATED DIMENSIONS ON PAGES 5 AND 6.
C	15447	LJW	01-19-12	UPDATED OPTIONS PAGE 3

ALL DIMENSIONS ARE IN INCHES UNLESS OTHERWISE STATED TOLERANCES EXCEPT AS NOTED

DECIMALS:  
 .X ±0.100  
 .XX ±0.060  
 .XXX ±0.030  
 .XXXX ±0.010

ANGLES:  
 ±1°

ALL FORMED ANGLES EQUAL 90° UNLESS NOTED OTHERWISE

( ) INDICATES REFERENCE

THE INFORMATION IN THIS DRAWING IS THE SOLE PROPERTY OF KARAVAN TRAILERS, INC. ANY REPRODUCTION IN PART OR WHOLE WITHOUT THE WRITTEN PERMISSION OF KARAVAN TRAILERS, INC. IS PROHIBITED.

APPROVED BY: ---

DRAWN BY: **KAY HOPF**

DATE: 04-22-10

SHEET: 3 OF 7

SCALE: N/A

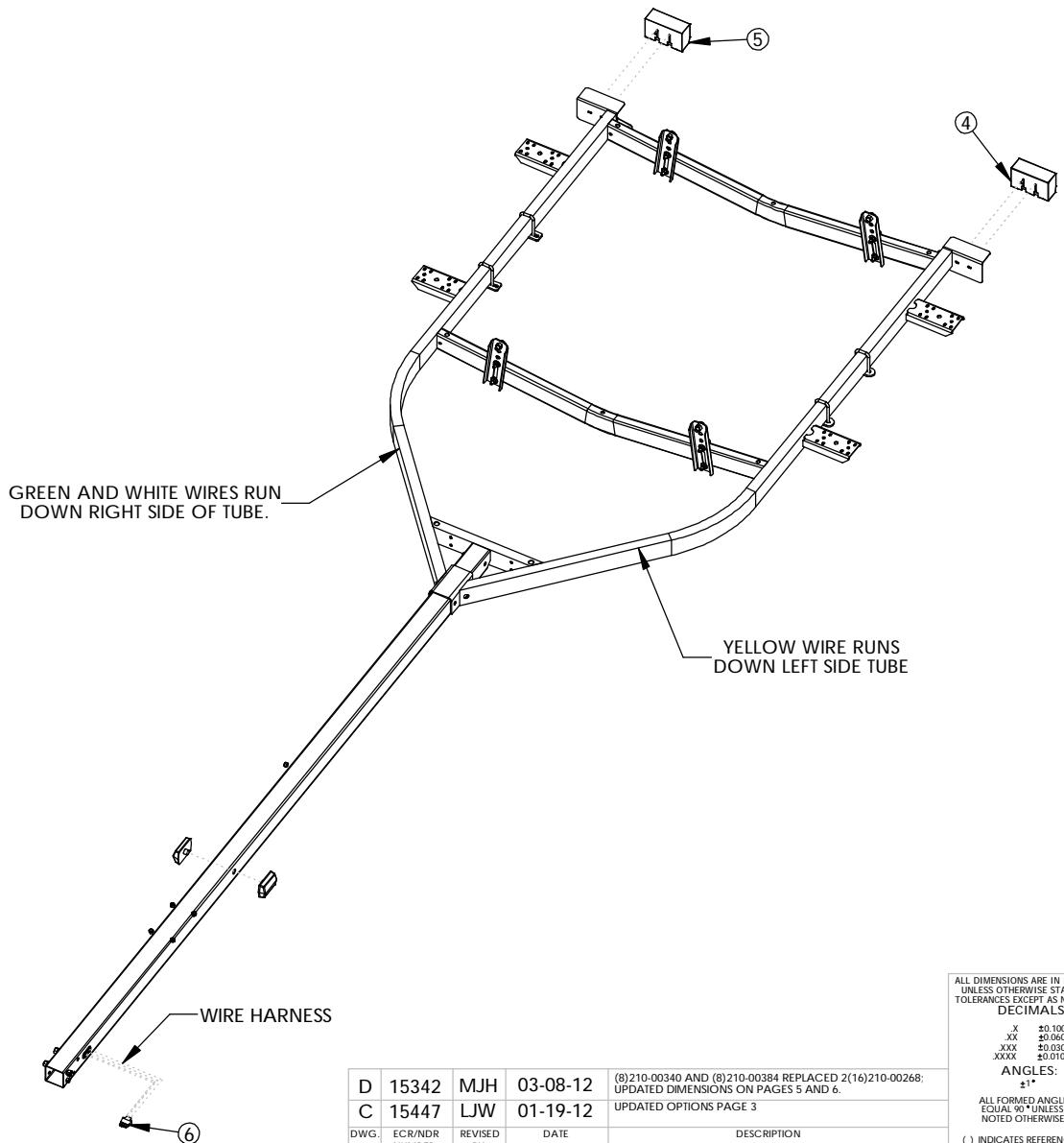
**KARAVAN  
TRAILERS**

TITLE: KB-1250-56 TORSION

MAT'L: SEE B.O.M.

FINISH: N/A

DWG. #: KB-1250-56-TORSION



GREEN AND WHITE WIRES RUN  
DOWN RIGHT SIDE OF TUBE.

YELLOW WIRE RUNS  
DOWN LEFT SIDE TUBE

WIRE HARNESS

DWG. REV.	ECR/NDR NUMBER	REVISED BY	DATE	DESCRIPTION
D	15342	MJH	03-08-12	(8)210-00340 AND (8)210-00384 REPLACED 2(16)210-00268; UPDATED DIMENSIONS ON PAGES 5 AND 6.
C	15447	LJW	01-19-12	UPDATED OPTIONS PAGE 3

ALL DIMENSIONS ARE IN INCHES  
UNLESS OTHERWISE STATED  
TOLERANCES EXCEPT AS NOTED

DECIMALS:  
 .X ±0.100  
 .XX ±0.060  
 .XXX ±0.030  
 .XXXX ±0.010

ANGLES:  
 ±1°

ALL FORMED ANGLES  
 EQUAL 90° UNLESS  
 NOTED OTHERWISE

( ) INDICATES REFERENCE

THE INFORMATION IN THIS DRAWING IS THE SOLE  
 PROPERTY OF KARAVAN TRAILERS, INC. ANY  
 REPRODUCTION IN PART OR WHOLE WITHOUT  
 THE WRITTEN PERMISSION OF KARAVAN TRAILERS,  
 INC. IS PROHIBITED.

APPROVED BY:  
 ---

DRAWN BY:  
**KAY HOPF**

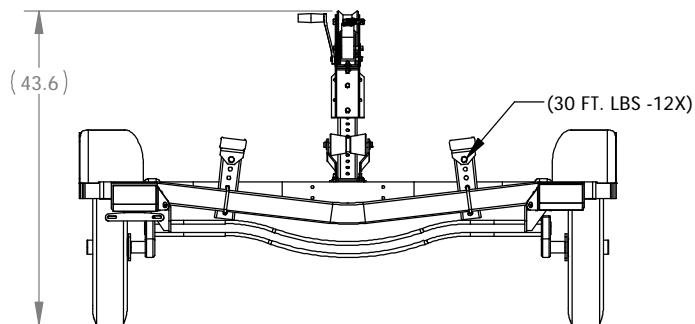
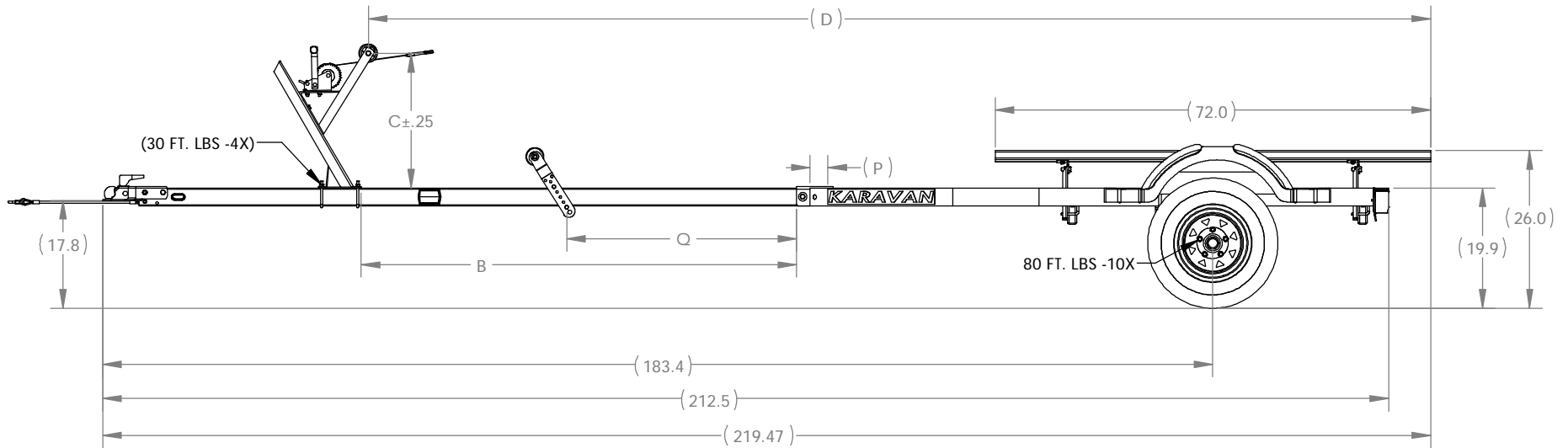
DATE: 04-22-10

SHEET: 4 OF 7

SCALE: N/A

<b>KARAVAN</b> TRAILERS	
TITLE:	KB-1250-56 TORSION
MAT'L:	SEE B.O.M.
FINISH:	N/A
DWG. #:	KB-1250-56-TORSION

MODEL #	DIMENSIONS				
	"B"	"C"	"D"	"P"	"Q"
*	72.0	22.25	175.56	4.0	38.0



NOTES:

- 5.) TORQUE CALLOUTS IN PARENTHESIS ARE FOR REFERENCE. TIGHTEN FASTENERS UNTIL PINCHED TIGHT (DO NOT OVER TIGHTEN BUNK PIVOT POINTS). MINOR DEFLECTION OF MATERIAL IS ACCEPTABLE.

DWG. REV.	ECR/NDR NUMBER	REVISED BY	DATE	DESCRIPTION
D	15342	MJH	03-08-12	(8)210-00340 AND (8)210-00384 REPLACED 2(16)210-00268; UPDATED DIMENSIONS ON PAGES 5 AND 6.
C	15447	LJW	01-19-12	UPDATED OPTIONS PAGE 3

ALL DIMENSIONS ARE IN INCHES UNLESS OTHERWISE STATED TOLERANCES EXCEPT AS NOTED

DECIMALS:  
 .X ±0.100  
 .XX ±0.060  
 .XXX ±0.030  
 .XXXX ±0.010

ANGLES:  
 ±1°

ALL FORMED ANGLES EQUAL 90° UNLESS NOTED OTHERWISE

( ) INDICATES REFERENCE

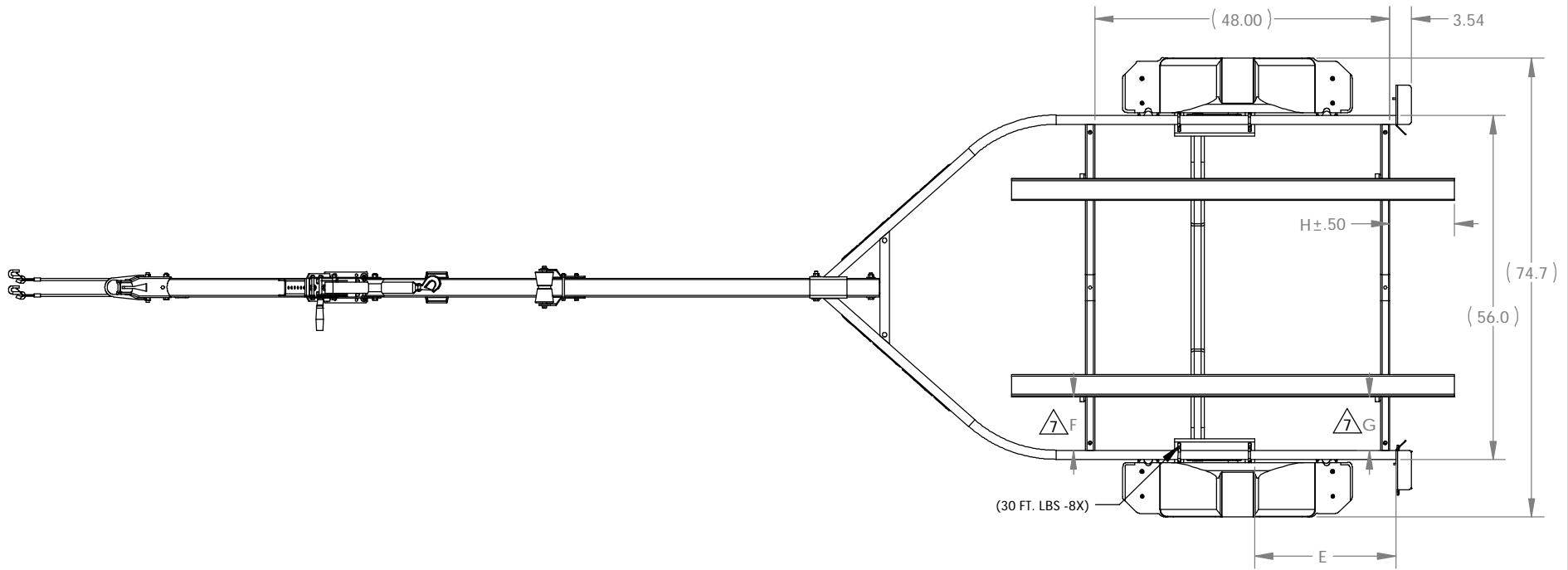
THE INFORMATION IN THIS DRAWING IS THE SOLE PROPERTY OF KARAVAN TRAILERS, INC. ANY REPRODUCTION IN PART OR WHOLE WITHOUT THE WRITTEN PERMISSION OF KARAVAN TRAILERS, INC. IS PROHIBITED.

APPROVED BY: ---  
 DRAWN BY: KAY HOPF  
 DATE: 04-22-10  
 SHEET: 5 OF 7  
 SCALE: N/A

**KARAVAN**  
TRAILERS

TITLE: KB-1250-56 TORSION  
 MAT'L: SEE B.O.M.  
 FINISH: N/A  
 DWG. #: KB-1250-56-TORSION

MODEL #	DIMENSIONS			
	"E"	"F"	"G"	"H"
*	23.0	8.5	8.5	10.5



NOTE:

- ⚠️ AXLE LOCATION DIMENSION IS FROM BACK OF AXLE TO THE BACK OF THE FRAME.
- ⚠️ BUNK LOCATION IS THE DISTANCE FROM THE INSIDE OF THE SIDE TUBE TO THE OUTSIDE EDGE OF THE BUNK BRACKET.

8.) TORQUE CALLOUTS IN PARENTHESIS ARE FOR REFERENCE. TIGHTEN FASTENERS UNTIL PINCHED TIGHT (DO NOT OVER TIGHTEN BUCK PIVOT POINTS). MINOR DEFLECTION OF MATERIAL IS ACCEPTABLE.

D	15342	MJH	03-08-12	(8)210-00340 AND (8)210-00384 REPLACED 2(16)210-00268; UPDATED DIMENSIONS ON PAGES 5 AND 6.
C	15447	LJW	01-19-12	UPDATED OPTIONS PAGE 3
DWG. REV.	ECR/NDR NUMBER	REVISED BY	DATE	DESCRIPTION

ALL DIMENSIONS ARE IN INCHES UNLESS OTHERWISE STATED TOLERANCES EXCEPT AS NOTED

DECIMALS:

.X ±0.100  
 .XX ±0.060  
 .XXX ±0.030  
 .XXXX ±0.010

ANGLES:  
 ±1°

ALL FORMED ANGLES EQUAL 90° UNLESS NOTED OTHERWISE

( ) INDICATES REFERENCE

THE INFORMATION IN THIS DRAWING IS THE SOLE PROPERTY OF KARAVAN TRAILERS, INC. ANY REPRODUCTION IN PART OR WHOLE WITHOUT THE WRITTEN PERMISSION OF KARAVAN TRAILERS, INC. IS PROHIBITED.

APPROVED BY: ---

DRAWN BY: **KAY HOPF**

DATE: 04-22-10

SHEET: 6 OF 7

SCALE: N/A

**KARAVAN**  
TRAILERS

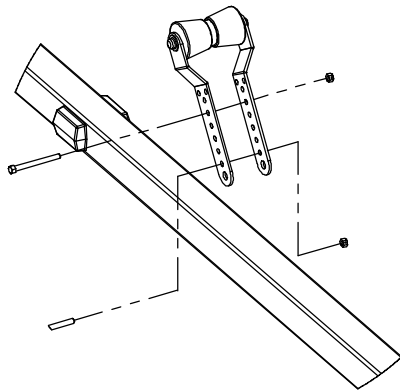
TITLE: KB-1250-56 TORSION

MAT'L: SEE B.O.M.

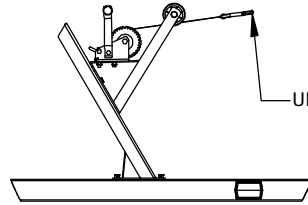
FINISH: N/A

DWG. #: KB-1250-56-TORSION

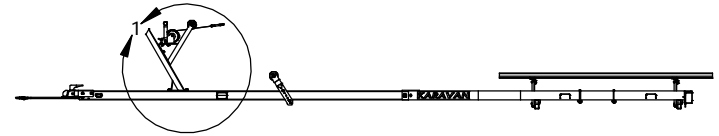
**VIEW 2  
ROLLER MOUNTING  
INSTRUCTIONS**



**VIEW 1**

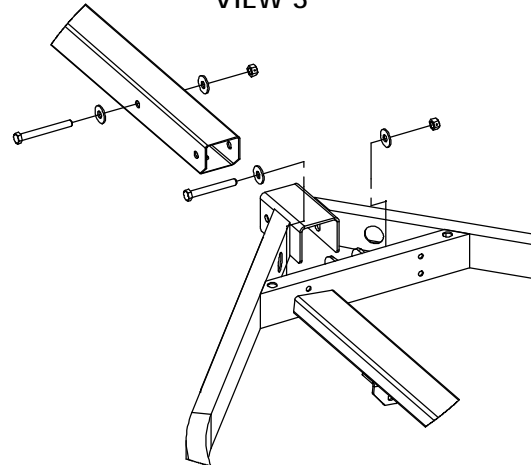


WINCH STRAP WITH HOOK RUNS UNDER THE ROLLER BEFORE BEING HOOKED TO THE BOW EYE OF THE BOAT



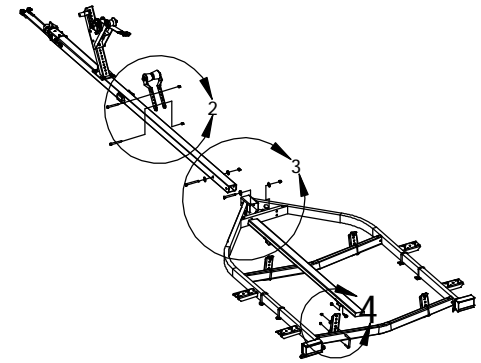
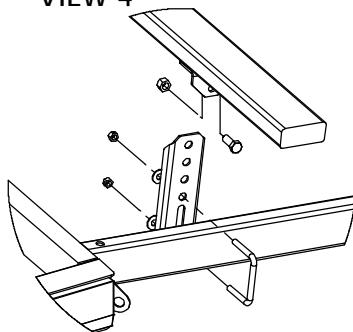
**TONGUE MOUNTING INSTRUCTIONS**

**VIEW 3**



**BUNK MOUNTING INSTRUCTIONS**

**VIEW 4**



ALL DIMENSIONS ARE IN INCHES  
UNLESS OTHERWISE STATED  
TOLERANCES EXCEPT AS NOTED  
DECIMALS:  
.X ±0.100  
.XX ±0.060  
.XXX ±0.030  
.XXXX ±0.010  
ANGLES:  
±1°  
ALL FORMED ANGLES  
EQUAL 90° UNLESS  
NOTED OTHERWISE  
( ) INDICATES REFERENCE

THE INFORMATION IN THIS DRAWING IS THE SOLE  
PROPERTY OF KARAVAN TRAILERS, INC. ANY  
REPRODUCTION IN PART OR WHOLE WITHOUT  
THE WRITTEN PERMISSION OF KARAVAN TRAILERS,  
INC. IS PROHIBITED.  
APPROVED BY: ---  
DRAWN BY: **KAY HOPF**  
DATE: **04-22-10**  
SHEET: **7 OF 7**  
SCALE: **N/A**

**KARAVAN**  
TRAILERS

TITLE: **KB-1250-56 TORSION**

MAT'L: **SEE B.O.M.**

FINISH: **N/A**

DWG. #: **KB-1250-56-TORSION**

D	15342	MJH	03-08-12	(8)210-00340 AND (8)210-00384 REPLACED 2(16)210-00268; UPDATED DIMENSIONS ON PAGES 5 AND 6.
C	15447	LJW	01-19-12	UPDATED OPTIONS PAGE 3
DWG. REV.	ECR/NDR NUMBER	REVISED BY	DATE	DESCRIPTION