

DWG. REV.	ECR/NDR NUMBER	REVISED BY	DATE	DESCRIPTION
G	15543	KMH	07-09-12	310-01903 REPLACED 310-02255
F	15342	MJH	02-21-12	(8)210-00384 AND (8)210-00340 REPLACED (16)210-00268; UPDATE DIMENSIONS ON PAGE 5 AND 6.

ALL DIMENSIONS ARE IN INCHES
UNLESS OTHERWISE STATED
TOLERANCES EXCEPT AS NOTED

DECIMALS:

.X ±0.100
.XX ±0.060
.XXX ±0.030
.XXXX ±0.010

ANGLES:
±1°

ALL FORMED ANGLES
EQUAL 90° UNLESS
NOTED OTHERWISE

() INDICATES REFERENCE

THE INFORMATION IN THIS DRAWING IS THE SOLE
PROPERTY OF KARAVAN TRAILERS, INC. ANY
REPRODUCTION IN PART OR WHOLE WITHOUT
THE WRITTEN PERMISSION OF KARAVAN TRAILERS,
IS PROHIBITED.

APPROVED BY: ---

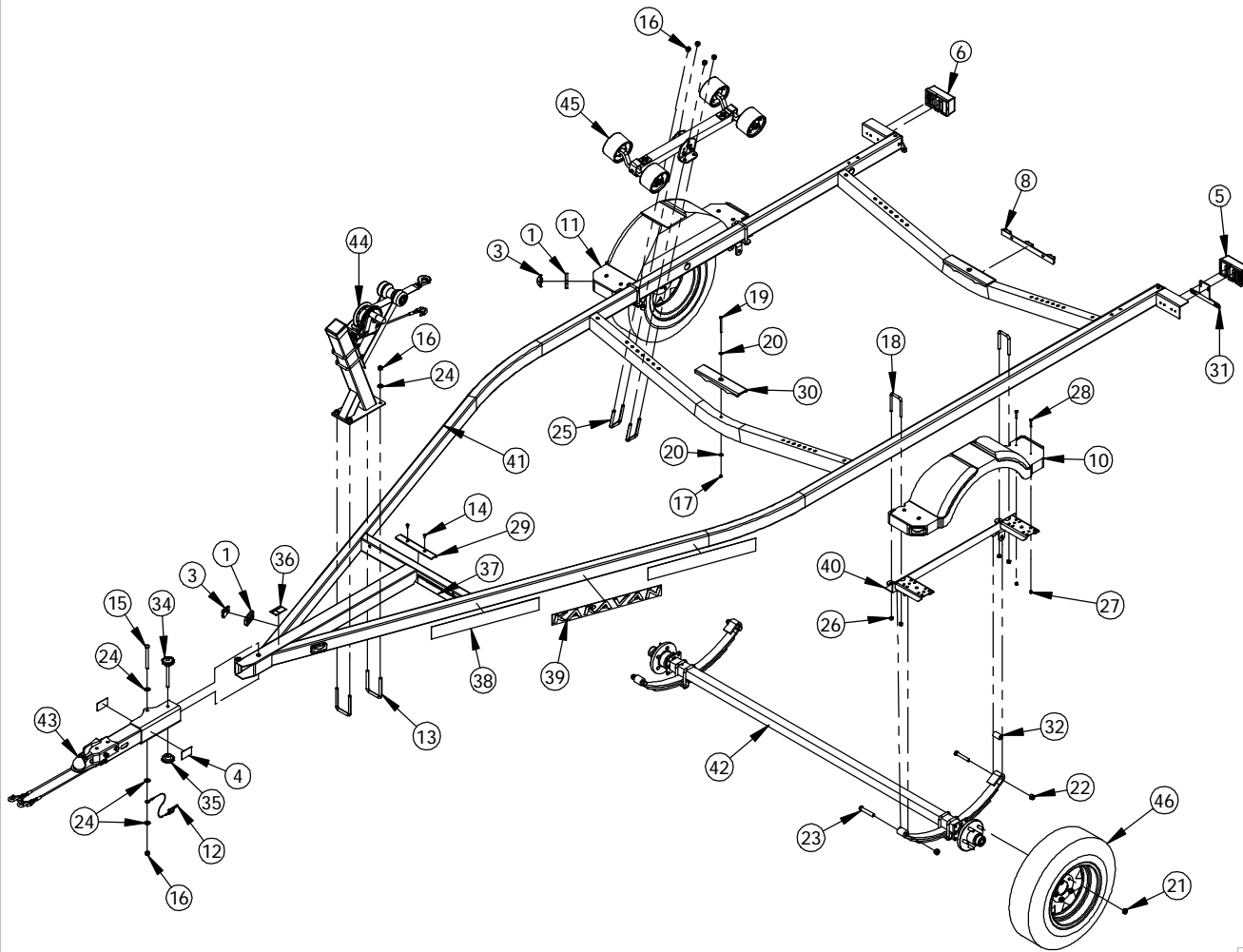
DRAWN BY:
MJ HALFMANN

DATE: 10-19-06

SHEET: 1 OF 7

SCALE: N/A

KARAVAN TRAILERS	
TITLE:	KCR-2200-74
MAT'L:	SEE B.O.M.
FINISH:	N/A
DWG. #:	KCR-2200-74



ITEM NO.	SEE NOTES	PART NUMBER	DESCRIPTION	QTY.
1		205-00046	SNAP-LOC GROMMET	4
2	2	205-00113	PIGTAIL W/ PLUGS	2
3	2	205-00126	SNAP-LOC LIGHT	4
4		205-00142	AMBER REFLECTOR TAPE	2
5	2	205-00161	TAIL LIGHT LH (LED)	1
6	2	205-00162	TAIL LIGHT RH (LED)	1
7	2	205-00168	WIRE HARNESS	1
8	2	205-00176	I.D. BAR LIGHT SUBM.	1
9	2	205-00210	PIGTAIL	2
10		206-00085	FENDER (LH)	1
11		206-00086	FENDER (RH)	1
12		207-00020	PIN & LANYARD	1
13		210-00029	50"-13 X 3.063" X 4.50" U-BOLT	2
14		210-00057	#10 X .625" HX WSHR HD SCREW	2
15		210-00060	50"-13 X 5.00" HX HD BOLT	1
16		210-00061	50"-13 CENTER LOCK HEX NUT	21
17		210-00085	.25"-20 CENTER LOCK NUT	2
18		210-00087	.438"-14 X 2.25" X 4.00" U-BOLT	4
19		210-00123	.25"-20 X 3.50" TAP BOLT	2
20		210-00136	.25" FLAT WASHER	4
21		210-00137	.50"-20 X .813" LUG NUT	10
22		210-00157	.563"-12 NYLOCK HEX NUT	4
23		210-00211	.563"-12 X 3.25" HX HD BOLT	4
24		210-00240	50" SAE FLAT WASHER ZINC	7
25		210-00284	50"-13 X 2.063" X 4.50" U-BOLT	8
26		210-00330	.438"-14 CENTER LOCK HEX NUT	8
27		210-00340	.250"-20 NYLOCK HEX NUT	8
28		210-00384	SCREW 6 LOBE TRUSS HD 1/4"-20 X 1-1/2"	8
29		216-00019	KEEL PROTECTOR	1
30		216-00034	KEEL PROTECTOR	2
31		229-00006	LICENSE PLATE BRACKET	1
32		229-00095	BUSHING	2
33	2	229-00245	.375" LOOM	1
34		229-00287	HAND BOLT	1
35		229-00289	HAND NUT	1
36		234-00023	PINCH POINT LOGO	1
37		234-00032	TRAILERING CHECKLIST	1
38		234-00058	LOGO	4
39		234-00060	LOGO	2
40		300-01130	SPRING HANGER WELDMENT	2
41		300-01779	FRAME WELDMENT	1
42		310-01262	AXLE ASSY W/ SPRING	1
43	3	310-01825	TONGUE SUB-ASSY	1
44	3	310-01903	WINCH ASSY	1
45	3	310-02181	ROLLER ASSY	4
46	1		TIRE	2
			SEE OPTIONS	

NOTES:

- 1.) SEE OPTIONS ON PAGE THREE.
- 2.) SEE ADDITIONAL INSTRUCTIONS ON PAGE FOUR.
- 3.) SEE ADDITIONAL INSTRUCTIONS ON PAGE SEVEN.

G	15543	KMH	07-09-12	310-01903 REPLACED 310-02255
F	15342	MJH	02-21-12	(8)210-00384 AND (8)210-00340 REPLACED (16)210-00268; UPDATE DIMENSIONS ON PAGE 5 AND 6.
DWG. REV.	ECR/NDR NUMBER	REVISED BY	DATE	DESCRIPTION

ALL DIMENSIONS ARE IN INCHES UNLESS OTHERWISE STATED TOLERANCES EXCEPT AS NOTED
 DECIMALS:
 .X \$0.100
 .XX \$0.060
 .XXX \$0.030
 .XXXX \$0.010
 ANGLES:
 \$1°
 ALL FORMED ANGLES EQUAL 90° UNLESS NOTED OTHERWISE
 () INDICATES REFERENCE

THE INFORMATION IN THIS DRAWING IS THE SOLE PROPERTY OF KARAVAN TRAILERS, INC. ANY REPRODUCTION IN PART OR WHOLE WITHOUT THE WRITTEN PERMISSION OF KARAVAN TRAILERS.
 APPROVED BY:

 DRAWN BY:
 MJ HALFMANN
 DATE:
 10-19-06
 SHEET:
 2 OF 7
 SCALE:
 N/A

KARAVAN
TRAILERS

TITLE:
KCR-2200-74
 MAT'L:
SEE B.O.M.
 FINISH:
N/A
 DWG. #:
KCR-2200-74

OPTIONS		
KCR-2200-74 ST175/80D13C		KCR-2200-74 ST175/80R13C
220-00025	TIRES	220-00035

DWG. REV.	ECR/NDR NUMBER	REVISED BY	DATE	DESCRIPTION
G	15543	KMH	07-09-12	310-01903 REPLACED 310-02255
F	15342	MJH	02-21-12	(8)210-00384 AND (8)210-00340 REPLACED (16)210-00268; UPDATE DIMENSIONS ON PAGE 5 AND 6.

ALL DIMENSIONS ARE IN INCHES
UNLESS OTHERWISE STATED
TOLERANCES EXCEPT AS NOTED

DECIMALS:
.X ±0.100
.XX ±0.060
.XXX ±0.030
.XXXX ±0.010

ANGLES:
±1°

ALL FORMED ANGLES
EQUAL 90° UNLESS
NOTED OTHERWISE

() INDICATES REFERENCE

THE INFORMATION IN THIS DRAWING IS THE SOLE
PROPERTY OF KARAVAN TRAILERS, INC. ANY
REPRODUCTION IN PART OR WHOLE WITHOUT
THE WRITTEN PERMISSION OF KARAVAN TRAILERS,
INC. IS PROHIBITED.

APPROVED BY:

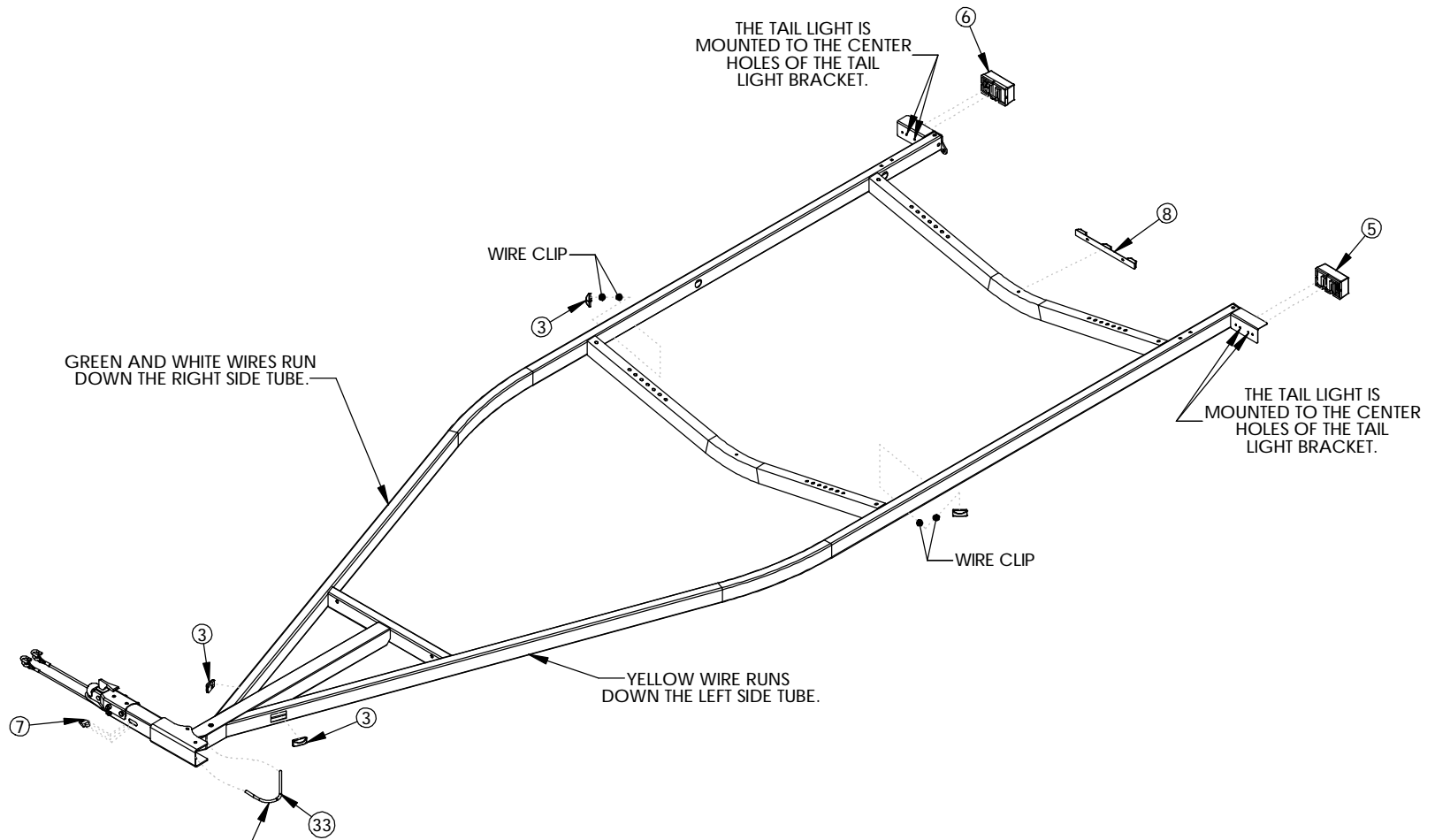
DRAWN BY:
MJ HALFMANN

DATE: 10-19-06

SHEET: 3 OF 7

SCALE: N/A

KARAVAN TRAILERS	
TITLE:	KCR-2200-74
MAT'L:	SEE B.O.M.
FINISH:	N/A
DWG. #:	KCR-2200-74



THE LOOM IS PLACED AROUND THE WIRE HARNESS AT THE SWING JOINT AREA.

G	15543	KMH	07-09-12	310-01903 REPLACED 310-02255
F	15342	MJH	02-21-12	(8)210-00384 AND (8)210-00340 REPLACED (16)210-00268; UPDATE DIMENSIONS ON PAGE 5 AND 6.
DWG. REV.	ECR/NDR NUMBER	REVISED BY	DATE	DESCRIPTION

ALL DIMENSIONS ARE IN INCHES UNLESS OTHERWISE STATED TOLERANCES EXCEPT AS NOTED

DECIMALS:

.X	±0.100
.XX	±0.060
.XXX	±0.030
.XXXX	±0.010

ANGLES:
±1°

ALL FORMED ANGLES EQUAL 90° UNLESS NOTED OTHERWISE

() INDICATES REFERENCE

THE INFORMATION IN THIS DRAWING IS THE SOLE PROPERTY OF KARAVAN TRAILERS, INC. ANY REPRODUCTION IN PART OR WHOLE WITHOUT THE WRITTEN PERMISSION OF KARAVAN TRAILERS, INC. IS PROHIBITED.

APPROVED BY: ---

DRAWN BY: *MJ HALFMANN*

DATE: 10-19-06

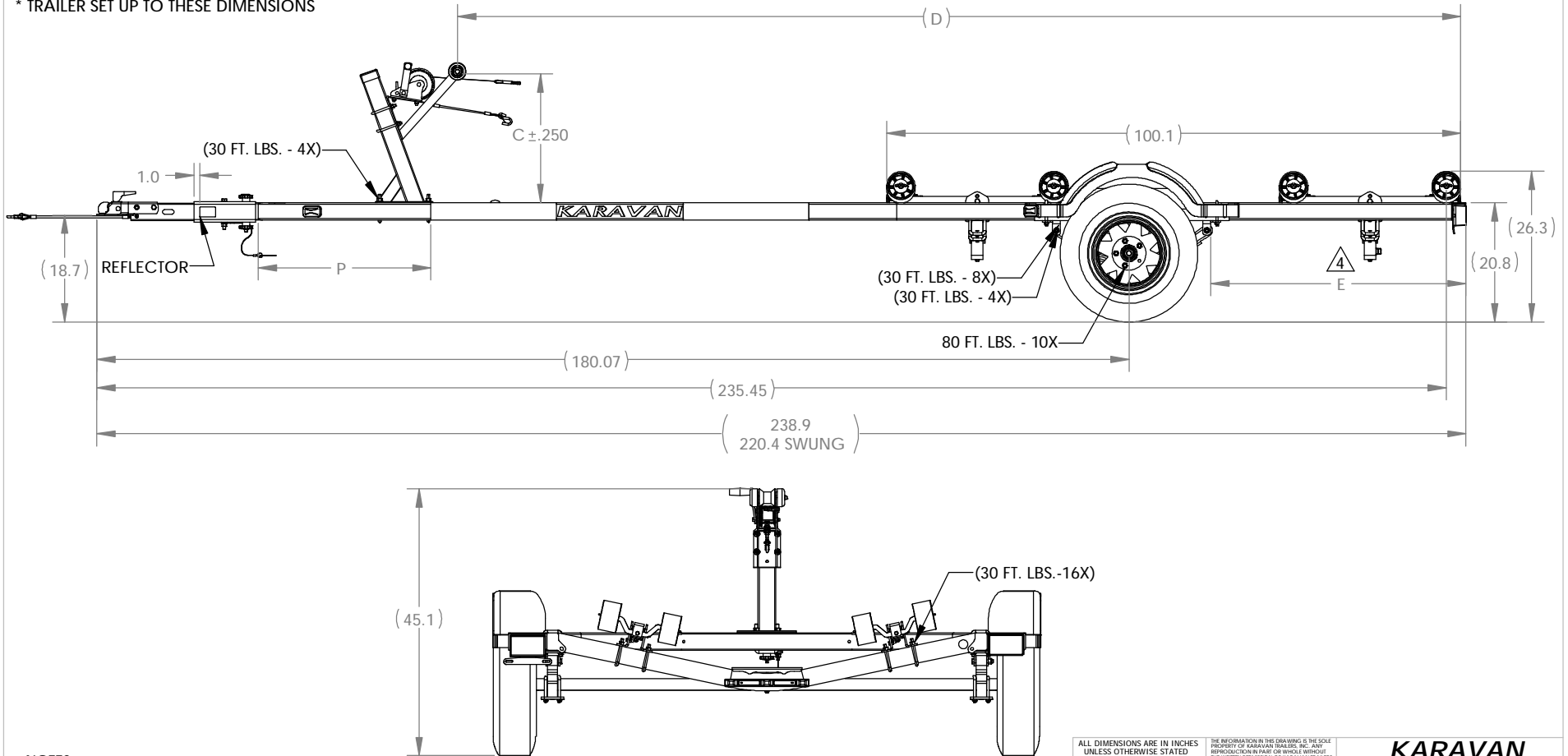
SHEET: 4 OF 7

SCALE: N/A

KARAVAN TRAILERS	
TITLE:	KCR-2200-74
MAT'L:	SEE B.O.M.
FINISH:	N/A
DWG. #:	KCR-2200-74

MODEL #	DIMENSIONS			
	"C"	"D"	"E"	"P"
*	19.92	174.98	35.00	32.0

* TRAILER SET UP TO THESE DIMENSIONS



NOTES:

4 DIMENSION IS FROM THE BACK OF THE SPRING HANGER TO THE END OF THE SIDE TUBE.

5. TORQUE CALLOUTS IN PARENTHESIS ARE FOR REFERENCE. TIGHTEN FASTENERS UNTIL PINCHED TIGHT (DO NOT OVER TIGHTEN ROLLER PIVOT POINTS). MINOR DEFLECTION OF MATERIAL IS ACCEPTABLE

DWG. REV.	ECR/NDR NUMBER	REVISED BY	DATE	DESCRIPTION
G	15543	KMH	07-09-12	310-01903 REPLACED 310-02255
F	15342	MJH	02-21-12	(8)210-00384 AND (8)210-00340 REPLACED (16)210-00268; UPDATE DIMENSIONS ON PAGE 5 AND 6.

ALL DIMENSIONS ARE IN INCHES UNLESS OTHERWISE STATED TOLERANCES EXCEPT AS NOTED

DECIMALS:

.X	±0.100
.XX	±0.060
.XXX	±0.030
.XXXX	±0.010

ANGLES:

±1°

ALL FORMED ANGLES EQUAL 90° UNLESS NOTED OTHERWISE

() INDICATES REFERENCE

THE INFORMATION IN THIS DRAWING IS THE SOLE PROPERTY OF KARAVAN TRAILERS, INC. ANY REPRODUCTION IN PART OR WHOLE WITHOUT THE WRITTEN PERMISSION OF KARAVAN TRAILERS, INC. IS PROHIBITED.

APPROVED BY: ---

DRAWN BY: *MJ HALFMANN*

DATE: 10-19-06

SHEET: 5 OF 7

SCALE: N/A

KARAVAN
TRAILERS

TITLE: KCR-2200-74

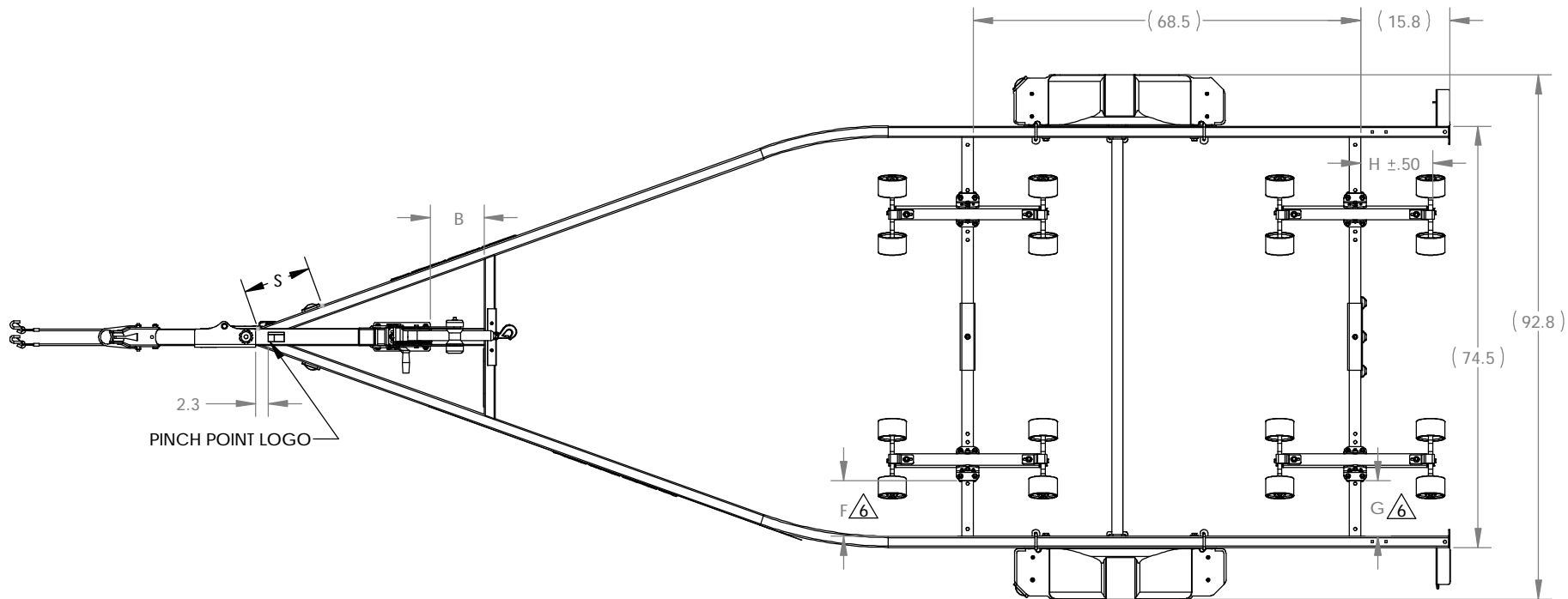
MAT'L: SEE B.O.M.

FINISH: N/A

DWG. #: KCR-2200-74

MODEL #	DIMENSIONS				
	"B"	"F"	"G"	"H"	"S"
*	9.50	12.0	12.0	12.7	12.0

* TRAILER SET UP TO THESE DIMENSIONS



NOTES:

ROLLER LOCATION IS THE DISTANCE FROM THE INSIDE OF THE SIDE TUBE TO THE OUTSIDE EDGE OF THE ROLLER MOUNTING BRACKET.

G	15543	KMH	07-09-12	310-01903 REPLACED 310-02255
F	15342	MJH	02-21-12	(8)210-00384 AND (8)210-00340 REPLACED (16)210-00268; UPDATE DIMENSIONS ON PAGE 5 AND 6.
DWG. REV.	ECR/NDR NUMBER	REVISED BY	DATE	DESCRIPTION

ALL DIMENSIONS ARE IN INCHES UNLESS OTHERWISE STATED TOLERANCES EXCEPT AS NOTED
 DECIMALS:
 .X ±0.100
 .XX ±0.060
 .XXX ±0.030
 .XXXX ±0.010
 ANGLES:
 ±1°
 ALL FORMED ANGLES EQUAL 90° UNLESS NOTED OTHERWISE
 () INDICATES REFERENCE

THE INFORMATION IN THIS DRAWING IS THE SOLE PROPERTY OF KARAVAN TRAILERS, INC. ANY REPRODUCTION IN PART OR WHOLE WITHOUT THE WRITTEN PERMISSION OF KARAVAN TRAILERS, INC. IS PROHIBITED.
 APPROVED BY: ---
 DRAWN BY: MJ HALFMANN
 DATE: 10-19-06
 SHEET: 6 OF 7
 SCALE: N/A

KARAVAN
TRAILERS

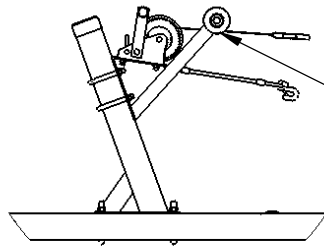
TITLE: KCR-2200-74

MAT'L: SEE B.O.M.

FINISH: N/A

DWG. #: KCR-2200-74

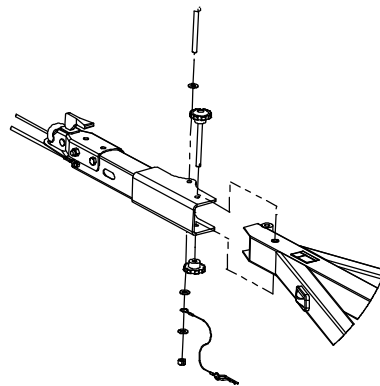
VIEW 1



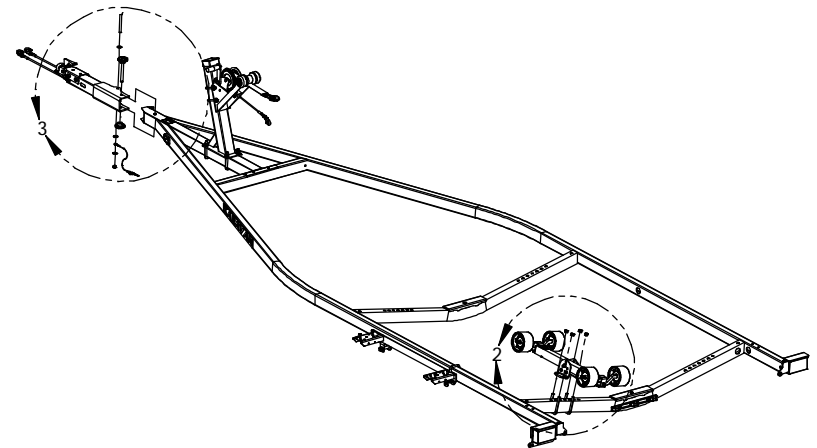
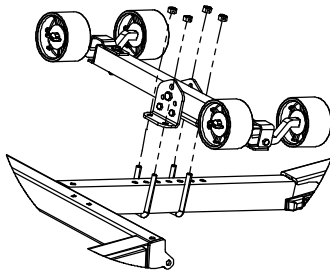
WINCH STRAP WITH HOOK RUNS UNDER THE ROLLER BEFORE HOOKED TO THE BOW EYE OF THE BOAT



VIEW 3 SWING TONGUE MOUNTING INSTRUCTIONS



VIEW 2 ROLLER MOUNTING INSTRUCTIONS



DWG. REV.	ECR/NDR NUMBER	REVISED BY	DATE	DESCRIPTION
G	15543	KMH	07-09-12	310-01903 REPLACED 310-02255
F	15342	MJH	02-21-12	(8)210-00384 AND (8)210-00340 REPLACED (16)210-00268; UPDATE DIMENSIONS ON PAGE 5 AND 6.

ALL DIMENSIONS ARE IN INCHES
UNLESS OTHERWISE STATED
TOLERANCES EXCEPT AS NOTED
DECIMALS:
.X ±0.100
.XX ±0.060
.XXX ±0.030
.XXXX ±0.010
ANGLES:
±1°
ALL FORMED ANGLES
EQUAL 90° UNLESS
NOTED OTHERWISE
() INDICATES REFERENCE

THE INFORMATION IN THIS DRAWING IS THE SOLE
PROPERTY OF KARAVAN TRAILERS, INC. ANY
REPRODUCTION IN PART OR WHOLE WITHOUT
THE WRITTEN PERMISSION OF KARAVAN TRAILERS,
INC. IS PROHIBITED.
APPROVED BY:

DRAWN BY:
MJ HALFMAN
DATE:
10-19-06
SHEET:
7 OF 7
SCALE:
N/A

KARAVAN TRAILERS	
TITLE:	KCR-2200-74
MAT'L:	SEE B.O.M.
FINISH:	N/A
DWG. #:	KCR-2200-74