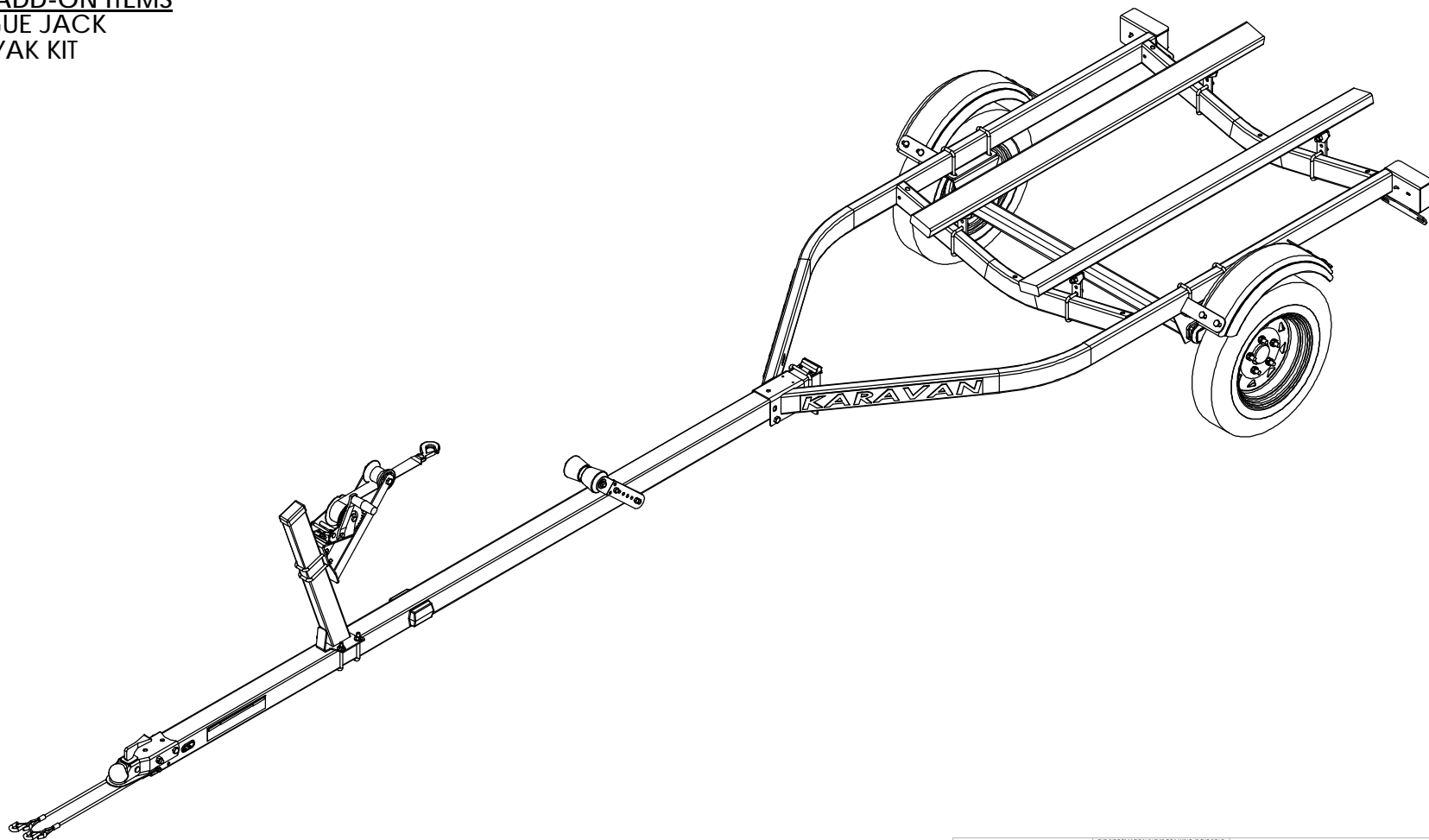


**OPTIONAL ADD-ON ITEMS**  
**TONGUE JACK**  
**KAYAK KIT**



NOTES:  
 1) DRAWING MAY BE SHOWN WITH OPTIONS THAT MAY NOT BE ON ALL TRAILER MODELS.

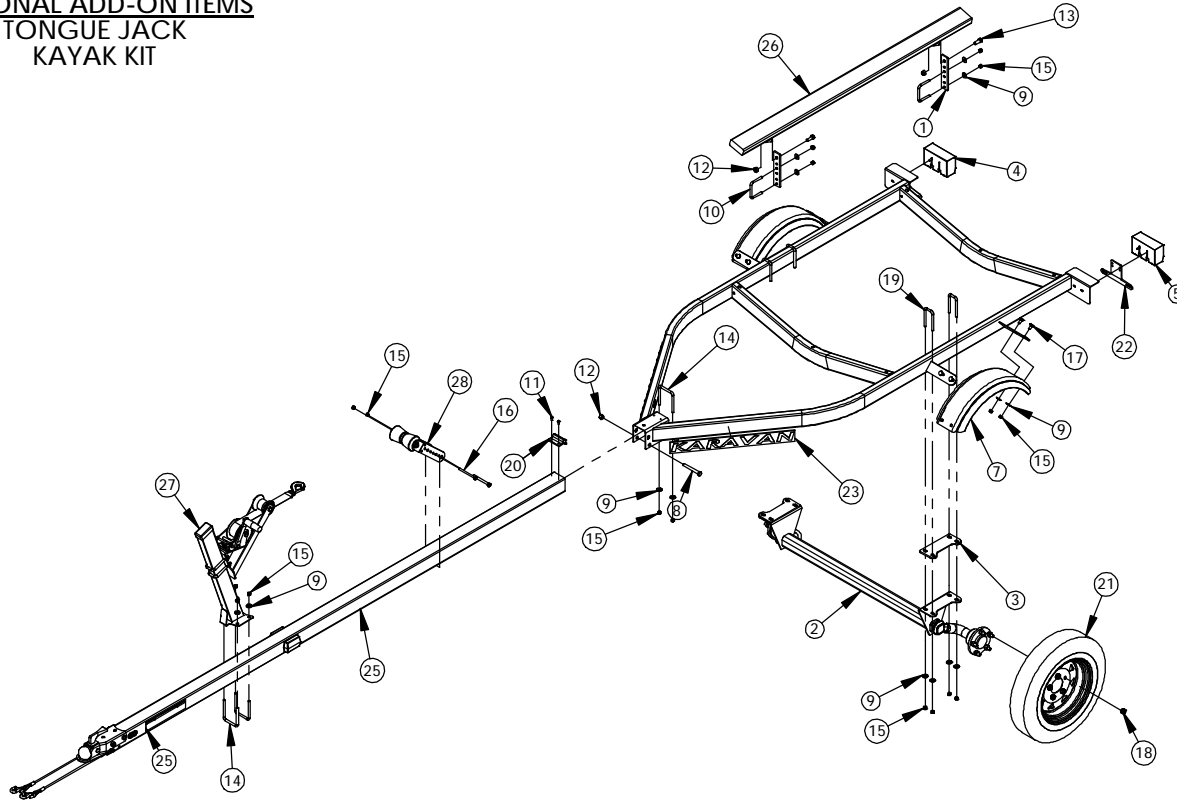
E	15342	MJH	03-12-12	UPDATED ASSEMBLY; ADDED DIMENSIONS ON PAGE 5, UPDATED PRINT.
D	15016	LJW	07-22-11	ADDED KAYAK KIT OPTION
DWG. REV.	ECR/NDR NUMBER	REVISED BY	DATE	DESCRIPTION

ALL DIMENSIONS ARE IN INCHES  
 UNLESS OTHERWISE STATED  
 TOLERANCES EXCEPT AS NOTED  
 DECIMALS:  
 .X ±0.100  
 .XX ±0.060  
 .XXX ±0.030  
 .XXXX ±0.010  
 ANGLES:  
 ±1°  
 ALL FORMED ANGLES  
 EQUAL 90° UNLESS  
 NOTED OTHERWISE  
 ( ) INDICATES REFERENCE

THE INFORMATION IN THIS DRAWING IS THE SOLE  
 PROPERTY OF KARAVAN TRAILERS, INC. ANY  
 REPRODUCTION IN PART OR WHOLE WITHOUT  
 THE WRITTEN PERMISSION OF KARAVAN TRAILERS,  
 INC. IS PROHIBITED.  
 APPROVED BY: ---  
 DRAWN BY:  
 C. HALFMANN  
 DATE: 09-15-08  
 SHEET: 1 OF 7  
 SCALE: N/A

<b>KARAVAN</b> TRAILERS	
TITLE:	KBE-1250-46 W/TORSION AXLE
MAT'L:	SEE B.O.M.
FINISH:	N/A
DWG. #:	<b>KBE-1250-46</b>

**OPTIONAL ADD-ON ITEMS**  
**TONGUE JACK**  
**KAYAK KIT**



ITEM NO.	SEE NOTES	PART NUMBER	DESCRIPTION	QTY.
1		100-02229	ADJ. BUNK BRACKET	4
2	2	200-00036	TORSION AXLE - 1479#	1
3		200-00036-SP1	BACKING PLATE	2
4	4	205-00155	TAIL LIGHT LH	1
5	4	205-00156	TAIL LIGHT RH	1
6	4	205-00167	WIRE HARNESS	1
7		206-00039	FENDER	2
8		210-00014	.50"-13 X 4.00" HX HD BOLT	1
9		210-00025	.375"-16 X 3.125" X 2.37" U-BOLT	30
10		210-00054	#10 X .625" HX WSHR HD SCREW	4
11		210-00057	.50"-13 CENTERLOCK HEX NUT	2
12		210-00061	.50"-13 X 1.25" HX HD BOLT	5
13		210-00072	.375"-16 X 3.125" X 4.125" U-BOLT	4
14		210-00074	.375"-16 X 4.00" HX HD BOLT	3
15		210-00076	.375"-16 CENTERLOCK HEX NUT	32
16		210-00080	.375"-16 X 4.00" HX HD BOLT	2
17		210-00132	.375"-16 X .875" CARRIAGE BOLT	8
18		210-00137	.50"-20 X .813" LUG NUT	10
19		210-00248	.375"-16 X 1.563" X 4.00" U-BOLT	4
20		216-00033	KEEL PROTECTOR	1
21		220-00018	4.80 X 12B.5H	2
22		229-00006	LICENSE PLATE BRACKET	1
23		234-00060	LOGO	2
24		300-02115	FRAME WELDMENT	1
25	4,5	310-01804	TONGUE ASSY	1
26	5	ROLLER/BUNK	SEE OPTIONS	2
27	3,5	310-01896	SEE OPTIONS	1
28	3	ROLLER/BUNK	SEE OPTIONS	1

**NOTE:**

- 1.) DRAWING MAY BE SHOWN WITH OPTIONS THAT MAY NOT BE ON ALL TRAILER MODELS.
- 2.) SEE ADD-ON ITEMS AND OPTIONS ON PAGE THREE.
- 3.) SEE ADDITIONAL INSTRUCTIONS ON PAGE FOUR.
- 4.) SEE ADDITIONAL INSTRUCTIONS ON PAGE SEVEN.

E	15342	MJH	03-12-12	UPDATED ASSEMBLY; ADDED DIMENSIONS ON PAGE 5, UPDATED PRINT.
D	15016	LJW	07-22-11	ADDED KAYAK KIT OPTION
DWG. REV.	ECR/NDR NUMBER	REVISED BY	DATE	DESCRIPTION

ALL DIMENSIONS ARE IN INCHES  
 UNLESS OTHERWISE STATED  
 TOLERANCES EXCEPT AS NOTED  
 DECIMALS:  
 .X ±0.100  
 .XX ±0.060  
 .XXX ±0.030  
 .XXXX ±0.010  
 ANGLES:  
 ±1°  
 ALL FORMED ANGLES  
 EQUAL 90° UNLESS  
 NOTED OTHERWISE  
 ( ) INDICATES REFERENCE

THE INFORMATION IN THIS DRAWING IS THE SOLE  
 PROPERTY OF KARAVAN TRAILERS, INC. ANY  
 REPRODUCTION IN PART OR WHOLE WITHOUT  
 THE WRITTEN PERMISSION OF KARAVAN TRAILERS,  
 INC. IS PROHIBITED.  
 APPROVED BY:  
 ---  
 DRAWN BY:  
 C. HALFMANN  
 DATE: 09-15-08  
 SHEET: 2 OF 7  
 SCALE: N/A

**KARAVAN**  
 TRAILERS

TITLE: KBE-1250-46  
 W/TORSION AXLE

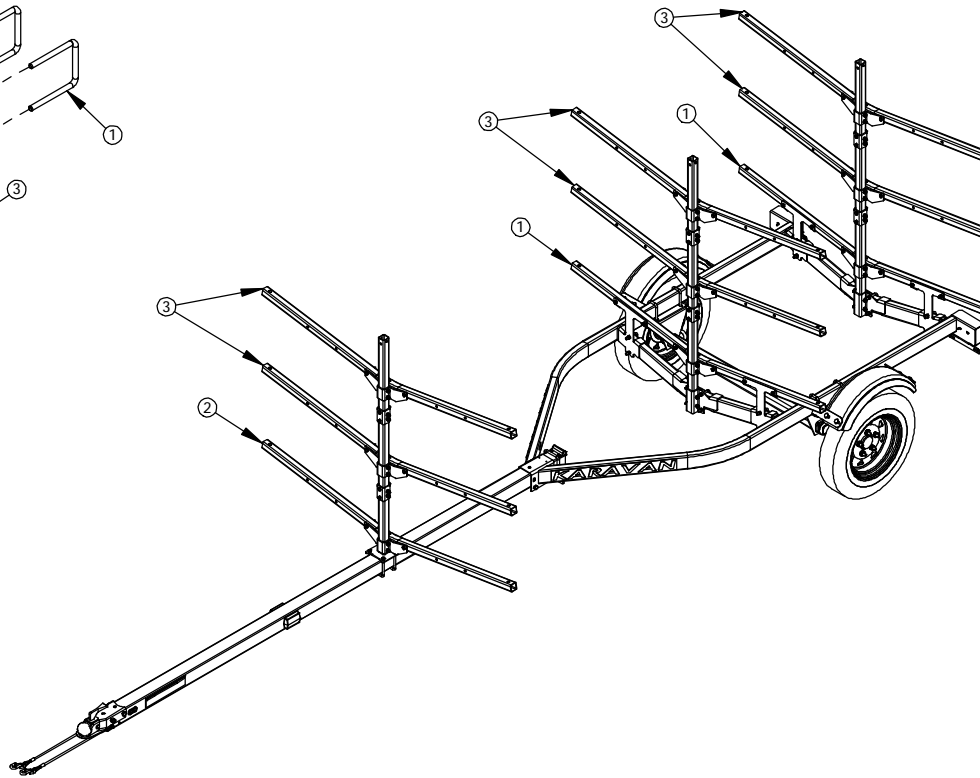
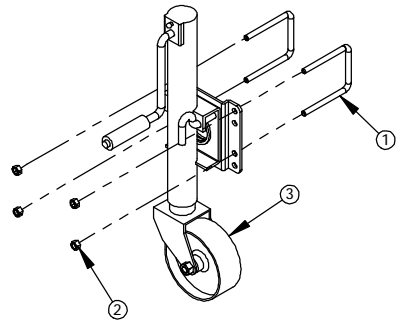
MAT'L: SEE B.O.M.

FINISH: N/A

DWG. #: KBE-1250-46

ITEM NO.	PART NUMBER	DESCRIPTION	QTY.
1	210-00074	.375"-16 X 3.125" X 4.125" U-BOLT	2
2	210-00076	.375"-16 CENTERLOCK HEX NUT	4
3	214-00008	TONGUE JACK	1

### OPTIONAL ADD-ON ITEMS



6-PLACE KAYAK KIT 320-02599			
ITEM NO.	PART NUMBER	DESCRIPTION	QTY.
1	310-02929	KAYAK BASE CROSS MEMBER	2
2	310-02930	KAYAK BASE TONGUE TUBE	1
3	310-02931	KAYAK EXTENSION	6

4-PLACE KAYAK KIT 320-02598			
ITEM NO.	PART NUMBER	DESCRIPTION	QTY.
1	310-02929	KAYAK BASE CROSS MEMBER	2
2	310-02930	KAYAK BASE TONGUE TUBE	1
3	310-02931	KAYAK EXTENSION	3

2-PLACE KAYAK KIT 320-02597			
ITEM NO.	PART NUMBER	DESCRIPTION	QTY.
1	310-02929	KAYAK BASE CROSS MEMBER	2
2	310-02930	KAYAK BASE TONGUE TUBE	1

KBE-1250-46 4.80 X 12B	PARTS	KBE-1250-46 W/BNK & TNG JACK 4.80 X 12B
310-01896	WINCH ASSY	310-02005
310-00324	ROLLER / BUNK ASSY	310-00679
---	TONGUE JACK	214-00008

NOTES:  
5.) REFER TO THE B.O.M.s ABOVE THE ADD-ON COMPONENT FOR MOUNTING HARDWARE AND COMPONENTS.

E	15342	MJH	03-12-12	UPDATED ASSEMBLY: ADDED DIMENSIONS ON PAGE 5, UPDATED PRINT.
D	15016	LJW	07-22-11	ADDED KAYAK KIT OPTION
DWG. REV.	ECR/NDR NUMBER	REVISED BY	DATE	DESCRIPTION

ALL DIMENSIONS ARE IN INCHES  
UNLESS OTHERWISE STATED  
TOLERANCES EXCEPT AS NOTED  
DECIMALS:  
.X ±0.100  
XX ±0.060  
XXX ±0.030  
XXXX ±0.010  
ANGLES:  
±1°  
ALL FORMED ANGLES  
EQUAL 90° UNLESS  
NOTED OTHERWISE  
( ) INDICATES REFERENCE

THE INFORMATION IN THIS DRAWING IS THE SOLE PROPERTY OF KARAVAN TRAILERS, INC. ANY REPRODUCTION IN PART OR WHOLE WITHOUT THE WRITTEN PERMISSION OF KARAVAN TRAILERS, INC. IS PROHIBITED.  
APPROVED BY:  
---  
DRAWN BY:  
C. HALFMANN  
DATE: 09-15-08  
SHEET: 3 OF 7  
SCALE: N/A

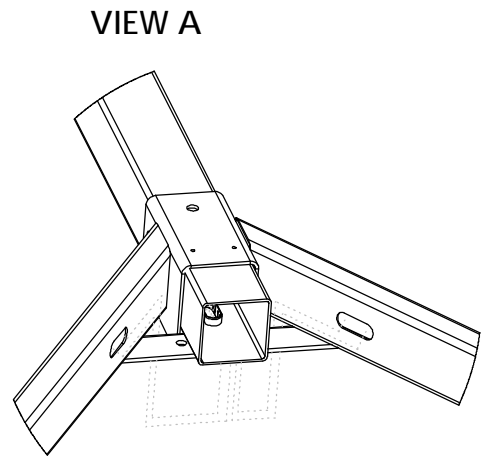
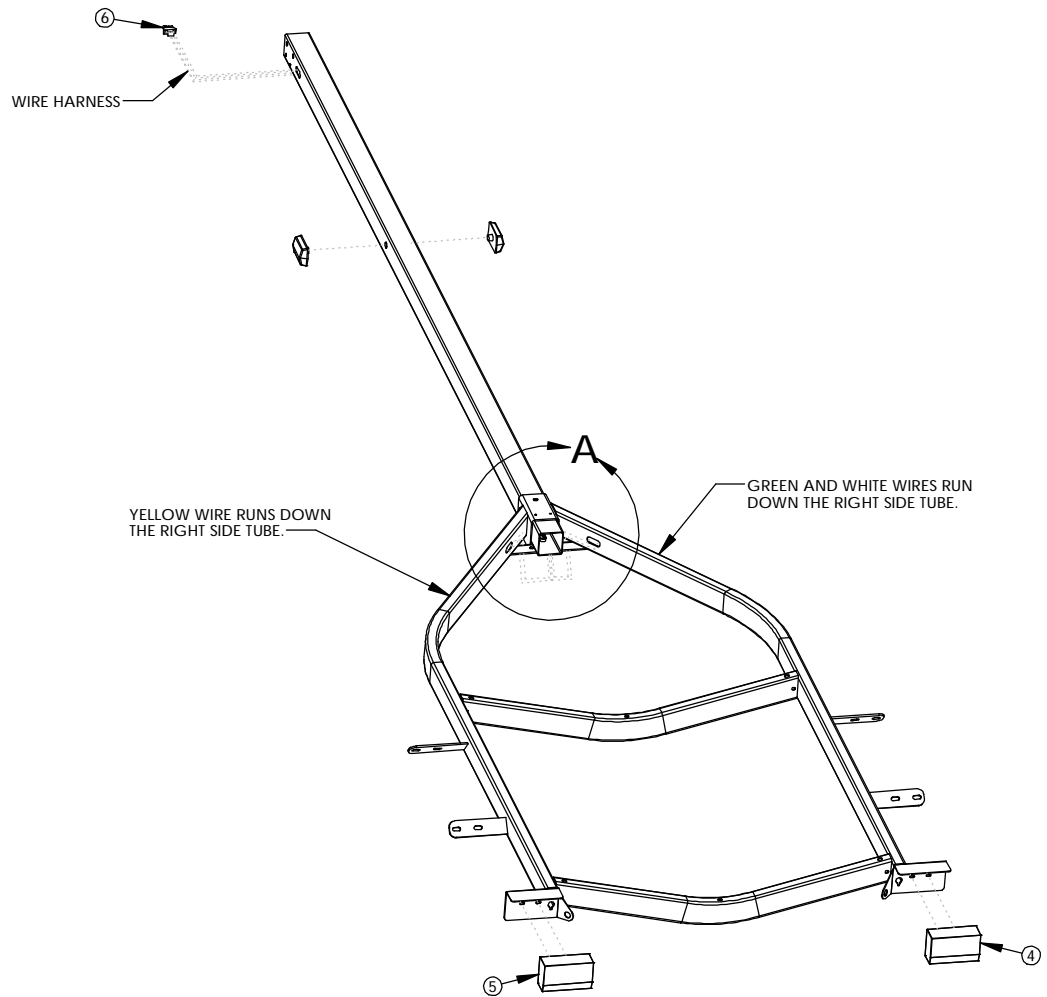
**KARAVAN**  
TRAILERS

TITLE: KBE-1250-46  
W/TORSION AXLE

MAT'L: SEE B.O.M.

FINISH: N/A

DWG. #: KBE-1250-46



NOTES:  
6.) INSTALL TONGUE PRIOR TO WIRING

E	15342	MJH	03-12-12	UPDATED ASSEMBLY; ADDED DIMENSIONS ON PAGE 5, UPDATED PRINT.
D	15016	LJW	07-22-11	ADDED KAYAK KIT OPTION
DWG. REV.	ECR/NDR NUMBER	REVISED BY	DATE	DESCRIPTION

ALL DIMENSIONS ARE IN INCHES UNLESS OTHERWISE STATED TOLERANCES EXCEPT AS NOTED

DECIMALS:  
 .X ±0.100  
 .XX ±0.060  
 .XXX ±0.030  
 .XXXX ±0.010

ANGLES:  
 ±1°

ALL FORMED ANGLES EQUAL 90° UNLESS NOTED OTHERWISE

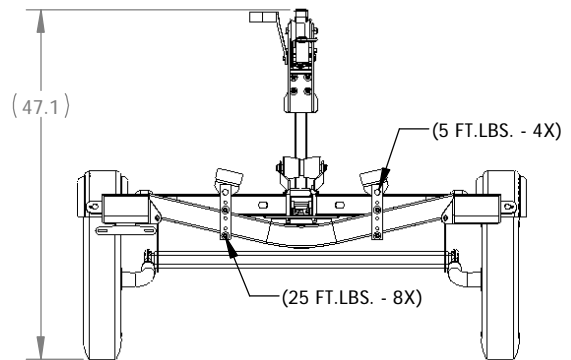
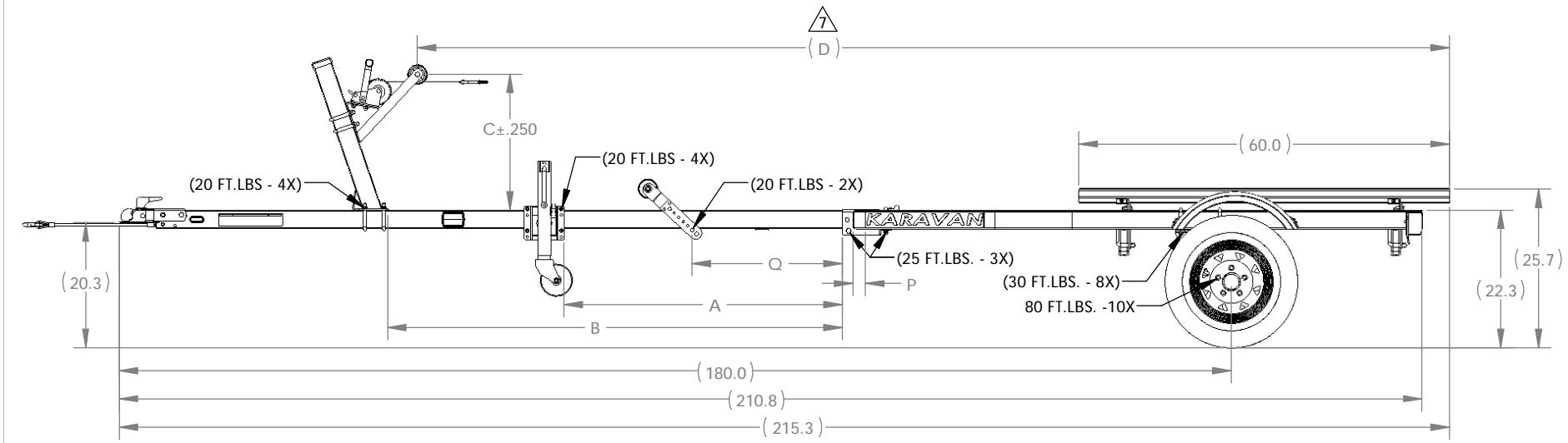
( ) INDICATES REFERENCE

THE INFORMATION IN THIS DRAWING IS THE SOLE PROPERTY OF KARAVAN TRAILERS, INC. ANY REPRODUCTION IN PART OR WHOLE WITHOUT THE WRITTEN PERMISSION OF KARAVAN TRAILERS, INC. IS PROHIBITED.

APPROVED BY: ---  
 DRAWN BY: C. HALFMANN  
 DATE: 09-15-08  
 SHEET: 4 OF 7  
 SCALE: N/A

<b>KARAVAN</b> TRAILERS	
TITLE:	KBE-1250-46 W/TORSION AXLE
MAT'L:	SEE B.O.M.
FINISH:	N/A
DWG. #:	KBE-1250-46

MODEL #	DIMENSIONS					
	"A"	"B"	"C"	"D"	"P"	"Q"
	JACK	POST	UP	REF.	LOGO	KEEL
*	45.0	74.0	21.8	166.4	10.5	24.0



NOTES:  
 ⚠ DIMENSION TOLERANCE IS ±2.00" DUE TO VARIANCE IN BOW EYE ROLLER HEIGHT.

8.) TORQUE CALLOUTS IN PARENTHESIS ARE FOR REFERENCE. TIGHTEN FASTENERS UNTIL PINCHED TIGHT (DO NOT OVER TIGHTEN BUNK PIVOT POINTS). MINOR DEFLECTION OF MATERIAL IS ACCEPTABLE.

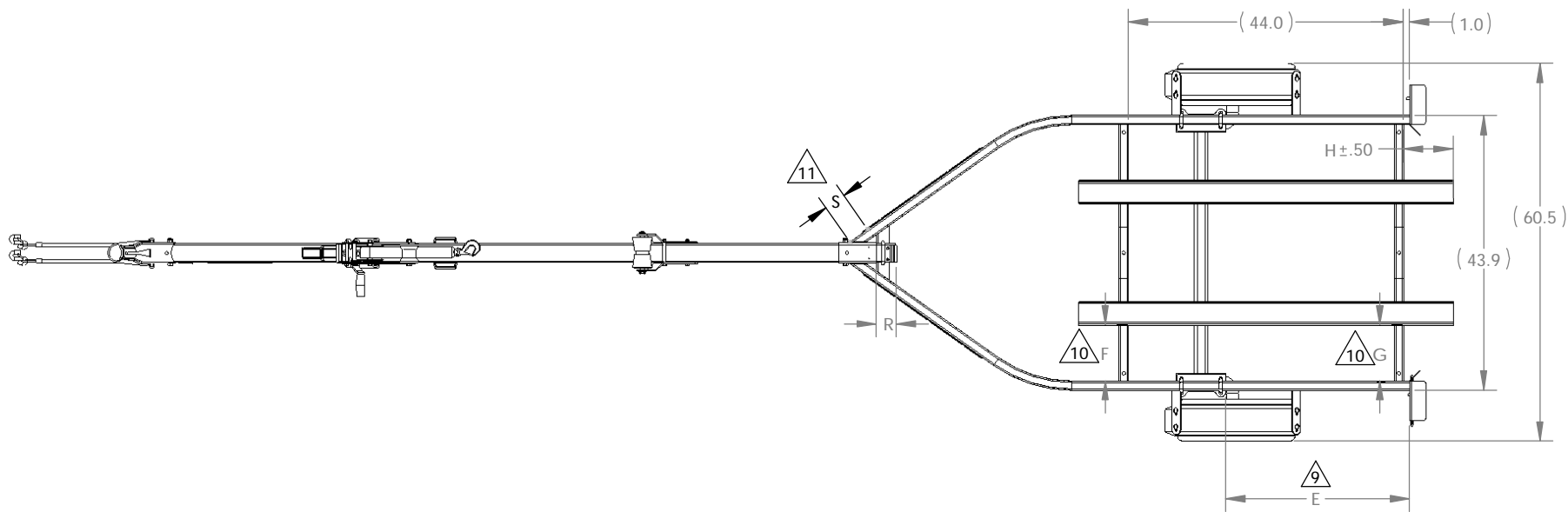
E	15342	MJH	03-12-12	UPDATED ASSEMBLY; ADDED DIMENSIONS ON PAGE 5, UPDATED PRINT.
D	15016	LJW	07-22-11	ADDED KAYAK KIT OPTION
DWG. REV.	ECR/NDR NUMBER	REVISED BY	DATE	DESCRIPTION

ALL DIMENSIONS ARE IN INCHES UNLESS OTHERWISE STATED TOLERANCES EXCEPT AS NOTED  
 DECIMALS:  
 .X ±0.100  
 .XX ±0.060  
 .XXX ±0.030  
 .XXXX ±0.010  
 ANGLES:  
 ±1°  
 ALL FORMED ANGLES EQUAL 90° UNLESS NOTED OTHERWISE  
 ( ) INDICATES REFERENCE

THE INFORMATION IN THIS DRAWING IS THE SOLE PROPERTY OF KARAVAN TRAILERS, INC. ANY REPRODUCTION IN PART OR WHOLE WITHOUT THE WRITTEN PERMISSION OF KARAVAN TRAILERS, INC. IS PROHIBITED.  
 APPROVED BY: ---  
 DRAWN BY: C. HALFMANN  
 DATE: 09-15-08  
 SHEET: 5 OF 7  
 SCALE: N/A

<b>KARAVAN</b> TRAILERS	
TITLE:	KBE-1250-46 W/TORSION AXLE
MAT'L:	SEE B.O.M.
FINISH:	N/A
DWG. #:	KBE-1250-46

MODEL #	DIMENSIONS					
	"E"	"F"	"G"	"H"	"R"	"S"
	AXLE	FRONT	REAR	BACK	TNG	STAMP
*	29.38	9.5	9.5	8.0	3.2	3.5



NOTES:

- 9 DIMENSION IS FROM THE BACK EDGE OF THE AXLE BRACKET TO THE END OF THE SIDE TUBE.
- 10 BUNK LOCATION IS THE DISTANCE FROM THE INSIDE OF THE SIDE TUBE TO THE OUTSIDE EDGE OF THE BUNK MOUNTING BRACKET.
- 11 DIMENSION INDICATES THE SET LOCATION OF THE RIGHT EDGE OF THE PIN STAMPER.

E	15342	MJH	03-12-12	UPDATED ASSEMBLY; ADDED DIMENSIONS ON PAGE 5, UPDATED PRINT.
D	15016	LJW	07-22-11	ADDED KAYAK KIT OPTION
DWG. REV.	ECR/NDR NUMBER	REVISED BY	DATE	DESCRIPTION

ALL DIMENSIONS ARE IN INCHES  
UNLESS OTHERWISE STATED  
TOLERANCES EXCEPT AS NOTED

DECIMALS:  
.X ±0.100  
.XX ±0.060  
.XXX ±0.030  
.XXXX ±0.010

ANGLES:  
±1°

ALL FORMED ANGLES  
EQUAL 90° UNLESS  
NOTED OTHERWISE

( ) INDICATES REFERENCE

THE INFORMATION IN THIS DRAWING IS THE SOLE  
PROPERTY OF KARAVAN TRAILERS, INC. ANY  
REPRODUCTION IN PART OR WHOLE WITHOUT  
THE WRITTEN PERMISSION OF KARAVAN TRAILERS,  
INC. IS PROHIBITED.

APPROVED BY:  
---

DRAWN BY:  
C. HALFMANN

DATE: 09-15-08

SHEET: 6 OF 7

SCALE: N/A

**KARAVAN**  
TRAILERS

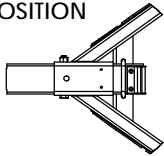
TITLE: KBE-1250-46  
W/TORSION AXLE

MAT'L: SEE B.O.M.

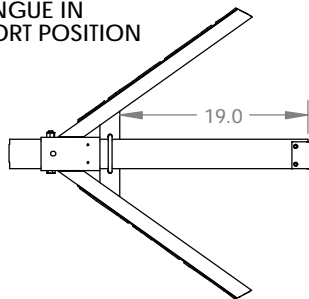
FINISH: N/A

DWG. #: KBE-1250-46

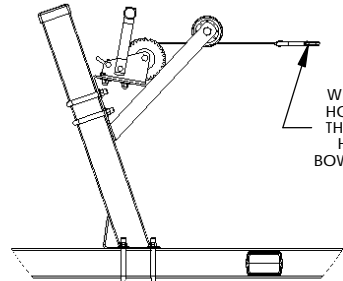
TONGUE IN LONG POSITION



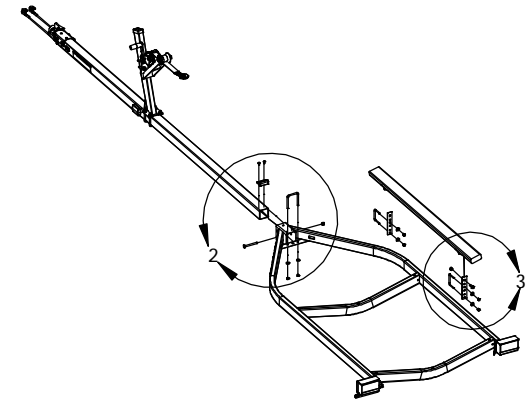
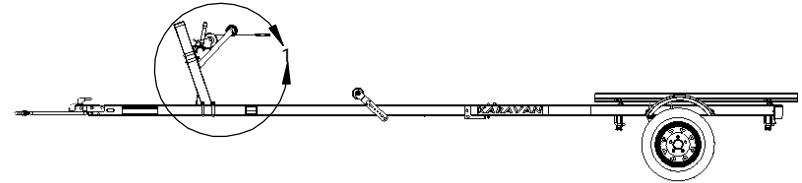
TONGUE IN SHORT POSITION



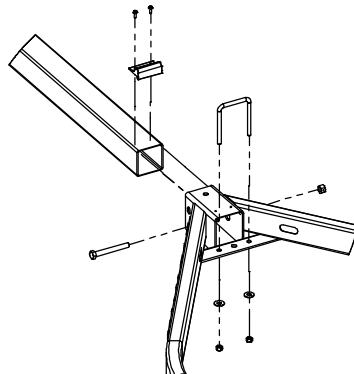
VIEW 1  
WINCH INSTRUCTIONS



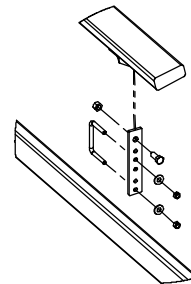
WINCH STRAP WITH HOOK RUNS UNDER THE ROLLER BEFORE HOOKED TO THE BOW EYE OF THE BOAT



VIEW 2  
TONGUE MOUNTING INSTRUCTIONS



VIEW 3  
BUNK MOUNTING INSTRUCTIONS



ALL DIMENSIONS ARE IN INCHES  
UNLESS OTHERWISE STATED  
TOLERANCES EXCEPT AS NOTED  
DECIMALS:  
.X ±0.100  
.XX ±0.060  
.XXX ±0.030  
.XXXX ±0.010  
ANGLES:  
±1°  
ALL FORMED ANGLES  
EQUAL 90° UNLESS  
NOTED OTHERWISE  
( ) INDICATES REFERENCE

THE INFORMATION IN THIS DRAWING IS THE SOLE  
PROPERTY OF KARAVAN TRAILERS, INC. ANY  
REPRODUCTION IN PART OR WHOLE WITHOUT  
THE WRITTEN PERMISSION OF KARAVAN TRAILERS,  
INC. IS PROHIBITED.  
APPROVED BY: ---  
DRAWN BY: C. HALFMANN  
DATE: 09-15-08  
SHEET: 7 OF 7  
SCALE: N/A

**KARAVAN**  
TRAILERS

TITLE: KBE-1250-46  
W/TORSION AXLE

MAT'L: SEE B.O.M.

FINISH: N/A

DWG. #: KBE-1250-46

E	15342	MJH	03-12-12	UPDATED ASSEMBLY; ADDED DIMENSIONS ON PAGE 5, UPDATED PRINT.
D	15016	LJW	07-22-11	ADDED KAYAK KIT OPTION
DWG. REV.	ECR/NDR NUMBER	REVISED BY	DATE	DESCRIPTION