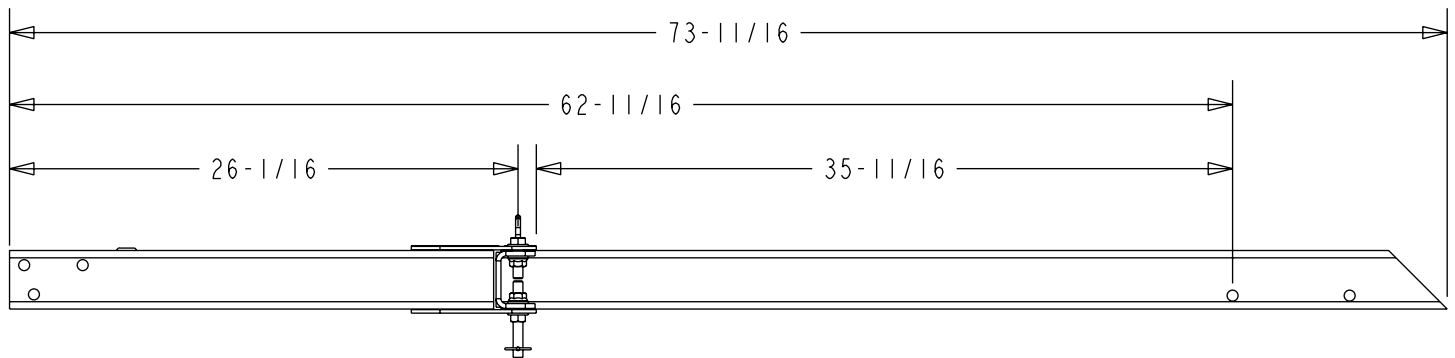
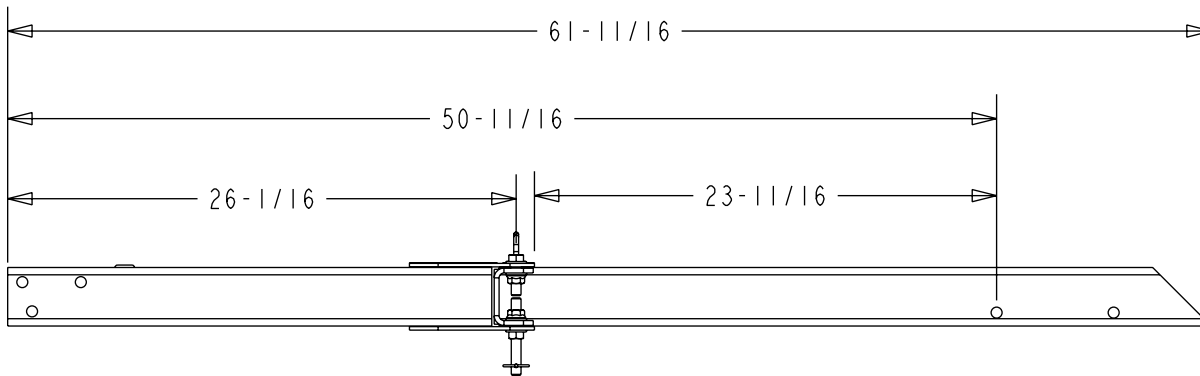


## 3" Swing Tongue Assemblies for Non-Brake Trailers

The 3" non-brake swing tongue assembly is a replacement tongue that can be installed in any 2x3 trailer frame that is not equipped with a brake system. It will replace a standard tongue and allows the front 30" section of the tongue (including the coupler) to be swung to the side so that it will fit in a shorter storage area.

The winch post assembly must never be attached to the swing section of the tongue. The tongues are available in two different length rear sections to accommodate the mounting of the winch post. Choose the correct length that best adapts to the winch post setting for your boat.



### Removing the Old Tongue from the Frame

- Remove the boat from the trailer.
- Measure the location of the winch post with respect to the frame tongue channel before removing it so you know where it needs to be re-installed on the new tongue. Remove the winch post assembly by removing the three-3/8" x 4" hex bolts.
- Remove the coupler from the front of the old tongue.
- Remove the safety chains by removing the bolts that attach them to the old tongue.
- Remove the 1/2" x 1 1/2" hex bolt holding the tongue cap and the rear of the tongue into the tongue channel.
- Remove the 1/2" x 4" hex cross bolt that attaches the tongue in the front of the tongue channel.

- Disconnect the side frame wire harnesses from the tongue harness. Remove the tongue harness.
- Remove the old tongue assembly from the frame.

### Installing the New Swing Tongue to the Frame

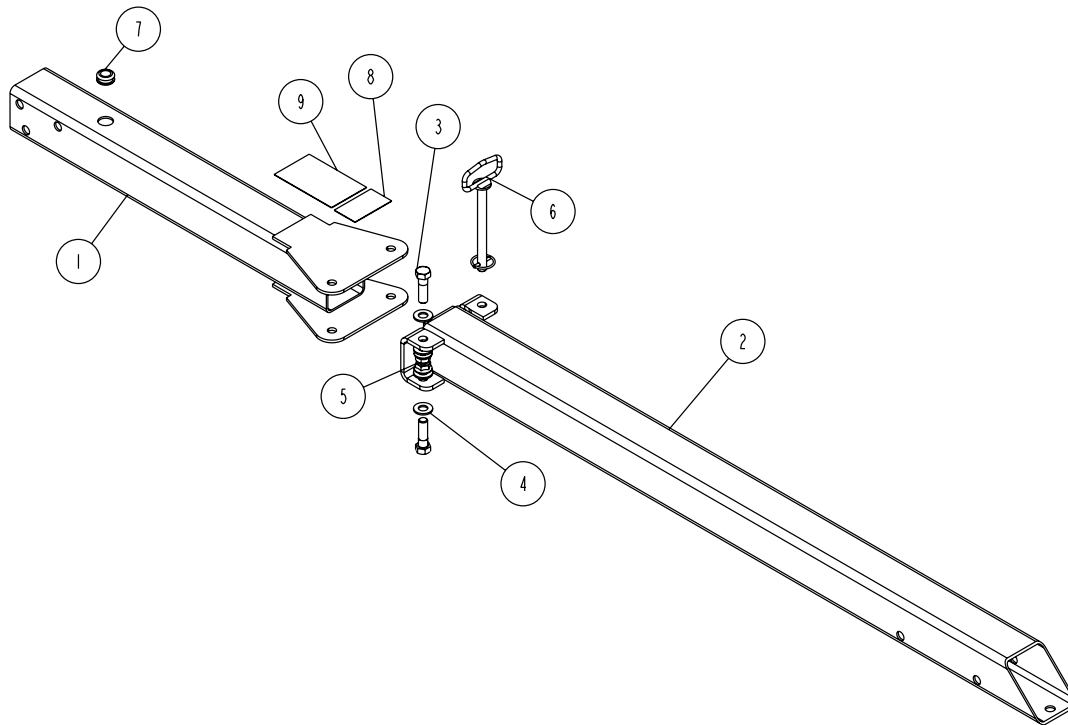
- Locate the new swing tongue and slide the rear section into the frame tongue channel.
- Align the cross hole in the new tongue with the hole in the frame tongue channel. Insert the 1/2" x 4" cross bolt just removed through the aligned hole to secure it in position. Place on the flange lock nut. **DO NOT** tighten at this point.
- Route the tongue wire harness just removed down through the hole in the top of the tongue, then backwards to the swing end.

ITEM	PART #	DESCRIPTION	QTY	NOTE
1	69574	SWINGTONG WMENT FRONT 3IN NON B	1	
2	69576	SWINGTONG WMENT REAR 3IN M	1	
3	0140096	HH 1/2-13 X 1 3/4 CS GR5	2	
4	1340100	WASHER USS FLAT 1/2	4	
5	1440102	HEX LOCKNUT FLANGE 1/2-13 W/T&T	2	
6	3110334	PIN HITCH 1/2 X4" W/CLIP PIN	1	
7	3510597	GROMMET 13/16IN WITH SPLIT 9/16ID	1	
8	4850183	DECAL SWINGTONGUE PINCH POINT	1	
9	4850422	DECAL SWINGTONGUE SAFETY INSTRUCT	1	

**CAUTION:**

Always check the tongue wire harness as you swing the tongue back into the towing position to prevent the wires from getting pinched and/or cut in the hinge area.

NOTES	
A	69575 SWINGTONGUE WMENT REAR S



- Route the wires through the bottom hole provided in the swing hinge plate and out the rear of the tongue. Place the wires through the hole provided in the tongue cap.
- Reconnect the tongue harness to the frame harnesses. Push the excess wire back into the tongue.
- Align the hole in the rear of the tongue, the tongue channel and the tongue cover. Secure with the 1/2" x 1 1/2" hex bolt and flange lock nut removed earlier. Tighten the bolt just installed plus the cross bolt installed earlier.
- Re-attach the safety chains using the hardware removed from the old tongue.
- Place the coupler on the new swing tongue, align the holes and secure with the bolts and flange lock nuts removed from the old tongue.
- Tighten all of the bolts not tightened at this time.
- Assembly is complete.
- Position the winch post assembly on the new swing tongue so it matches the distance from the frame tongue channel it was mounted on the old tongue. Secure in place using the bolts removed earlier.
- Place the boat on the trailer. Winch the boat into the winch post bow roller and check for proper winch post adjustment.
- If satisfactory, assembly is complete.