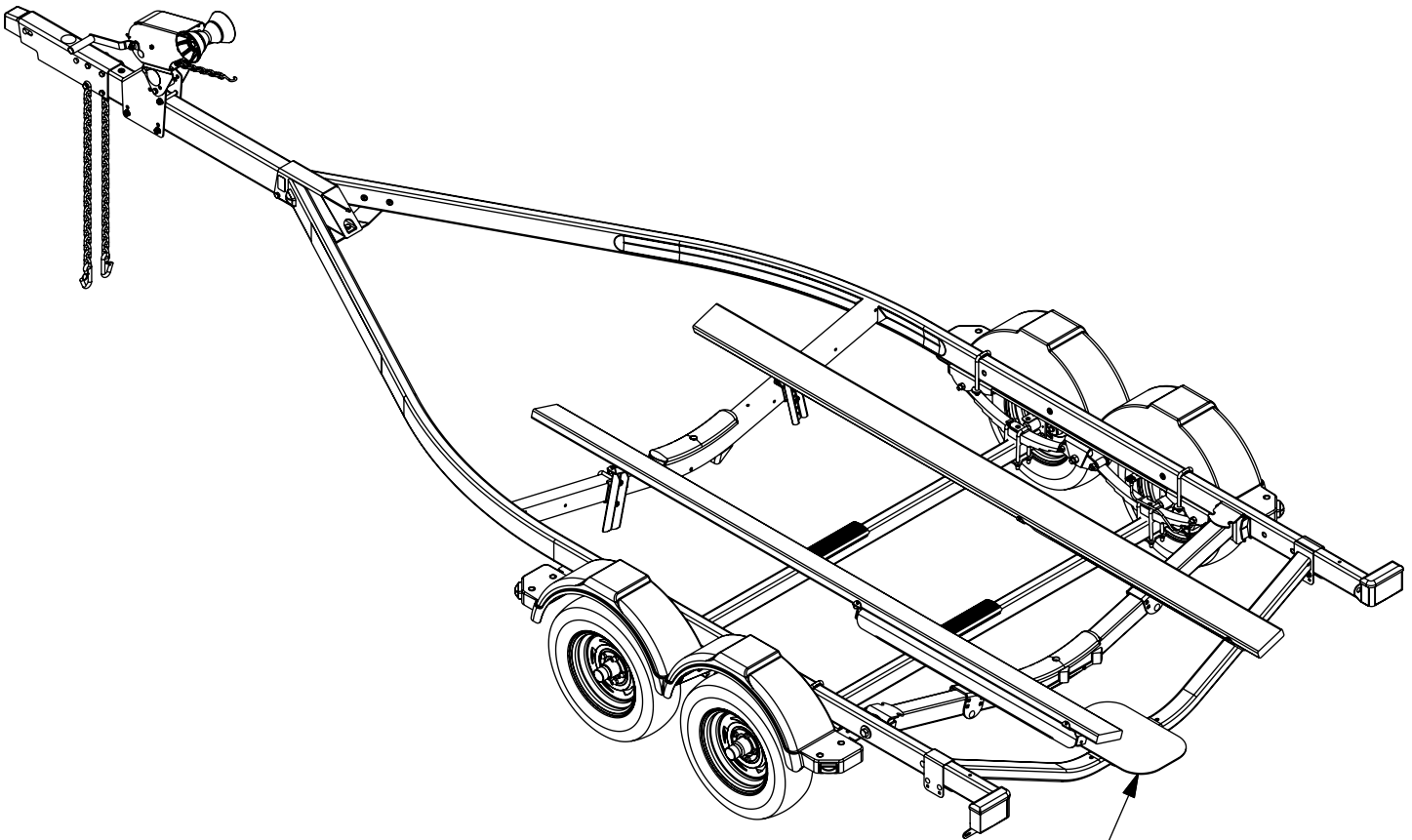


### TA0102 Prop Protector for 2X4X80" and 2X5X80" Wide Trailers

### TA0103 Prop Protector for 2X4X74" Wide Trailers



TA0102 - INBOARD PROP PROTECTOR 80/W  
TA0103 - INBOARD PROP PROTECTOR 74/W

The **TA0102** and **TA0103** are optional prop protectors that can be added to either the standard series or the LE series of trailers to protect the prop of an inboard boat when placed on the trailer.

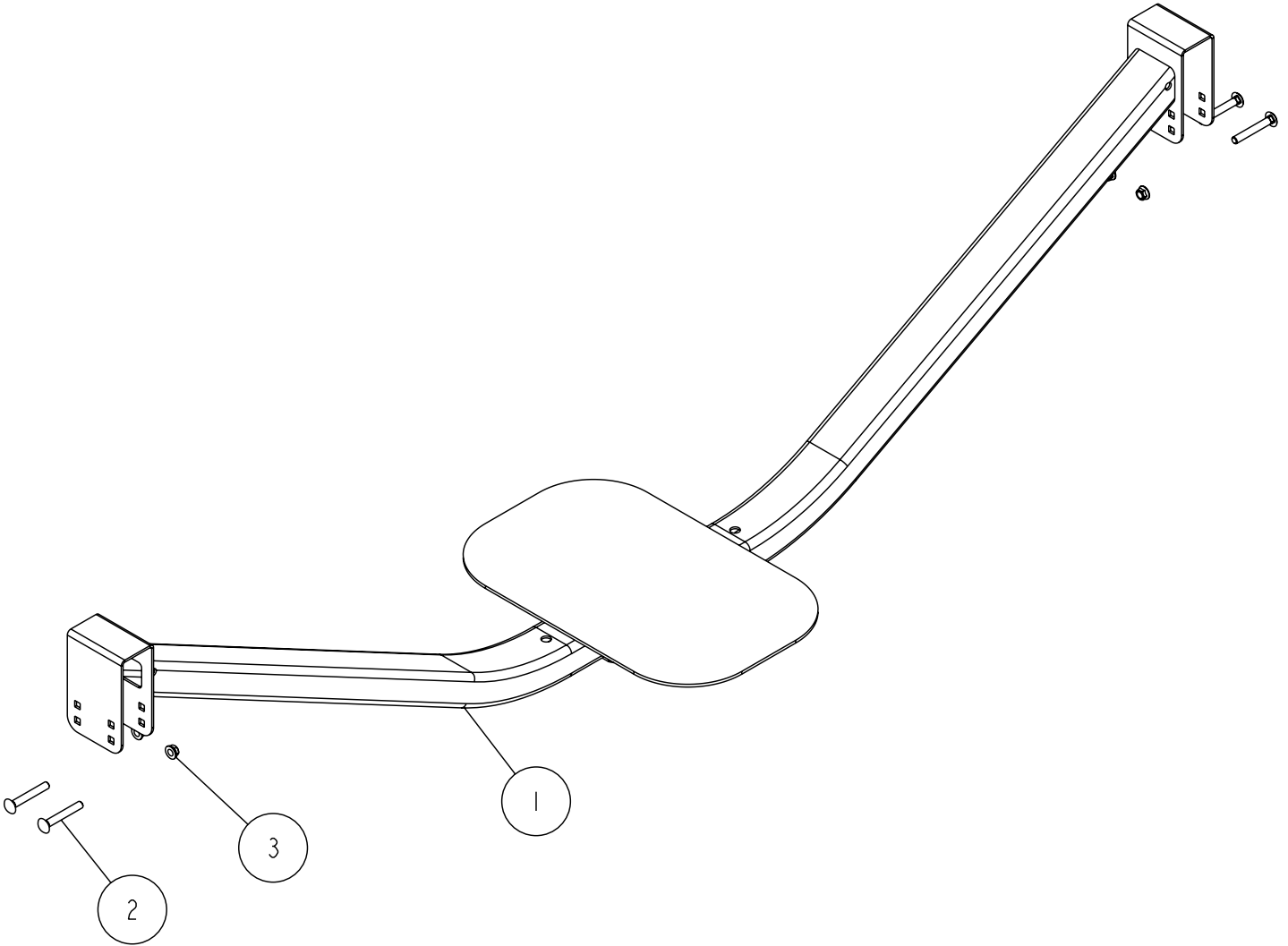
The **TA0102** is designed to fit:

2" x 4" x 80" wide standard and LE series trailer frames and  
2" x 5" x 80" wide standard and LE series trailer frames

The **TA0103** is designed to fit:

2" x 4" x 74" wide standard series trailer frames

ITEM	PART #	DESCRIPTION	QTY	NOTE
1	69225	PROP PROTECTOR WMENT 80/W	1	A
2	0210126	CARR 3/8-16 X 2 3/4 GR5	4	
3	1440101	HEX LOCKNUT FLANGE 3/8-16 W/T&T	4	
NOTES				
A	69226	PROP PROTECTOR WMENT - 74/W	1	



### Installation Instructions

- The prop protector is supplied with all of the required attaching hardware.
- Identify the correct width prop protector to fit your trailer.
- Set the prop protector on the top side of the frame as shown so the mounting channels on each end are positioned directly above the side frame of the trailer.
- Position the prop protector forward or backward on the trailer side frame to protect the prop of the boat. Once located, slide the prop protector weldment down over the trailer side frames.
- Secure in position using the 1/2" x 2 3/4" carriage bolts and 1/2" lock nuts provided.
- Assembly is complete.