

- TA0056 Swing Tongue Assembly - 3" Fishing Series 7'**
- TA0057 Swing Tongue Assembly - 3" Fishing Series 8' 6"**
- TA0058 Swing Tongue Assembly - 3" Fishing Series 10'**

TA0056, TA0057 & TA0058 FISHING SERIES SWING TONGUE INSTALLATION INSTRUCTIONS

The swing tongues for the fishing series come in three different lengths that match the different tongue length offerings for the original trailer. The standard tongue length is replaced by the following swing tongue:

STANDARD TONGUE LENGTH	SWING TONGUE REPLACEMENT
7'-0"	TA0056
8'-6"	TA0057
10'-0"	TA0058

REMOVAL OF THE STANDARD TONGUE AND REASSEMBLY OF IT'S COMPONENT PARTS

1. Remove the boat from the trailer.
2. Remove the winch post assembly from the tongue.
3. Remove the rubber grommet from around the tongue wire harness at the rear of the tongue. Unplug the wire harness from the frame harness.
4. Loosen and remove the bolts attaching the standard tongue into the frame. There are two bolts to remove, one bolt attaching the tongue to the frame cross member and one cross bolt through the tongue channel.
5. Slide the tongue forward out of the front of the trailer frame.
6. Remove the coupler from the standard tongue and re-mount it on the swing tongue using the same attaching bolts and nuts just removed.
7. Remove the safety chains and reattach them in the same manner as they were installed on the standard tongue.
8. Remove the wire harness from the standard tongue by removing the rubber grommet in the hole in the top of the tongue. Slip the rear plug through the hole in the rear of the tongue and then carefully pull the wire harness forward and out the top hole in the tongue.
9. Place the plug of the wire harness that mates the frame harness into the top hole in the swing portion of the swing tongue.
10. Route the wire harness to the rear of the front swing tongue weldment (Ref#1). Continue to route the wire harness through either hole on rear swing tongue weld-

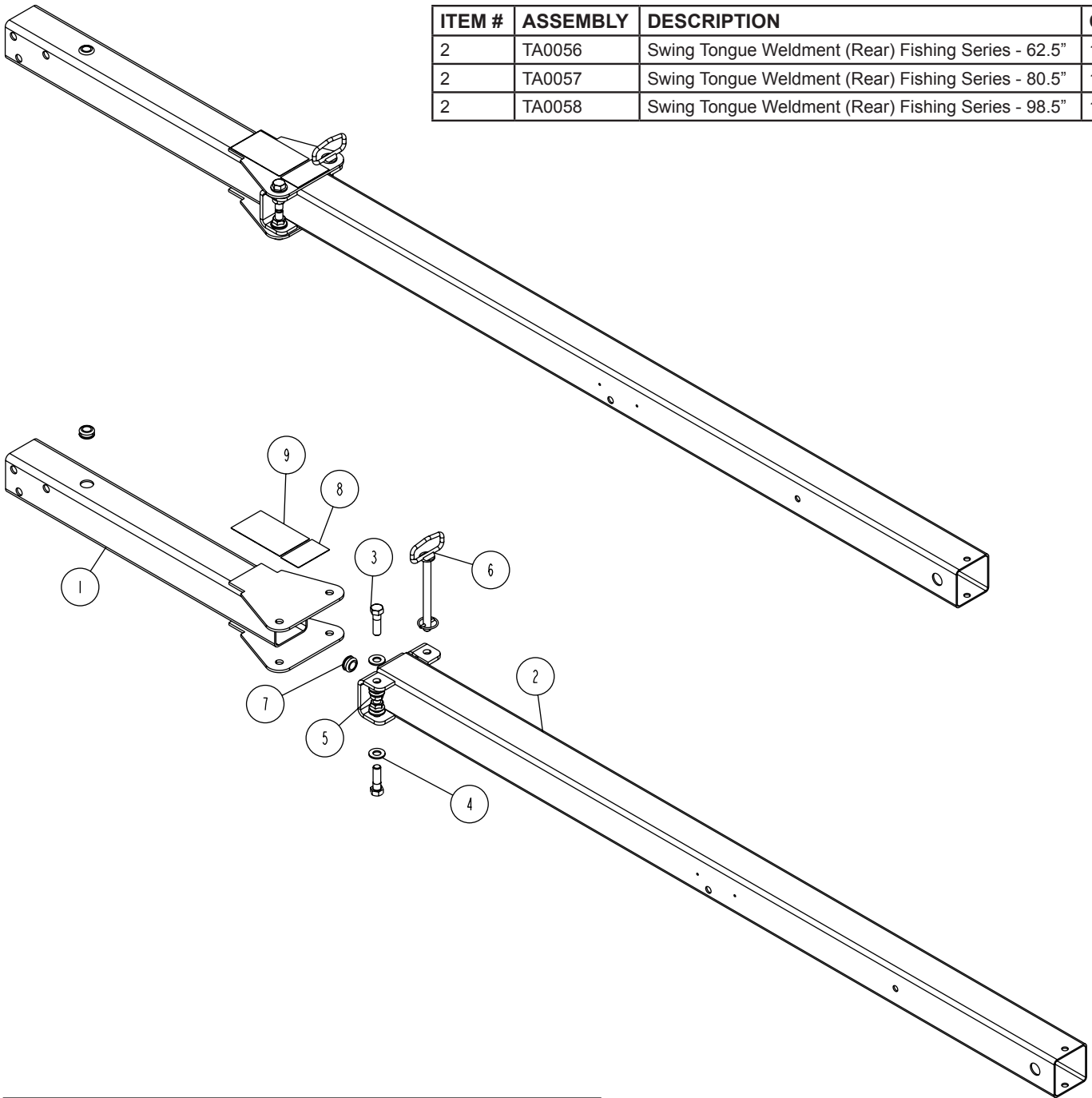
ment (Ref#2). Secure wire harness in the rear swing tongue weldment plate with a rubber grommet. This will prevent the insulation or coating from being worn due to normal use. Continue to route the wire harness to the rear of the rear swing tongue weldment and then out the wire hole in the side of the swing tongue.

11. Place the rubber grommet around the wire harness where it comes out of the hole in the top of the front swing tongue weldment.

INSTALLATION OF THE SWING TONGUE INTO THE FRAME

1. Place the rear portion of the swing tongue into the frame tongue channel and slide it backward until the end the tongue is inside the front cross member.
2. Attach it to the cross member using the 3/8" x 4" carriage bolt used to attach in the standard tongue. Secure with the 3/8" lock nut.
3. Align the cross hole in the swing tongue with the hole in the frame tongue channel. Secure with the 3/8" x 4" hex bolt and lock nut used to secure the standard tongue.
4. Tighten the two bolts.
5. Plug the tongue harness into the mating frame harness plug. Feed all the additional tongue wire harness removed to make the connection back into the inside of the tongue. Re-insert the rubber grommet.
6. Position the boat on the trailer so it is properly supported by the trailer. Attach the winch post assembly to the swing tongue and slide it so the bow stop is directly above the bow eye of the boat. The winch post should not need to be readjusted because the swing tongue should be at the exact location as the standard tongue removed. Secure with the bolts used to attach it to the standard tongue.
7. Check all fasteners loosened during the replacement. Assembly is complete.

CAUTION: Always make sure the swing tongue latch pin is completely inserted into the swing tongue assembly and is secured with the hairpin cotter key. Failure to do so may result in the swing tongue swinging open during towing. This could result in loss of control and may cause property damage and/or personal injury.



ITEM #	ASSEMBLY	DESCRIPTION	QTY
2	TA0056	Swing Tongue Weldment (Rear) Fishing Series - 62.5"	1
2	TA0057	Swing Tongue Weldment (Rear) Fishing Series - 80.5"	1
2	TA0058	Swing Tongue Weldment (Rear) Fishing Series - 98.5"	1

ITEM	PART #	DESCRIPTION	QTY	NOTE
1	69574	SWINGTONG WMENT FRONT 3IN NON B	1	
2	69579	SWINGTONG WMENT REAR FISH S	1	A
3	0140096	HH 1/2-13 X 1 3/4 CS GR5	2	
4	1340100	WASHER USS FLAT 1/2	4	
5	1440102	HEX LOCKNUT FLANGE 1/2-13 W/T&T	2	
6	3110334	PIN HITCH 1/2 X4" W/CLIP PIN	1	
7	3510597	GROMMET 13/16IN WITH SPLIT 9/16ID	2	
8	4850183	DECAL SWINGTONGUE PINCH POINT	1	
9	4850422	DECAL SWINGTONGUE SAFETY INSTRUCT	1	
-	5110599	HARNES TONGUE LOOM 13FT 10 IN	1	

NOTES	
A	TA0057 WILL USE 69578.. REAR TA0058 WILL USE 69577.. REAR