

| | | | | |
|-----------|----------------|------------|----------|--|
| C | 15505 | MJH | 06-15-12 | ADDED (4)229-00316. |
| B | 15036 | KMH | 04-07-10 | REPLACED 208-00013 WITH 208-00049; 210-00025 WITH 210-00207 - (2X); 210-00046 WITH 210-00330; 210-00047 WITH 210-00061; 210-00048 WITH 210-00076 |
| DWG. REV. | ECR/NDR NUMBER | REVISED BY | DATE | DESCRIPTION |

ALL DIMENSIONS ARE IN INCHES
UNLESS OTHERWISE STATED
TOLERANCES EXCEPT AS NOTED

DECIMALS:
 .X ±0.100
 .XX ±0.060
 .XXX ±0.030
 .XXXX ±0.010

ANGLES:
 ±1°

ALL FORMED ANGLES
 EQUAL 90° UNLESS
 NOTED OTHERWISE

() INDICATES REFERENCE

THE INFORMATION IN THIS DRAWING IS THE SOLE
 PROPERTY OF KARAVAN TRAILERS, INC. ANY
 REPRODUCTION IN WHOLE OR IN PART WITHOUT
 THE WRITTEN PERMISSION OF KARAVAN TRAILERS,
 INC. IS PROHIBITED.

APPROVED BY:
 ~ ~

DRAWN BY: ~
MATTHEW J. HEINEN

DATE: 4/04/2008

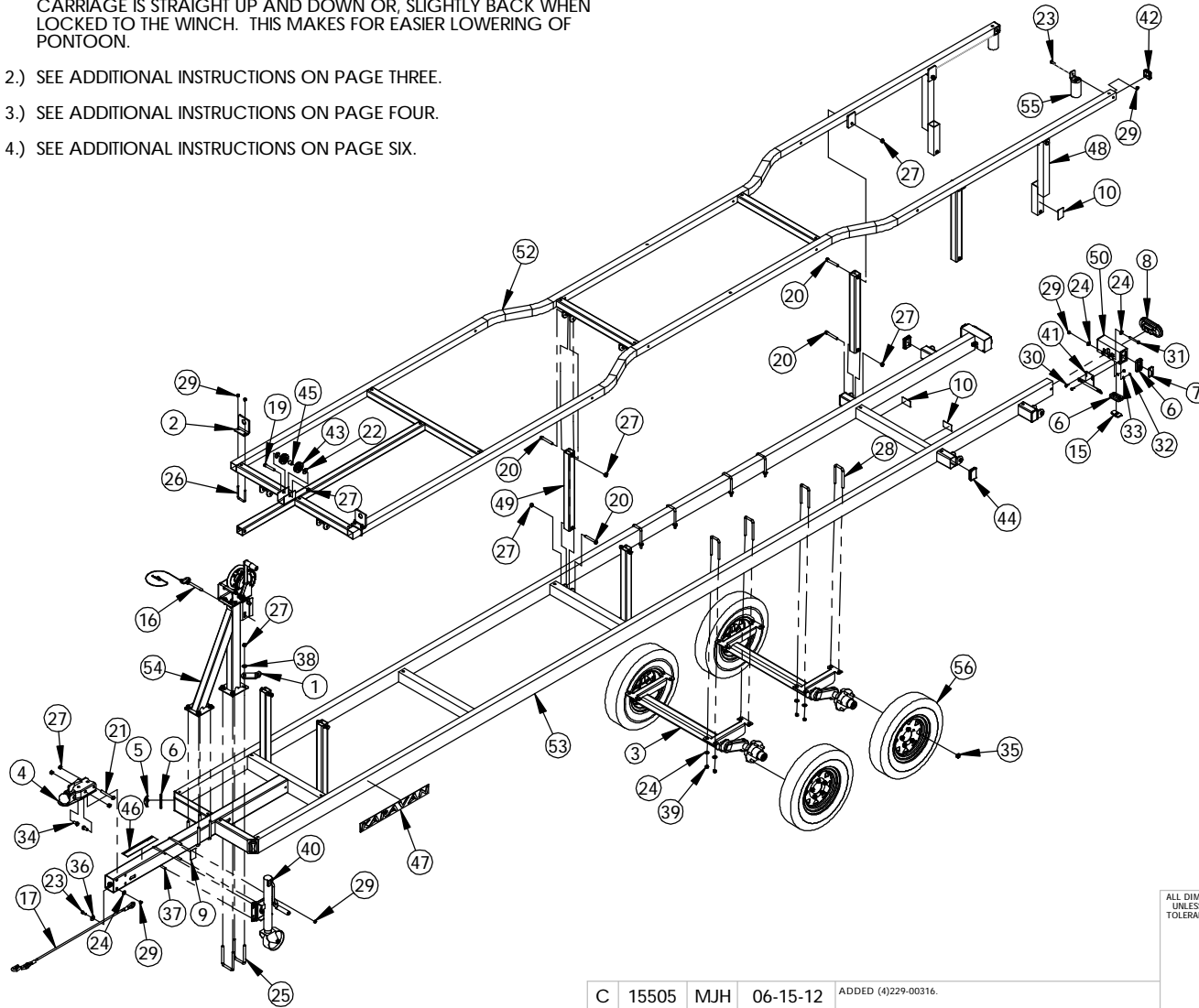
SHEET: 1 OF 7

SCALE: N/A

| | |
|----------------------------|------------------------|
| KARAVAN TRAILERS | |
| TITLE: | KPS-222 (TORSION) |
| MAT'L: | SEE B.O.M. |
| FINISH: | N/A |
| DWG. #: | KPS-222-TORSION |

NOTES:

- 1.) WINCH SHOULD BE MOUNTED IN SUCH A POSITION THAT THE TOP CARRIAGE IS STRAIGHT UP AND DOWN OR, SLIGHTLY BACK WHEN LOCKED TO THE WINCH. THIS MAKES FOR EASIER LOWERING OF PONTOON.
- 2.) SEE ADDITIONAL INSTRUCTIONS ON PAGE THREE.
- 3.) SEE ADDITIONAL INSTRUCTIONS ON PAGE FOUR.
- 4.) SEE ADDITIONAL INSTRUCTIONS ON PAGE SIX.



| ITEM NO. | SEE NOTES | PART NUMBER | DESCRIPTION | QTY. |
|----------|-----------|-------------|----------------------------------|------|
| 1 | | 100-00044 | TIE DOWN BRACKET | 2 |
| 2 | | 100-00416 | FRONT STOP ANGLE | 2 |
| 3 | | 200-00017 | TORSION AXLE 2000# W/HUB | 2 |
| 4 | | 204-00007 | COUPLER | 1 |
| 5 | 3 | 205-00001 | AMBER SNAP-LOC LIGHT | 2 |
| 6 | | 205-00046 | SNAP-LOC GROMMET | 5 |
| 7 | 3, 4 | 205-00071 | RED SNAP-LOC LIGHT | 2 |
| 8 | 3, 4 | 205-00094 | TAIL LIGHT ASSY | 2 |
| 9 | | 205-00142 | AMBER REFLECTOR TAPE | 2 |
| 10 | | 205-00143 | RED REFLECTOR TAPE | 4 |
| 11 | 3 | 205-00148 | PIGTAIL | 2 |
| 12 | 3 | 205-00171 | WIRE HARNESS | 1 |
| 13 | 3 | 205-00186 | WIRE HARNESS | 1 |
| 14 | 3 | 205-00187 | WIRE HARNESS | 1 |
| 15 | 3, 4 | 205-00204 | SNAP-LOC LIGHT | 1 |
| 16 | | 207-00002 | TILT PIN | 1 |
| 17 | | 208-00049 | SAFETY CABLE AND HOOK | 2 |
| 19 | | 210-00012 | .50"-13 X 3.00" HX HD BOLT | 1 |
| 20 | | 210-00013 | .50"-13 X 3.50" HX HD BOLT | 16 |
| 21 | | 210-00014 | .50"-13 X 4.00" HX HD BOLT | 1 |
| 22 | | 210-00017 | .50" FLAT WASHER | 2 |
| 23 | | 210-00022 | .375"-16 X 1.00" HX HD BOLT | 4 |
| 24 | | 210-00025 | .375" FLAT WASHER | 22 |
| 25 | | 210-00030 | .50"-13 X 3.063" X 5.25" U-BOLT | 4 |
| 26 | | 210-00036 | .375"-16 X 2.031" X 3.25" U-BOLT | 2 |
| 27 | | 210-00061 | .50"-13 CENTERLOCK HEX NUT | 28 |
| 28 | | 210-00068 | .438"-14 X 2.25" X 5.31" U-BOLT | 8 |
| 29 | | 210-00076 | .375"-16 CENTERLOCK HEX NUT | 14 |
| 30 | | 210-00084 | .25"-20 X .75" HX HD BOLT | 2 |
| 31 | | 210-00089 | .375"-16 X 3.00" HX HD BOLT | 2 |
| 32 | | 210-00092 | .25"-20 REG. HEX NUT | 2 |
| 33 | | 210-00117 | .25" SPLIT LOCK WASHER | 2 |
| 34 | | 210-00133 | .50"-13 X 1.00" HX HD BOLT | 2 |
| 35 | | 210-00137 | .50"-20 X .813" LUG NUT | 20 |
| 36 | | 210-00207 | .375" FLAT WASHER | 2 |
| 37 | | 210-00210 | .375"-16 X 4.00" X 4.06" U-BOLT | 2 |
| 38 | | 210-00240 | .50" SAE FLAT WASHER ZINC | 8 |
| 39 | | 210-00330 | .438"-14 CENTERLOCK HEX NUT | 16 |
| 40 | | 214-00008 | TONGUE JACK | 1 |
| 41 | | 229-00006 | LICENSE PLATE BRACKET | 1 |
| 42 | 4 | 229-00026 | END CAP | 2 |
| 43 | 4 | 229-00209 | PULLEY | 2 |
| 44 | | 229-00316 | TUBE END CAP | 4 |
| 45 | 4 | 229-00342 | BUSHING | 1 |
| 46 | | 234-00032 | TRAILERING CHECKLIST | 1 |
| 47 | | 234-00060 | LOGO | 2 |
| 48 | | 300-01247 | PIVOT TUBE WELDMENT | 2 |
| 49 | 4 | 300-01666 | PIVOT TUBE WELDMENT | 6 |
| 50 | 4 | 300-01667 | TAIL LIGHT BRACKET L.H. | 1 |
| 51 | | 300-01668 | TAIL LIGHT BRACKET R.H. | 1 |
| 52 | | 300-02110 | UPPER CARRIAGE WELDMENT | 1 |
| 53 | | 300-02111 | BOTTOM CARRIAGE WELDMENT | 1 |
| 54 | 1 | 310-00393 | WINCH ASSY | 1 |
| 55 | 4 | 310-00550 | ROLLER ASSY | 2 |
| 56 | 2 | | TIRE | 4 |

| | | | | |
|-----------|----------------|------------|----------|--|
| C | 15505 | MJH | 06-15-12 | ADDED (4)229-00316. |
| B | 15036 | KMH | 04-07-10 | REPLACED 208-00013 WITH 208-00049; 210-00025 WITH 210-00207 (2X); 210-00046 WITH 210-00330; 210-00047 WITH 210-00061; 210-00048 WITH 210-00076 |
| DWG. REV. | ECR/NDR NUMBER | REVISED BY | DATE | DESCRIPTION |

ALL DIMENSIONS ARE IN INCHES UNLESS OTHERWISE STATED TOLERANCES EXCEPT AS NOTED
 DECIMALS:
 .X ±0.100
 XX ±0.060
 XXX ±0.030
 XXXX ±0.010
 ANGLES:
 ±1°
 ALL FORMED ANGLES EQUAL 90° UNLESS NOTED OTHERWISE
 () INDICATES REFERENCE

THE INFORMATION IN THIS DRAWING IS THE SOLE PROPERTY OF KARAVAN TRAILERS, INC. AND IS TO BE KEPT IN CONFIDENCE. NO PART OF THIS DRAWING IS TO BE REPRODUCED OR TRANSMITTED IN ANY FORM OR BY ANY MEANS, ELECTRONIC OR MECHANICAL, INCLUDING PHOTOCOPYING, RECORDING, OR BY ANY INFORMATION STORAGE AND RETRIEVAL SYSTEM, WITHOUT THE WRITTEN PERMISSION OF KARAVAN TRAILERS, INC. © 2008
 APPROVED BY:
 ~ ~
 DRAWN BY: ~
MATTHEW J. HEINER
 DATE: 4/04/2008
 SHEET: 2 OF 7
 SCALE: NA

KARAVAN
TRAILERS

TITLE: KPS-222 (TORSION)

MAT'L: SEE B.O.M.

FINISH: N/A

DWG. #: **KPS-222-TORSION**

| OPTIONS | | |
|---------------------|-------|--------------------|
| KPS- 222 4.80 X 12C | PARTS | KPS-222 5.30 X 12D |
| 220-00019 | TIRES | 220-00060 |

| DWG. REV. | ECR/NDR NUMBER | REVISED BY | DATE | DESCRIPTION |
|-----------|----------------|------------|----------|--|
| C | 15505 | MJH | 06-15-12 | ADDED (4)229-00316. |
| B | 15036 | KMH | 04-07-10 | REPLACED 208-00013 WITH 208-00049; 210-00025 WITH 210-00207 - (2X); 210-00046 WITH 210-00330; 210-00047 WITH 210-00061; 210-00048 WITH 210-00076 |

ALL DIMENSIONS ARE IN INCHES
UNLESS OTHERWISE STATED
TOLERANCES EXCEPT AS NOTED

DECIMALS:
.X ±0.100
.XX ±0.060
.XXX ±0.030
.XXXX ±0.010

ANGLES:
±1*

ALL FORMED ANGLES
EQUAL 90° UNLESS
NOTED OTHERWISE

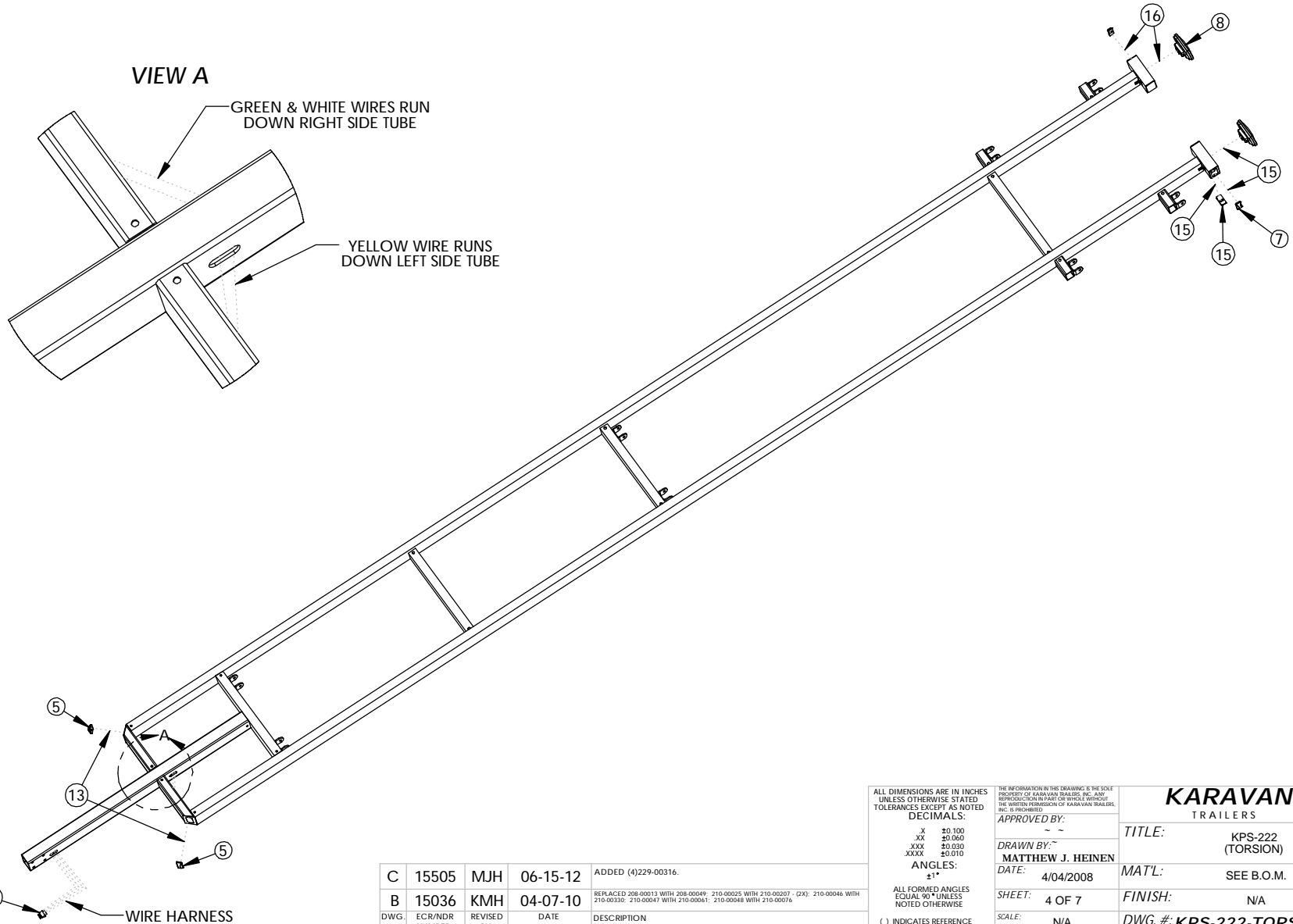
() INDICATES REFERENCE

THE INFORMATION IN THIS DRAWING IS THE SOLE
PROPERTY OF KARAVAN TRAILERS, INC. ANY
REPRODUCTION IN WHOLE OR IN PART WITHOUT
THE WRITTEN PERMISSION OF KARAVAN TRAILERS,
INC. IS PROHIBITED.

APPROVED BY: ~ ~
DRAWN BY: ~ ~
MATTHEW J. HEINEN
DATE: 4/04/2008

SHEET: 3 OF 7
SCALE: N/A

| KARAVAN TRAILERS | |
|----------------------------|------------------------|
| TITLE: | KPS-222 (TORSION) |
| MAT'L: | SEE B.O.M. |
| FINISH: | N/A |
| DWG. #: | KPS-222-TORSION |



ALL DIMENSIONS ARE IN INCHES
UNLESS OTHERWISE STATED
TOLERANCES EXCEPT AS NOTED

DECIMALS:
 .X ±0.100
 .XX ±0.060
 .XXX ±0.030
 .XXXX ±0.010

ANGLES:
 ±1°

ALL FORMED ANGLES
 EQUAL 90° UNLESS
 NOTED OTHERWISE

() INDICATES REFERENCE

THE INFORMATION IN THIS DRAWING IS THE SOLE
 PROPERTY OF KARAVAN TRAILERS, INC. ANY
 REPRODUCTION IN PART OR WHOLE WITHOUT
 THE WRITTEN PERMISSION OF KARAVAN TRAILERS,
 INC. IS PROHIBITED.

APPROVED BY:
 ~ ~

DRAWN BY: ~
MATTHEW J. HEINEN

DATE: 4/04/2008

SHEET: 4 OF 7

SCALE: N/A

KARAVAN
TRAILERS

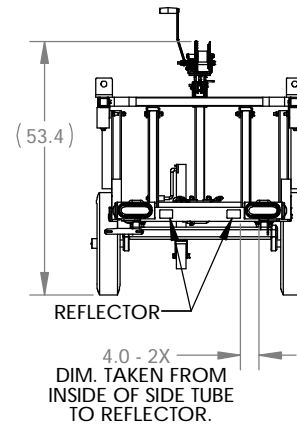
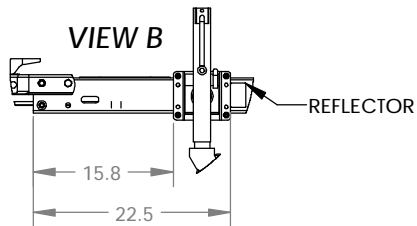
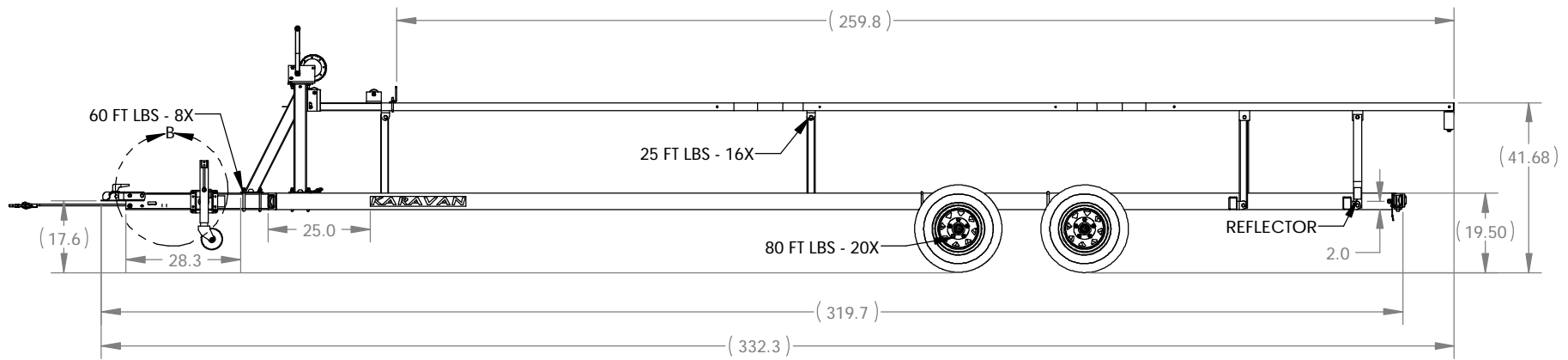
TITLE: KPS-222
(TORSION)

MAT'L: SEE B.O.M.

FINISH: N/A

DWG. #: **KPS-222-TORSION**

| | | | | |
|-----------|----------------|------------|----------|--|
| C | 15505 | MJH | 06-15-12 | ADDED (4)229-00316. |
| B | 15036 | KMH | 04-07-10 | REPLACED 208-00013 WITH 208-00049; 210-00025 WITH 210-00207 - (2X); 210-00046 WITH 210-00330; 210-00047 WITH 210-00061; 210-00048 WITH 210-00076 |
| DWG. REV. | ECR/NDR NUMBER | REVISED BY | DATE | DESCRIPTION |



NOTES:

- 5.) TORQUE CALLOUTS IN PARENTHESIS ARE FOR REFERENCE. TIGHTEN FASTENERS UNTIL PINCHED TIGHT (DO NOT OVER TIGHTEN BUNK PIVOT POINTS). MINOR DEFLECTION OF MATERIAL IS ACCEPTABLE

| DWG. REV. | ECR/NDR NUMBER | REVISED BY | DATE | DESCRIPTION |
|-----------|----------------|------------|----------|--|
| C | 15505 | MJH | 06-15-12 | ADDED (4)229-00316. |
| B | 15036 | KMH | 04-07-10 | REPLACED 208-00013 WITH 208-00049; 210-00025 WITH 210-00207 - (2X); 210-00046 WITH 210-00330; 210-00047 WITH 210-00061; 210-00048 WITH 210-00076 |

ALL DIMENSIONS ARE IN INCHES UNLESS OTHERWISE STATED TOLERANCES EXCEPT AS NOTED

DECIMALS:
 .X ±0.100
 .XX ±0.060
 .XXX ±0.030
 .XXXX ±0.010

ANGLES:
 ±1°

ALL FORMED ANGLES EQUAL 90° UNLESS NOTED OTHERWISE

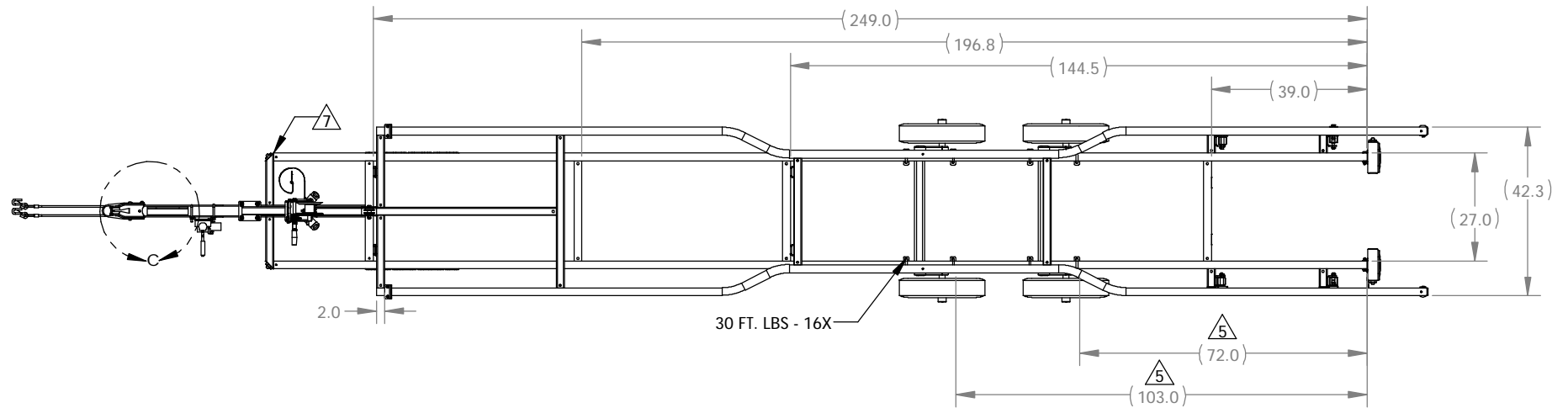
() INDICATES REFERENCE

THE INFORMATION IN THIS DRAWING IS THE SOLE PROPERTY OF KARAVAN TRAILERS, INC. ANY REPRODUCTION IN PART OR WHOLE WITHOUT THE WRITTEN PERMISSION OF KARAVAN TRAILERS, INC. IS PROHIBITED.

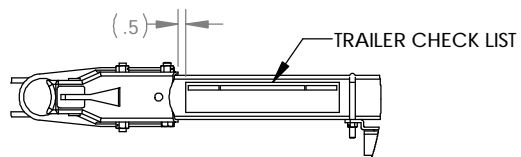
APPROVED BY: ~ ~
 DRAWN BY: ~ ~
MATTHEW J. HEINEN
 DATE: 4/04/2008

SHEET: 5 OF 7
 SCALE: N/A

| KARAVAN TRAILERS | |
|----------------------------|------------------------|
| TITLE: | KPS-222 (TORSION) |
| MAT'L: | SEE B.O.M. |
| FINISH: | N/A |
| DWG. #: | KPS-222-TORSION |



VIEW C



NOTES:

△6 DIMENSION IS FROM THE BACK OF THE AXLE MOUNTING BRACKET TO THE BACK OF THE FRAME.

△7 DIMENSION INDICATES THE SET LOCATION OF THE RIGHT EDGE OF THE PIN STAMPER.

| DWG. REV. | ECR/NDR NUMBER | REVISED BY | DATE | DESCRIPTION |
|-----------|----------------|------------|----------|--|
| C | 15505 | MJH | 06-15-12 | ADDED (4)229-00316. |
| B | 15036 | KMH | 04-07-10 | REPLACED 208-00013 WITH 208-00049; 210-00025 WITH 210-00207 - (2X); 210-00046 WITH 210-00330; 210-00047 WITH 210-00061; 210-00048 WITH 210-00076 |

ALL DIMENSIONS ARE IN INCHES UNLESS OTHERWISE STATED TOLERANCES EXCEPT AS NOTED

DECIMALS:
 .X ±0.100
 .XX ±0.060
 .XXX ±0.030
 .XXXX ±0.010

ANGLES:
 ±1°

ALL FORMED ANGLES EQUAL 90° UNLESS NOTED OTHERWISE

() INDICATES REFERENCE

THE INFORMATION IN THIS DRAWING IS THE SOLE PROPERTY OF KARAVAN TRAILERS, INC. ANY REPRODUCTION IN PART OR WHOLE WITHOUT THE WRITTEN PERMISSION OF KARAVAN TRAILERS, INC. IS PROHIBITED.

APPROVED BY:
 ~ ~
 DRAWN BY: ~ ~
MATTHEW J. HEINEN
 DATE: 4/04/2008

SHEET: 6 OF 7
 SCALE: N/A

KARAVAN
TRAILERS

TITLE: KPS-222 (TORSION)

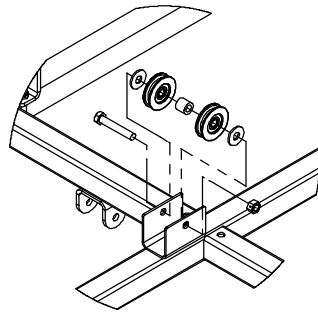
MAT'L: SEE B.O.M.

FINISH: N/A

DWG. #: KPS-222-TORSION

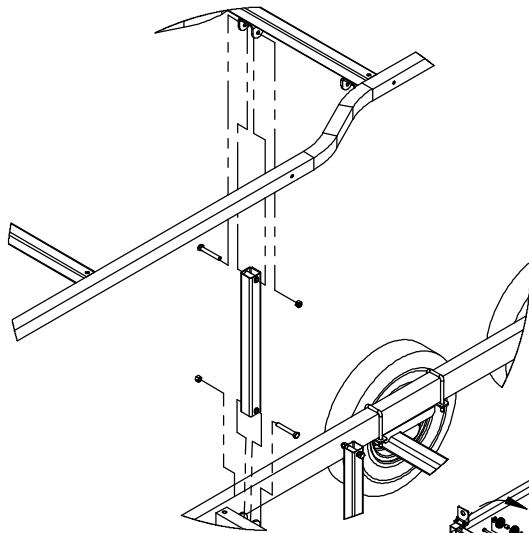
PULLEY ASSEMBLY INSTRUCTIONS

VIEW 1



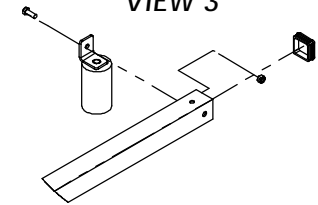
CARRIAGE PIVOT ASSEMBLY INSTRUCTIONS

VIEW 2



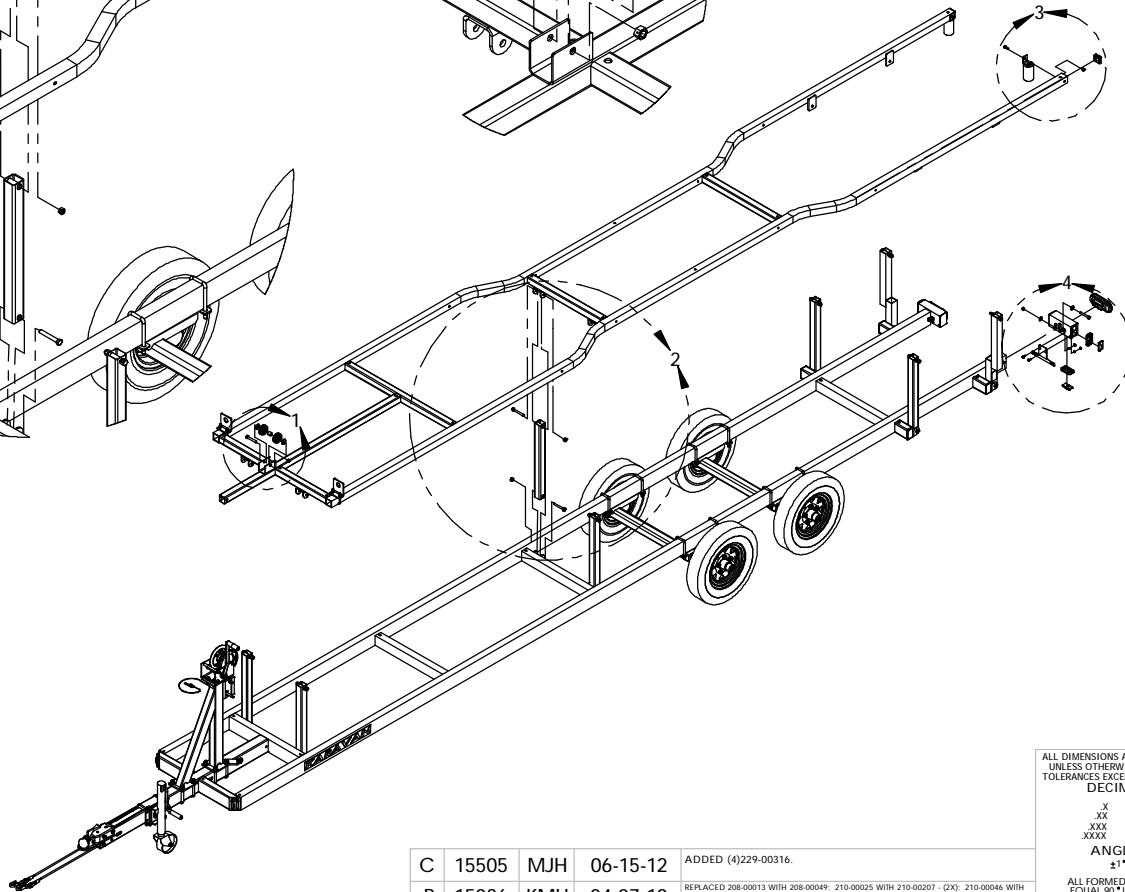
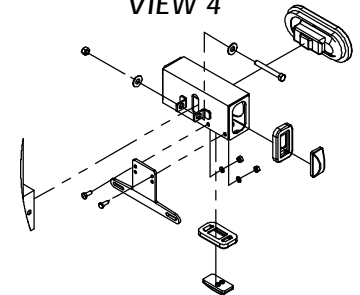
ROLLER ASSEMBLY INSTRUCTIONS

VIEW 3



TAIL LIGHT/LICENSE PLATE ASSEMBLY INSTRUCTIONS

VIEW 4



ALL DIMENSIONS ARE IN INCHES
UNLESS OTHERWISE STATED
TOLERANCES EXCEPT AS NOTED

DECIMALS:

.X ±0.100
.XX ±0.060
.XXX ±0.030
.XXXX ±0.010

ANGLES:
±1°

ALL FORMED ANGLES
EQUAL 90° UNLESS
NOTED OTHERWISE

() INDICATES REFERENCE

THE INFORMATION IN THIS DRAWING IS THE SOLE
PROPERTY OF KARAVAN TRAILERS, INC. ANY
REPRODUCTION OR IN PART OR WHOLE WITHOUT
THE WRITTEN PERMISSION OF KARAVAN TRAILERS,
INC. IS PROHIBITED.

APPROVED BY:

~ ~

DRAWN BY: ~
MATTHEW J. HEINEN

DATE: 4/04/2008

SHEET: 7 OF 7

SCALE: N/A

KARAVAN
TRAILERS

TITLE: KPS-222
(TORSION)

MAT'L: SEE B.O.M.

FINISH: N/A

DWG. #: KPS-222-TORSION

| | | | | |
|-----------|----------------|------------|----------|--|
| C | 15505 | MJH | 06-15-12 | ADDED (4)229-00316. |
| B | 15036 | KMH | 04-07-10 | REPLACED 208-00013 WITH 208-00049; 210-00025 WITH 210-00207 - (2X); 210-00046 WITH 210-00330; 210-00047 WITH 210-00061; 210-00048 WITH 210-00076 |
| DWG. REV. | ECR/NDR NUMBER | REVISED BY | DATE | DESCRIPTION |