

ALL DIMENSIONS ARE IN INCHES  
UNLESS OTHERWISE STATED  
TOLERANCES EXCEPT AS NOTED

DECIMALS:

.X ±0.100  
XX ±0.060  
XXX ±0.030  
XXXX ±0.010

ANGLES:  
±1°

ALL FORMED ANGLES  
EQUAL 90° UNLESS  
NOTED OTHERWISE

( ) INDICATES REFERENCE

THE INFORMATION IN THIS DRAWING IS THE SOLE  
PROPERTY OF KARAVAN TRAILERS, INC. ANY  
REPRODUCTION IN PART OR WHOLE WITHOUT  
THE WRITTEN PERMISSION OF KARAVAN TRAILERS,  
INC. IS PROHIBITED.

APPROVED BY:  
*DAD*

DRAWN BY:  
**MATTHEW J. HEINEN**

DATE: 01-19-07

SHEET: 1 OF 6

SCALE: N/A



TITLE: KPS-220  
(SPRING)

MAT'L: SEE B.O.M.

FINISH: N/A

DWG. #: KPS-220-SPRING

D	15036	KMH	10-13-10	REMOVED 210-00077, 210-00317 & 210-00329
C	13748	MJH	04-10-07	ADDED (8) 210-00025.
DWG. REV.	ECR/NDR NUMBER	REVISED BY	DATE	DESCRIPTION

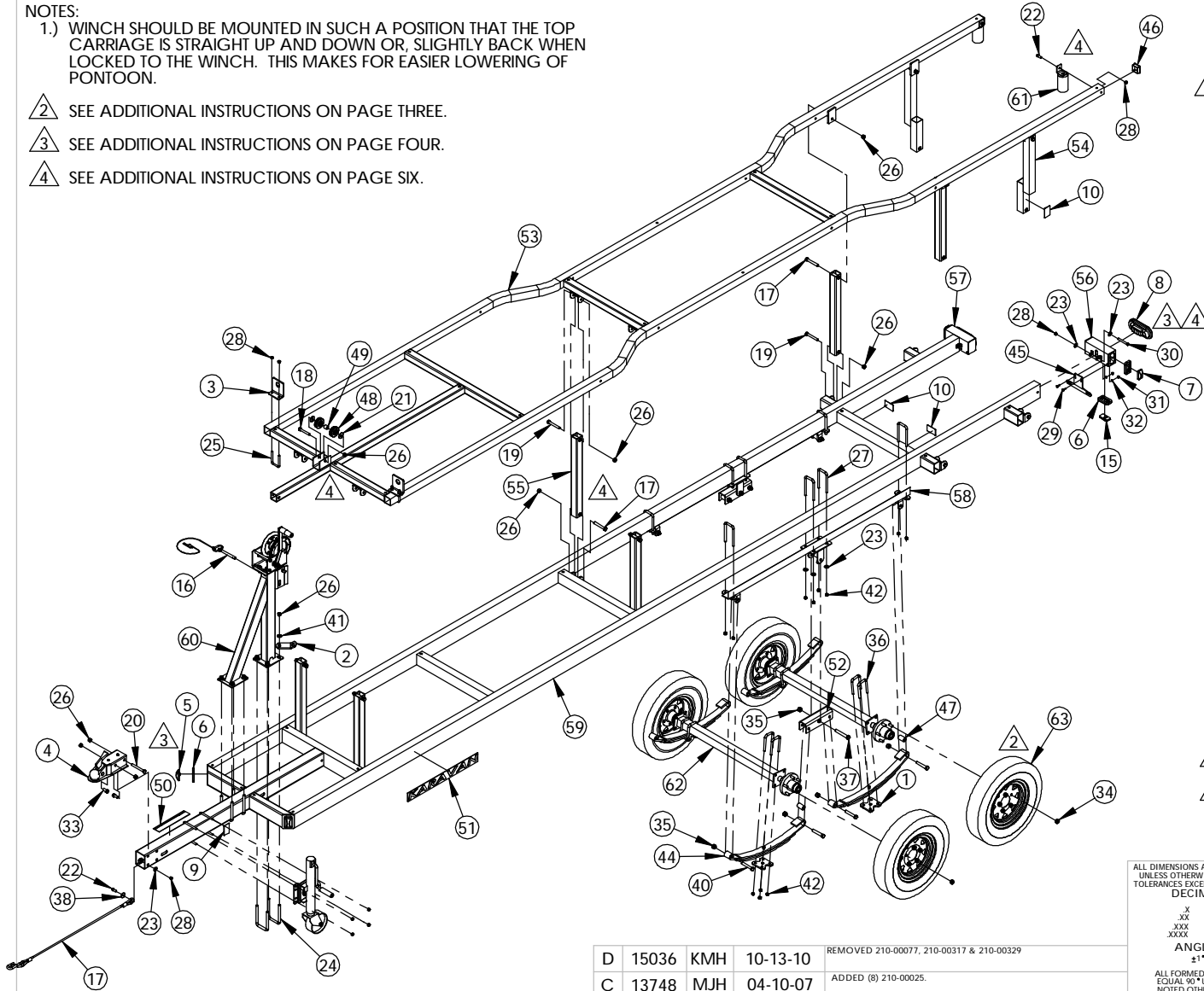
NOTES:

1.) WINCH SHOULD BE MOUNTED IN SUCH A POSITION THAT THE TOP CARRIAGE IS STRAIGHT UP AND DOWN OR, SLIGHTLY BACK WHEN LOCKED TO THE WINCH. THIS MAKES FOR EASIER LOWERING OF PONTOON.

2. SEE ADDITIONAL INSTRUCTIONS ON PAGE THREE.

3. SEE ADDITIONAL INSTRUCTIONS ON PAGE FOUR.

4. SEE ADDITIONAL INSTRUCTIONS ON PAGE SIX.



ITEM NO.	PART NUMBER	DESCRIPTION	QTY.
1	100-00042	SPRING PAD	4
2	100-00044	TIE DOWN BRACKET	2
3	100-00416	FRONT STOP ANGLE	2
4	204-00007	COUPLER	1
5	205-00001	AMBER SNAP-LOC LIGHT	2
6	205-00046	SNAP-LOC GROMMET	5
7	205-00071	RED SNAP-LOC LIGHT	2
8	205-00094	TAIL LIGHT ASSY	2
9	205-00142	AMBER REFLECTOR TAPE	2
10	205-00143	RED REFLECTOR TAPE	4
11	205-00148	PIGTAIL	2
12	205-00170	WIRE HARNESS	1
13	205-00186	WIRE HARNESS	1
14	205-00187	WIRE HARNESS	1
15	205-00204	CLEAR SNAP-LOC LIGHT	1
16	207-00002	TILT PIN	1
17	208-00049	SAFETY CABLE AND HOOK	2
18	210-00012	50"-13 X 3.00" HX HD BOLT	1
19	210-00013	50"-13 X 3.50" HX HD BOLT	16
20	210-00014	50"-13 X 4.00" HX HD BOLT	1
21	210-00017	.50" FLAT WASHER	2
22	210-00022	.375"-16 X 1.00" HX HD BOLT	4
23	210-00025	.375" FLAT WASHER	14
24	210-00030	.50"-13 X 3.063" X 5.25" U-BOLT	4
25	210-00036	.375"-16 X 2.031" X 3.25" U-BOLT	2
26	210-00061	.50"-13 CENTERLOCK HEX NUT	28
27	210-00068	.438"-14 X 2.25" X 5.31" U-BOLT	8
28	210-00076	.375"-16 CENTERLOCK HEX NUT	14
29	210-00084	.25"-20 X .75" HX HD BOLT	2
30	210-00089	.375"-16 X 3.00" HX HD BOLT	2
31	210-00092	.25"-20 REG. HEX NUT	2
32	210-00117	.25" SPLIT LOCK WASHER	2
33	210-00133	.50"-13 X 1.00" HX HD BOLT	2
34	210-00137	.50"-20 X .813" LUG NUT	20
35	210-00157	.563"-12 NYLOCK HEX NUT	10
36	210-00193	.438"-14 X 2.098" X 4.00" U-BOLT	8
37	210-00205	.563"-12 X 4.00" HX HD BOLT	2
38	210-00207	.375" FLAT WASHER	2
39	210-00210	.375"-16 X 4.00" X 4.06" U-BOLT	2
40	210-00211	.563"-12 X 3.25" HX HD BOLT	8
41	210-00240	.50" SAE FLAT WASHER ZINC	8
42	210-00330	.438"-14 CENTERLOCK HEX NUT	32
43	214-00008	TONGUE JACK	1
44	219-00017	3-LEAF HOOK SPRING	4
45	229-00006	LICENSE PLATE BRACKET	1
46	229-00026	END CAP	2
47	229-00095	BUSHING	4
48	229-00209	PULLEY	2
49	229-00342	BUSHING	1
50	234-00032	TRAILERING CHECKLIST	1
51	234-00060	LOGO	2
52	300-00016	EQUALIZER WELDMENT	2
53	300-01102	CARRIAGE WELDMENT	1
54	300-01247	PIVOT TUBE WELDMENT	2
55	300-01666	PIVOT TUBE WELDMENT	6
56	300-01667	TAIL LIGHT BRACKET L.H.	1
57	300-01668	TAIL LIGHT BRACKET R.H.	1
58	300-01796	SPRING HANGER WELDMENT	2
59	300-01797	FRAME WELDMENT	1
60	310-00393	WINCH ASSY	1
61	310-00550	ROLLER ASSY	2
62	310-02221	AXLE ASSEMBLY	2
63		TIRES	4
		SEE OPTIONS	2

ALL DIMENSIONS ARE IN INCHES UNLESS OTHERWISE STATED TOLERANCES EXCEPT AS NOTED DECIMALS:

.X     ±0.100  
 .XX   ±0.060  
 .XXX   ±0.030  
 .XXXX   ±0.010

ANGLES:  
 ±1°

ALL FORMED ANGLES EQUAL 90° UNLESS NOTED OTHERWISE

( ) INDICATES REFERENCE

THE INFORMATION IN THIS DRAWING IS THE SOLE PROPERTY OF KARAVAN TRAILERS, INC. ANY REPRODUCTION IN PART OR WHOLE WITHOUT THE WRITTEN PERMISSION OF KARAVAN TRAILERS.

APPROVED BY:  
**DAD**

DRAWN BY:  
**MATTHEW J. HEINEN**

DATE:  
**01-19-07**

SHEET:  
**2 OF 6**

SCALE:  
**NA**

**KARAVAN TRAILERS**

TITLE: **KPS-220 (SPRING)**

MAT'L: **SEE B.O.M.**

FINISH: **NA**

DWG #: **KPS-220-SPRING**

D	15036	KMH	10-13-10	REMOVED 210-00077, 210-00317 & 210-00329
C	13748	MJH	04-10-07	ADDED (8) 210-00025.
DWG. REV.	ECR/NDR NUMBER	REVISED BY	DATE	DESCRIPTION

OPTIONS		
KPS-220 4.80 X 12C	PARTS	KPS-220 5.30 X 12D
220-00019	TIRES	220-00060

DWG. REV.	ECR/NDR NUMBER	REVISED BY	DATE	DESCRIPTION
D	15036	KMH	10-13-10	REMOVED 210-00077, 210-00317 & 210-00329
C	13748	MJH	04-10-07	ADDED (8) 210-00025.

ALL DIMENSIONS ARE IN INCHES  
UNLESS OTHERWISE STATED  
TOLERANCES EXCEPT AS NOTED

DECIMALS:  
.X ±0.100  
.XX ±0.060  
.XXX ±0.030  
.XXXX ±0.010

ANGLES:  
±1°

ALL FORMED ANGLES  
EQUAL 90° UNLESS  
NOTED OTHERWISE

( ) INDICATES REFERENCE

THE INFORMATION IN THIS DRAWING IS THE SOLE  
PROPERTY OF KARAVAN TRAILERS, INC. ANY  
REPRODUCTION IN PART OR WHOLE WITHOUT  
THE WRITTEN PERMISSION OF KARAVAN TRAILERS,  
INC. IS PROHIBITED.


APPROVED BY:  
*DAD*

DRAWN BY:  
**MATTHEW J. HEINEN**

DATE: 01-19-07

SHEET: 3 OF 6

SCALE: N/A

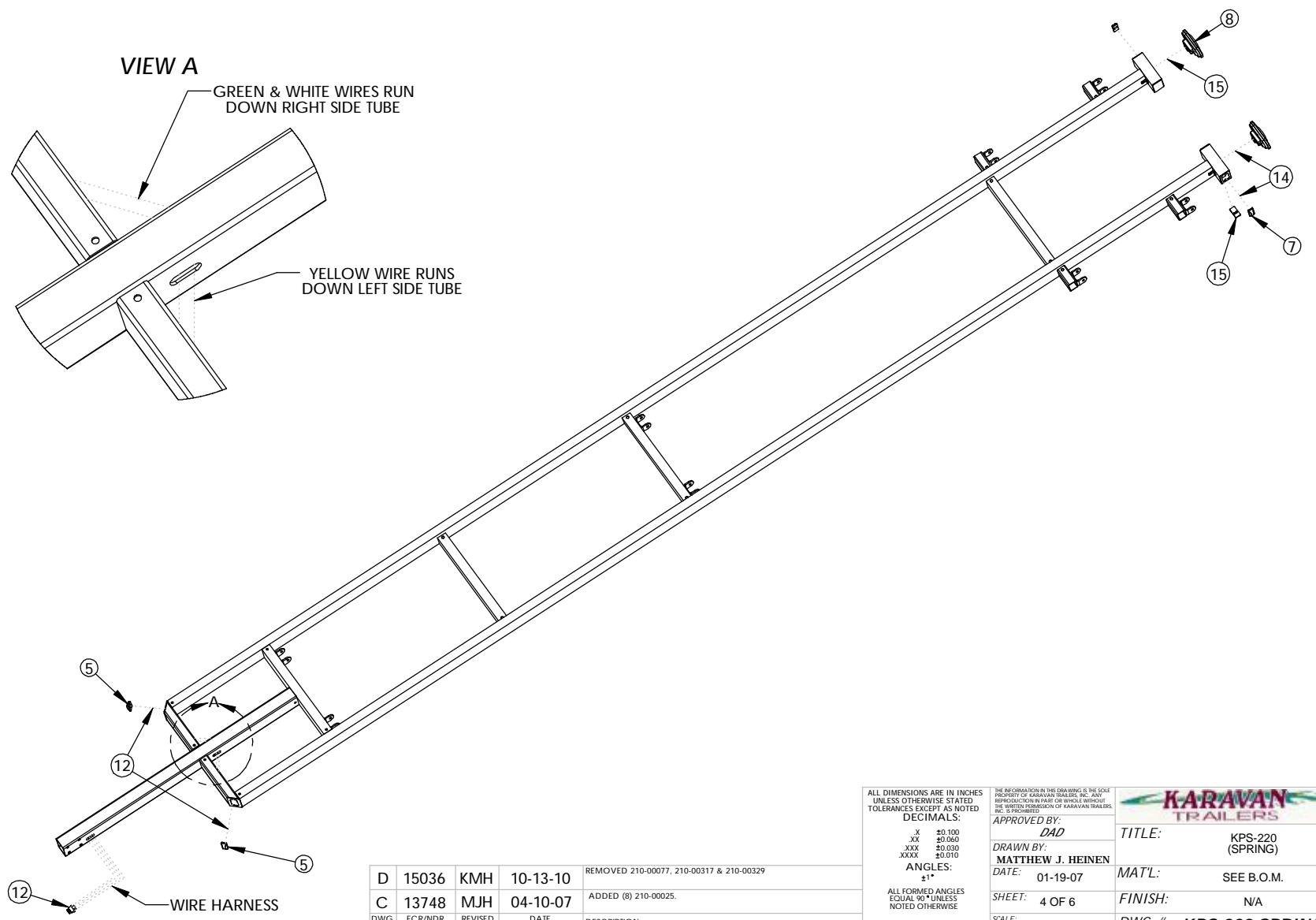


TITLE: KPS-220 (SPRING)

MAT'L: SEE B.O.M.

FINISH: N/A

DWG. #: **KPS-220-SPRING**



**VIEW A**

GREEN & WHITE WIRES RUN  
DOWN RIGHT SIDE TUBE

YELLOW WIRE RUNS  
DOWN LEFT SIDE TUBE

WIRE HARNESS

D	15036	KMH	10-13-10	REMOVED 210-00077, 210-00317 & 210-00329
C	13748	MJH	04-10-07	ADDED (8) 210-00025.
DWG. REV.	ECR/NDR NUMBER	REVISED BY	DATE	DESCRIPTION

ALL DIMENSIONS ARE IN INCHES  
UNLESS OTHERWISE STATED  
TOLERANCES EXCEPT AS NOTED

DECIMALS:  
 .X ±0.100  
 .XX ±0.060  
 .XXX ±0.030  
 .XXXX ±0.010

ANGLES:  
 ±1°

ALL FORMED ANGLES  
 EQUAL 90° UNLESS  
 NOTED OTHERWISE

( ) INDICATES REFERENCE

THE INFORMATION IN THIS DRAWING IS THE SOLE  
 PROPERTY OF KARAVAN TRAILERS, INC. ANY  
 REPRODUCTION IN PART OR WHOLE WITHOUT  
 THE WRITTEN PERMISSION OF KARAVAN TRAILERS,  
 INC. IS PROHIBITED.

APPROVED BY:  
*DAD*

DRAWN BY:  
**MATTHEW J. HEINEN**

DATE: 01-19-07

SHEET: 4 OF 6

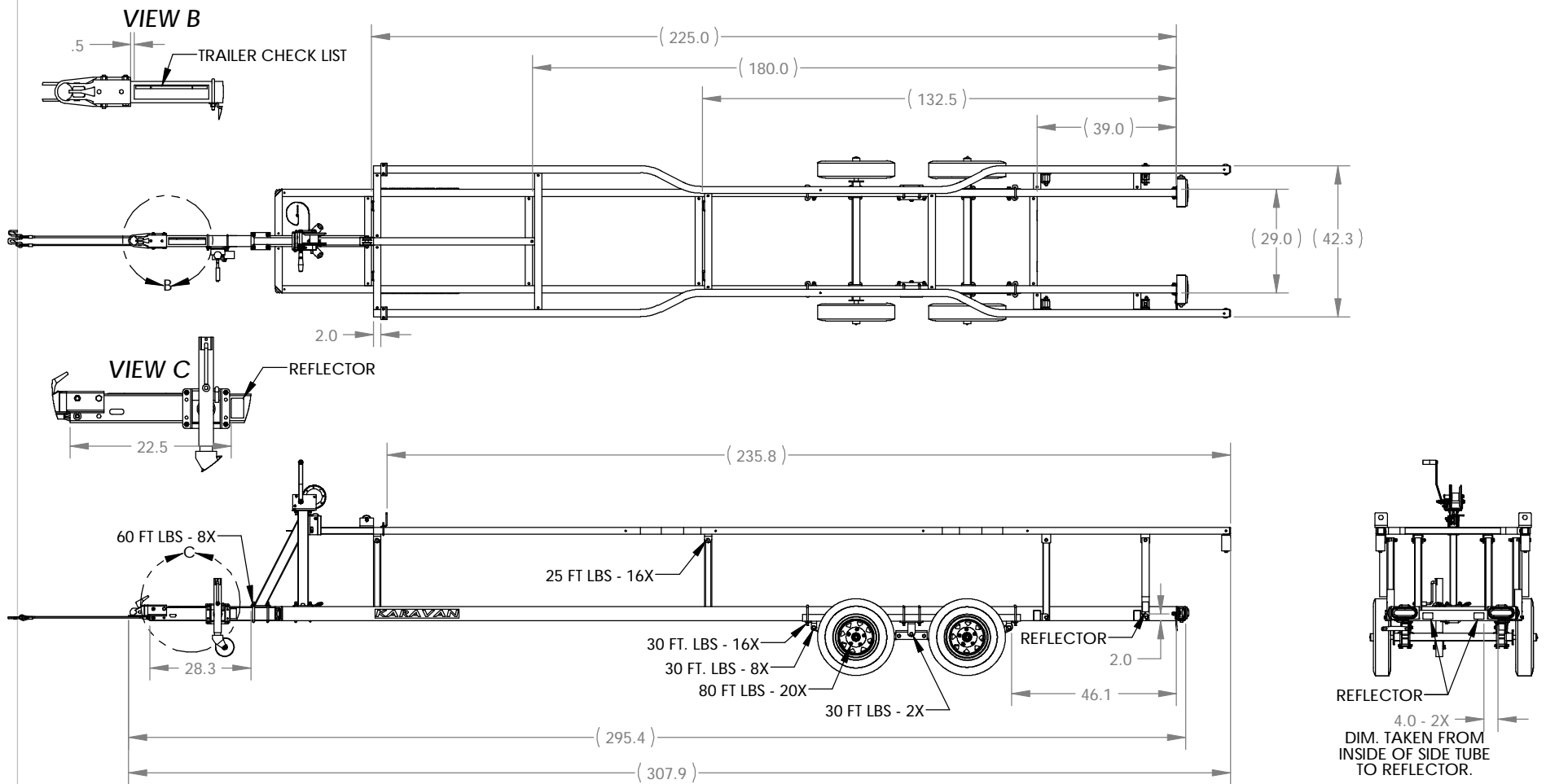
SCALE: N/A

**TITLE:** KPS-220 (SPRING)

**MAT'L:** SEE B.O.M.

**FINISH:** N/A

**DWG. #:** KPS-220-SPRING



ALL DIMENSIONS ARE IN INCHES UNLESS OTHERWISE STATED TOLERANCES EXCEPT AS NOTED DECIMALS:  
 .X ±0.100  
 .XX ±0.060  
 .XXX ±0.030  
 .XXXX ±0.010  
 ANGLES:  
 ±1°  
 ALL FORMED ANGLES EQUAL 90° UNLESS NOTED OTHERWISE  
 ( ) INDICATES REFERENCE

THE INFORMATION IN THIS DRAWING IS THE SOLE PROPERTY OF KARAVAN TRAILERS, INC. ANY REPRODUCTION IN PART OR WHOLE WITHOUT THE WRITTEN PERMISSION OF KARAVAN TRAILERS, INC. IS PROHIBITED.  
 APPROVED BY:  
 DAD  
 DRAWN BY:  
 MATTHEW J. HEINEN  
 DATE: 01-19-07  
 SHEET: 5 OF 6  
 SCALE: N/A

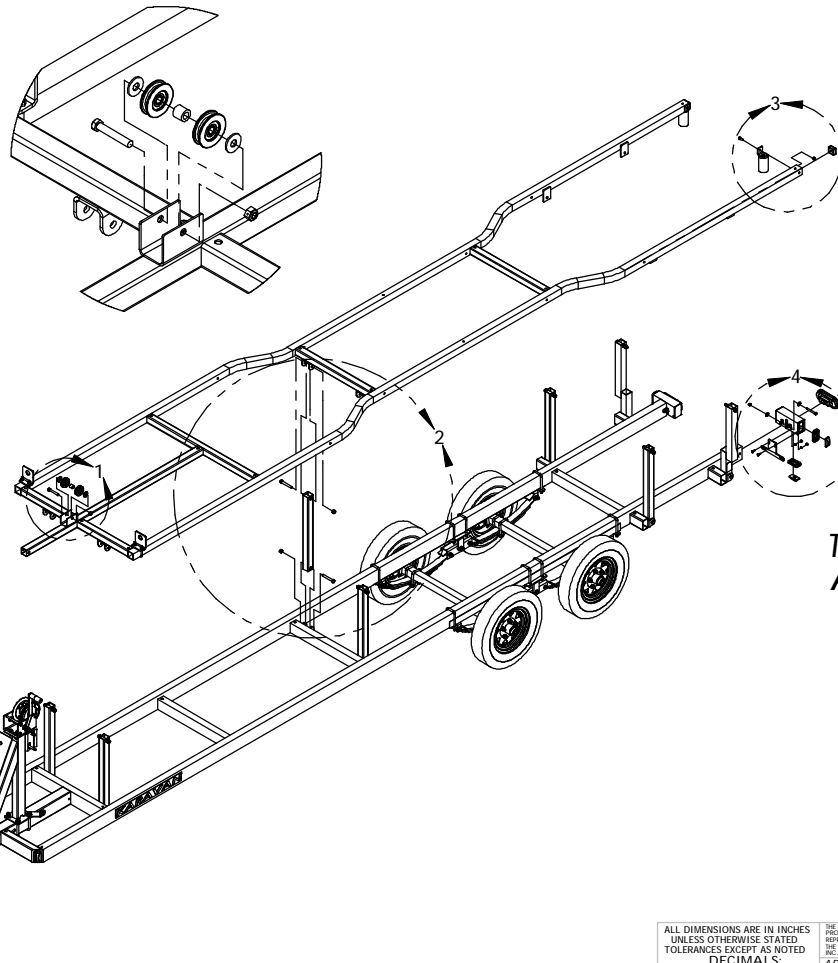
**KARAVAN TRAILERS**

TITLE: KPS-220 (SPRING)  
 MAT'L: SEE B.O.M.  
 FINISH: N/A  
 DWG. #: KPS-220-SPRING

D	15036	KMH	10-13-10	REMOVED 210-00077, 210-00317 & 210-00329
C	13748	MJH	04-10-07	ADDED (8) 210-00025.
DWG. REV.	ECR/NDR NUMBER	REVISED BY	DATE	DESCRIPTION

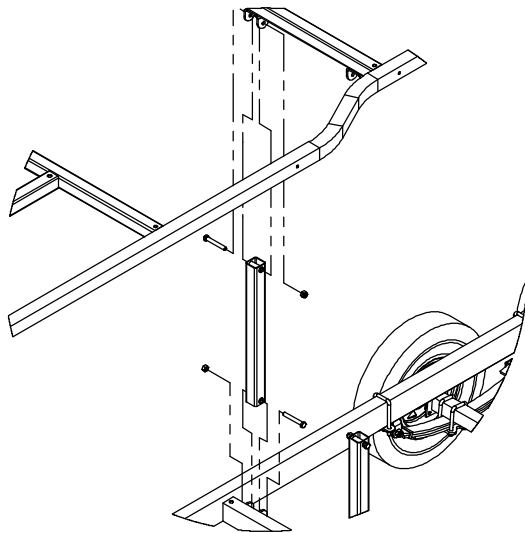
# PULLEY ASSEMBLY INSTRUCTIONS

VIEW 1



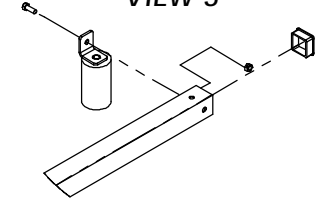
# CARRIAGE PIVOT ASSEMBLY INSTRUCTIONS

VIEW 2



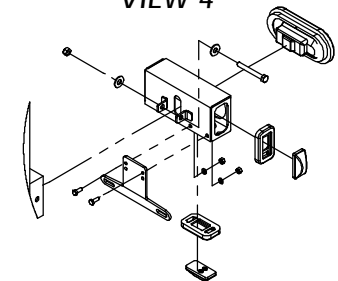
# ROLLER ASSEMBLY INSTRUCTIONS

VIEW 3



# TAIL LIGHT/LICENSE PLATE ASSEMBLY INSTRUCTIONS

VIEW 4



DWG. REV.	ECR/NDR NUMBER	REVISED BY	DATE	DESCRIPTION
D	15036	KMH	10-13-10	REMOVED 210-00077, 210-00317 & 210-00329
C	13748	MJH	04-10-07	ADDED (8) 210-00025.

ALL DIMENSIONS ARE IN INCHES UNLESS OTHERWISE STATED TOLERANCES EXCEPT AS NOTED DECIMALS:

.X ±0.100  
 .XX ±0.060  
 .XXX ±0.030  
 .XXXX ±0.010

ANGLES:  
 ±1°

ALL FORMED ANGLES EQUAL 90° UNLESS NOTED OTHERWISE

( ) INDICATES REFERENCE

THE INFORMATION IN THIS DRAWING IS THE SOLE PROPERTY OF KARAVAN TRAILERS, INC. ANY REPRODUCTION IN PART OR WHOLE WITHOUT THE WRITTEN PERMISSION OF KARAVAN TRAILERS, INC. IS PROHIBITED.

APPROVED BY:  
**DAD**

DRAWN BY:  
**MATTHEW J. HEINEN**

DATE: 01-19-07

SHEET: 6 OF 6

SCALE: N/A

<b>KARAVAN TRAILERS</b>	
TITLE:	KPS-220 (SPRING)
MAT'L:	SEE B.O.M.
FINISH:	N/A
DWG. #:	<b>KPS-220-SPRING</b>