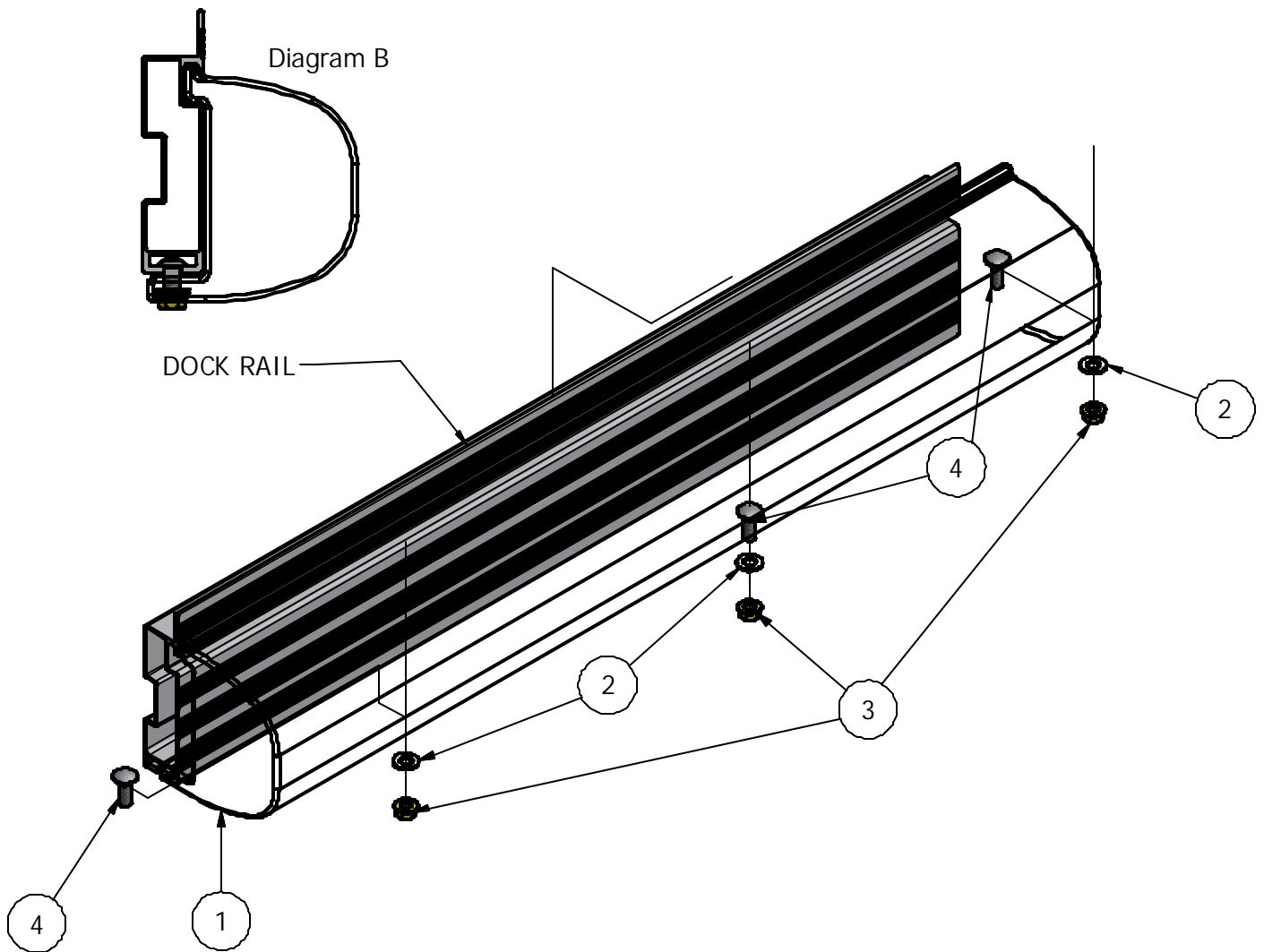
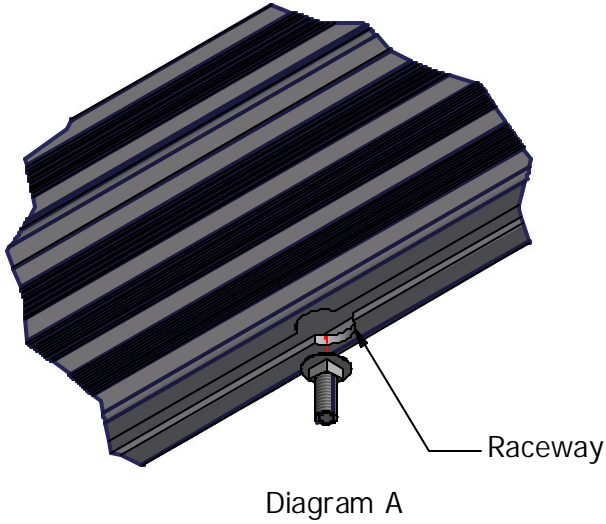
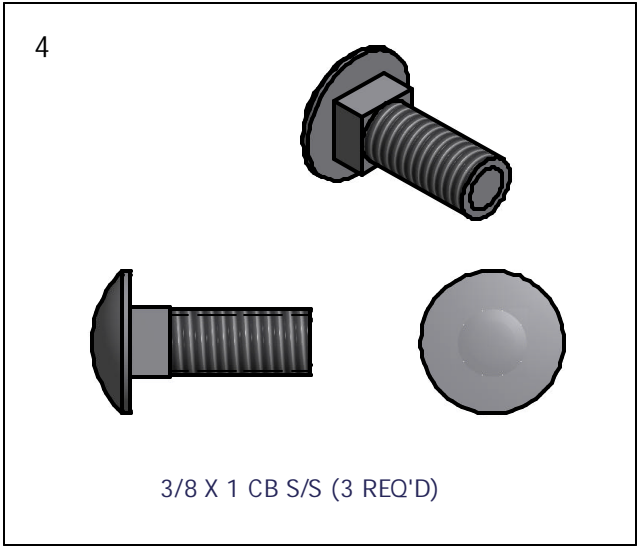
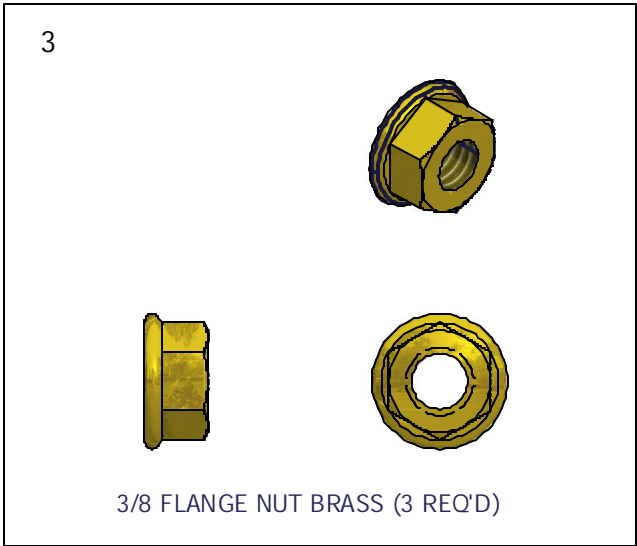
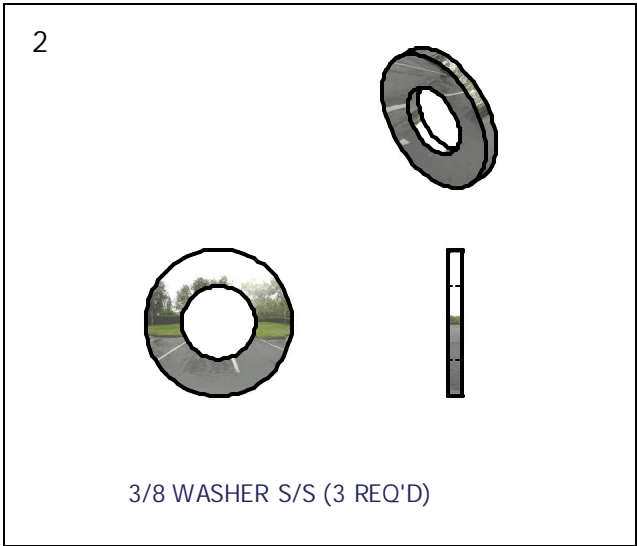




Horizontal Bumper



PARTS LIST			
ITEM	QTY	PART NUMBER	DESCRIPTION
1	1	VM-075/VM-093	HORIZONTAL BUMPER
2	3	HD-00108	3/8 X .875 SS FLAT WASHER
3	3	HD-00056	3/8 BRASS FLANGE NUT
4	3	HD-00059	3/8 X 1 SS CAR



To insure you safety while assembling your Voyager product:

- Fully read and understand the assembly instructions
- Do not assemble this product if items are missing or damaged
- Wear protective gloves, clothing and eye wear when assembling this product
- Check tightness of all hardware each year to avoid injury

Installation procedure

The following tool will be needed: 9/16" wrench

1. Insert head of carriage bolts into raceway on the underside of the rail and slide to desired location on dock. **Per diagram A.**
2. Slide bumper into dock rail per diagram, put carriage bolts into bumper and attach washers and flange nuts. **Per diagram B.**
3. Take 9/16 wrench and tighten flange nut.