

DWG. REV.	ECR/NDR NUMBER	REVISED BY	DATE	DESCRIPTION
K	15543	KMH	07-09-12	310-01903 REPLACED 310-02255
J	15342	MJH	2-14-12	210-00340 AND 210-00384 REPLACED 210-00268, (1)210-00061 REPLACED (1)210-00047; UPDATED DIMS ON PAGES 5 AND 6.

ALL DIMENSIONS ARE IN INCHES
UNLESS OTHERWISE STATED
TOLERANCES EXCEPT AS NOTED

DECIMALS:

.X ±0.100
.XX ±0.060
.XXX ±0.030
.XXXX ±0.010

ANGLES:
±1°

ALL FORMED ANGLES
EQUAL 90° UNLESS
NOTED OTHERWISE

() INDICATES REFERENCE

THE INFORMATION IN THIS DRAWING IS THE SOLE
PROPERTY OF KARAVAN TRAILERS, INC. ANY
REPRODUCTION IN PART OR WHOLE WITHOUT
THE WRITTEN PERMISSION OF KARAVAN TRAILERS,
INC. IS PROHIBITED.

APPROVED BY:

DRAWN BY:
CONNIE SKAIFE

DATE: 06-11-07

SHEET: 1 OF 7

SCALE: N/A

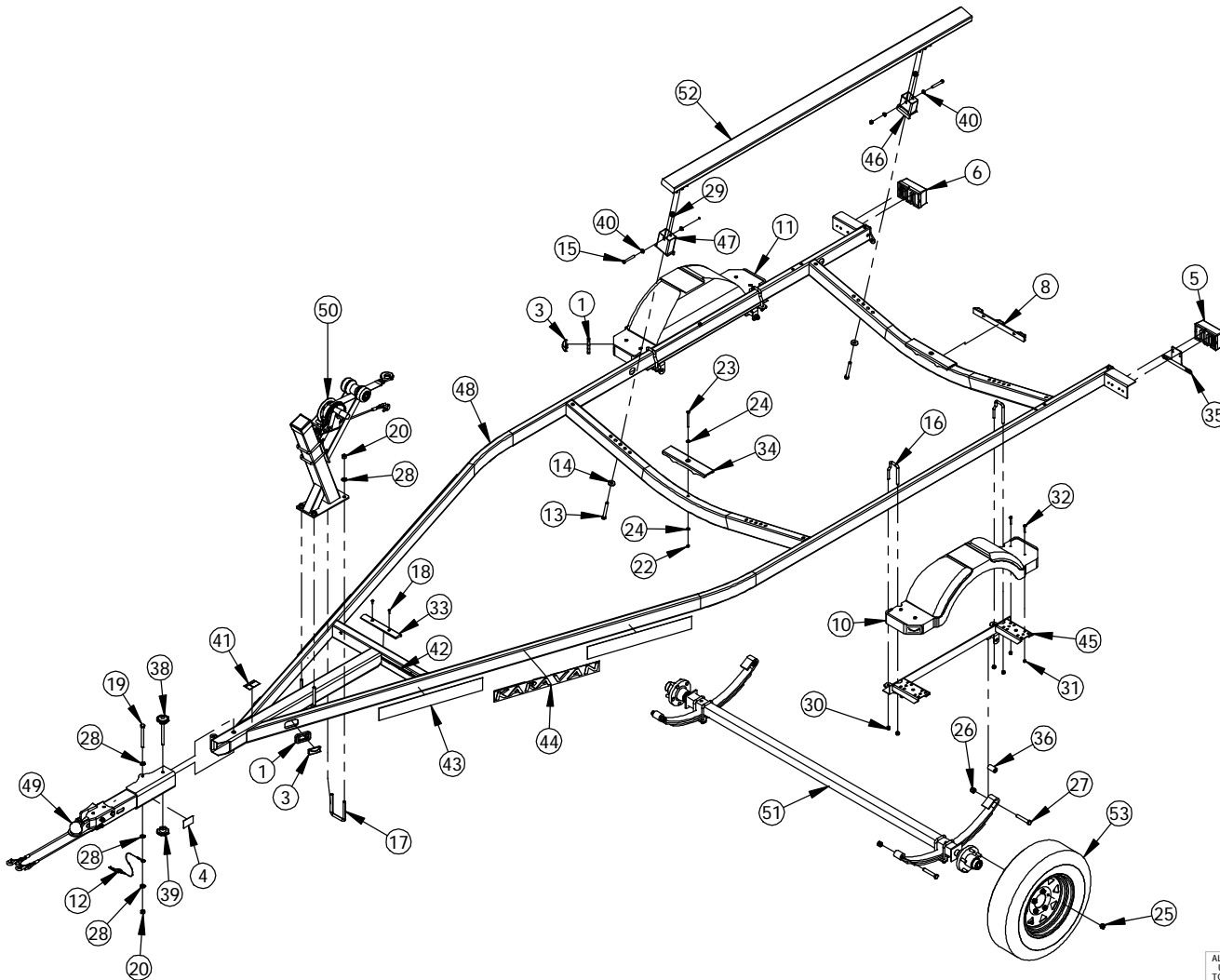
KARAVAN
TRAILERS

TITLE: KCB-1800/2200-70

MAT'L: SEE B.O.M.

FINISH: N/A

DWG. #: KCB-1800-2200-70



ITEM NO.	SEE NOTES	PART NUMBER	DESCRIPTION	QTY.
1		205-00046	SNAP-LOC GROMMET	4
2	2	205-00113	PIGTAIL W/ PLUGS	2
3	2	205-00126	SNAP-LOC LIGHT	4
4		205-00142	AMBER REFLECTOR TAPE	2
5	2	205-00161	TAIL LIGHT LH (LED)	1
6	2	205-00162	TAIL LIGHT RH (LED)	1
7	2	205-00168	WIRE HARNESS	1
8	2	205-00176	I.D. BAR LIGHT SUBM.	1
9	2	205-00210	PIGTAIL	2
10		206-00085	FENDER (LH)	1
11		206-00086	FENDER (RH)	1
12		207-00020	PIN & LANYARD	1
13		210-00014	50"-13 X 4.00" HX HD BOLT	4
14		210-00017	50" FLAT WASHER	4
15		210-00023	.375"-16 X 2.75" HX HD BOLT	4
16		210-00024	.438" X 4.25" FLARED U-BOLT	4
17		210-00029	50"-13 X 3.063" X 4.50" U-BOLT	2
18		210-00057	#10 X .625" HX WSHR HD SCREW	2
19		210-00060	50"-13 X 5.00" HX HD BOLT	1
20		210-00061	50"-13 CENTERLOCK HEX NUT	5
21		210-00076	.375"-16 CENTERLOCK HEX NUT	4
22		210-00085	.25"-20 CENTER LOCK NUT	2
23		210-00123	.25"-20 X 3.50" TAP BOLT	2
24		210-00136	25" FLAT WASHER	4
25		210-00137	50"-20 X .813" LUG NUT	10
26		210-00157	563"-12 NYLOCK HEX NUT	4
27		210-00211	563"-12 X 3.25" HX HD BOLT	4
28		210-00240	50" SAE FLAT WASHER ZINC	7
29		210-00265	50"-13 CTR LOCK FLANGE NUT	4
30		210-00330	.438"-14 CENTERLOCK HEX NUT	8
31		210-00340	.250"-20 NYLOCK HEX NUT	8
32		210-00384	SCREW 6 LOBE TRUSS HD 1/4"-20 X 1-1/2"	8
33		216-00019	KEEL PROTECTOR	1
34		216-00034	KEEL PROTECTOR	2
35		229-00006	LICENSE PLATE BRACKET	1
36		229-00095	BUSHING	2
37	2	229-00245	.375" LOOM	1
38		229-00287	HAND BOLT	1
39		229-00289	HAND NUT	1
40		229-00329	NYLON WASHER	8
41		234-00023	PINCH POINT LOGO	1
42		234-00032	TRAILERING CHECKLIST	1
43		234-00058	LOGO	4
44		234-00060	LOGO	2
45		300-01130	SPRING HANGER WELDMENT	2
46	3	300-01546	BUNK TUBE WELD (3" TALL)	2
47	3	300-01547	BUNK TUBE WELD (4" TALL)	2
48		300-01777	FRAME WELDMENT	1
49	3	310-01825	TONGUE SUB-ASSY	1
50	3	310-01903	WINCH ASSY	1
51		310-02196	AXLE ASSEMBLY W/ SPRINGS	1
52	3	310-02254	BUNK ASSY	2
53	1		TIRE	2
			SEE OPTIONS	

NOTES:

- 1.) SEE OPTIONS ON PAGE THREE
- 2.) SEE ADDITIONAL INSTRUCTIONS ON PAGE FOUR.
- 3.) SEE ADDITIONAL INSTRUCTIONS ON PAGE SEVEN.

K	15543	KMH	07-09-12	310-01903 REPLACED 310-02255
J	15342	MJH	2-14-12	210-00340 AND 210-00384 REPLACED 210-00268, (1)210-00061 REPLACED (1)210-00047. UPDATED DIMS ON PAGES 5 AND 6.
DWG. REV.	ECR/NDR NUMBER	REVISED BY	DATE	DESCRIPTION

ALL DIMENSIONS ARE IN INCHES UNLESS OTHERWISE STATED TOLERANCES EXCEPT AS NOTED
 DECIMALS:
 .X ±0.100
 .XX ±0.060
 .XXX ±0.030
 .XXXX ±0.010
 ANGLES:
 ±1°
 ALL FORMED ANGLES EQUAL 90° UNLESS NOTED OTHERWISE
 () INDICATES REFERENCE

THE INFORMATION IN THIS DRAWING IS THE SOLE PROPERTY OF KARAVAN TRAILERS, INC. ANY REPRODUCTION IN PART OR WHOLE WITHOUT THE WRITTEN PERMISSION OF KARAVAN TRAILERS.
 APPROVED BY: ---
 DRAWN BY: CONNIE SKAIFE
 DATE: 06-11-07
 SHEET: 2 OF 7
 SCALE: N/A

KARAVAN
TRAILERS

TITLE: KCB-1800/2200-70
 MAT'L: SEE B.O.M.
 FINISH: N/A
 DWG. #: KCB-1800-2200-70

OPTIONS			
KCB-1800-70 ST175/80D13B	PARTS	KCB-2200-70 ST175/80D13C	KCB-2200-70 ST175/80R13C
220-00062	TIRES	220-00025	220-00035

DWG. REV.	ECR/NDR NUMBER	REVISED BY	DATE	DESCRIPTION
K	15543	KMH	07-09-12	310-01903 REPLACED 310-02255
J	15342	MJH	2-14-12	210-00340 AND 210-00384 REPLACED 210-00268, (1)210-00061 REPLACED (1)210-00047; UPDATED DIMS ON PAGES 5 AND 6.

ALL DIMENSIONS ARE IN INCHES
UNLESS OTHERWISE STATED
TOLERANCES EXCEPT AS NOTED

DECIMALS:
.X ±0.100
.XX ±0.060
.XXX ±0.030
.XXXX ±0.010

ANGLES:
±1°

ALL FORMED ANGLES
EQUAL 90° UNLESS
NOTED OTHERWISE

() INDICATES REFERENCE

THE INFORMATION IN THIS DRAWING IS THE SOLE
PROPERTY OF KARAVAN TRAILERS, INC. ANY
REPRODUCTION IN PART OR WHOLE WITHOUT
THE WRITTEN PERMISSION OF KARAVAN TRAILERS,
INC. IS PROHIBITED.

APPROVED BY:

DRAWN BY:
CONNIE SKAIFE

DATE: 06-11-07

SHEET: 3 OF 7

SCALE: N/A

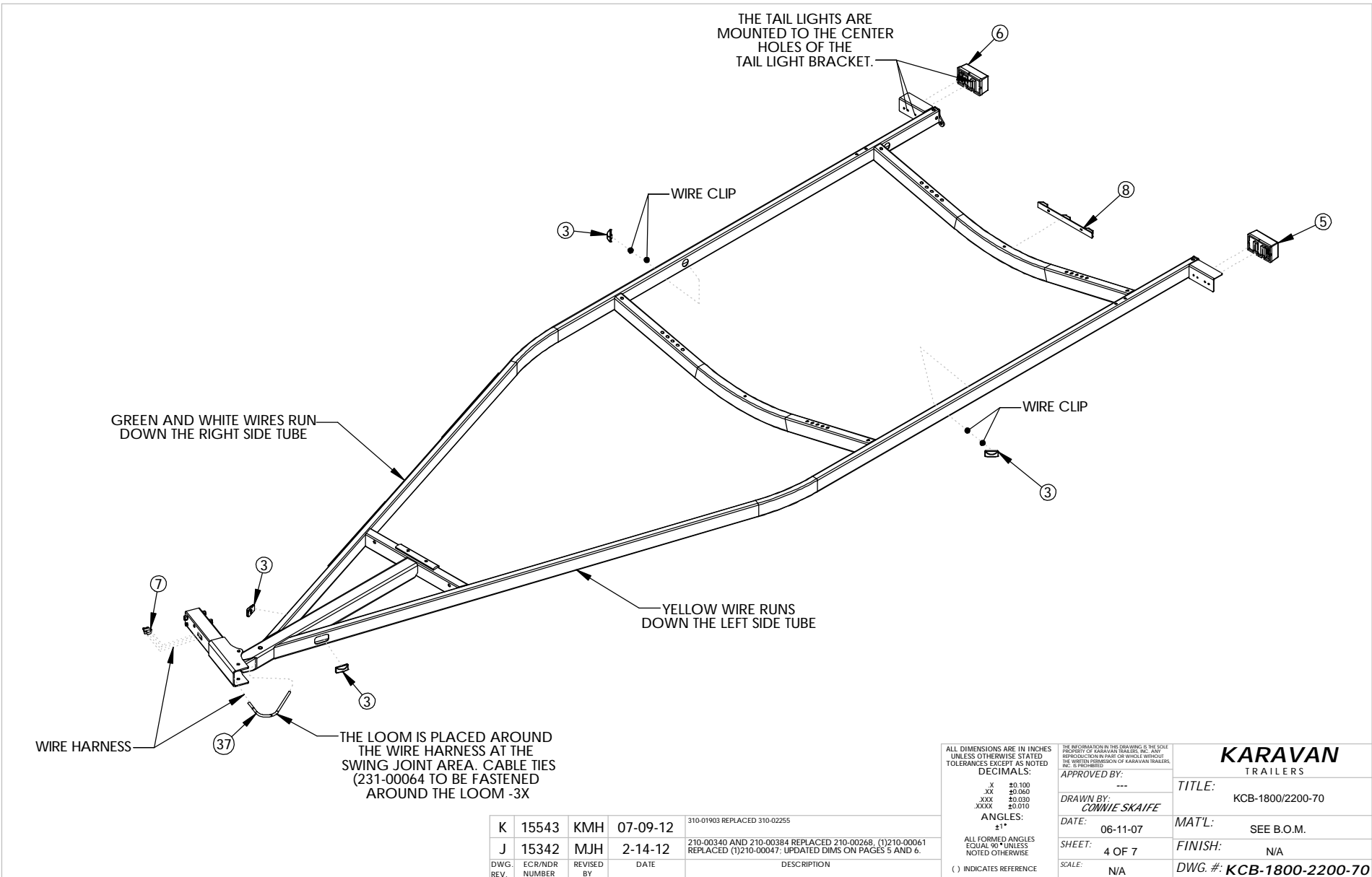
KARAVAN
TRAILERS

TITLE: KCB-1800/2200-70

MAT'L: SEE B.O.M.

FINISH: N/A

DWG. #: **KCB-1800-2200-70**



DWG. REV.	ECR/NDR NUMBER	REVISED BY	DATE	DESCRIPTION
K	15543	KMH	07-09-12	310-01903 REPLACED 310-02255
J	15342	MJH	2-14-12	210-00340 AND 210-00384 REPLACED 210-00268, (1)210-00061 REPLACED (1)210-00047. UPDATED DIMS ON PAGES 5 AND 6.

ALL DIMENSIONS ARE IN INCHES UNLESS OTHERWISE STATED TOLERANCES EXCEPT AS NOTED

DECIMALS:
 .X ±0.100
 .XX ±0.060
 .XXX ±0.030
 .XXXX ±0.010

ANGLES:
 ±1°

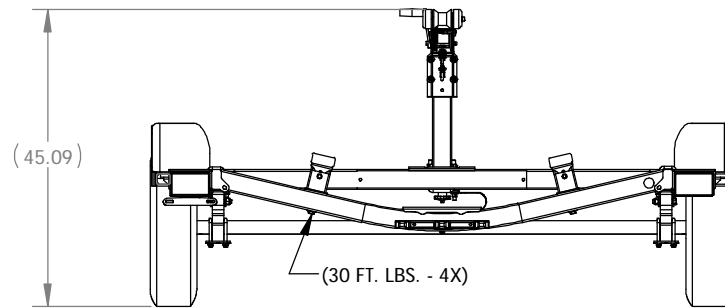
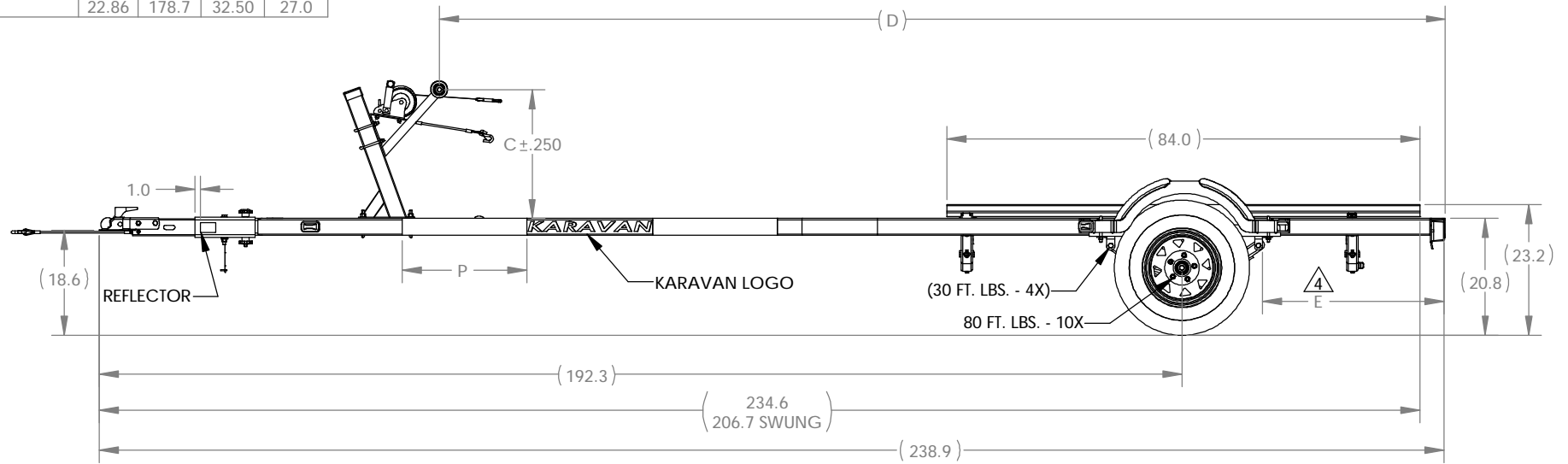
ALL FORMED ANGLES EQUAL 90° UNLESS NOTED OTHERWISE

() INDICATES REFERENCE

APPROVED BY: ---
 DRAWN BY: CONNIE SKAIFE
 DATE: 06-11-07
 SHEET: 4 OF 7
 SCALE: N/A

KARAVAN TRAILERS	
TITLE:	KCB-1800/2200-70
MAT'L:	SEE B.O.M.
FINISH:	N/A
DWG. #:	KCB-1800-2200-70

MODEL #	DIMENSIONS			
	"C"	"D"	"E"	"P"
	UP	REF	AXLE	LOGO
	22.86	178.7	32.50	27.0



NOTE:

△ DIMENSION IS FROM THE BACK OF THE SPRING HANGER TO THE END OF THE SIDE TUBE.

5.) TORQUE CALLOUTS IN PARENTHESIS ARE FOR REFERENCE. TIGHTEN FASTENERS UNTIL PINCHED TIGHT (DO NOT OVER TIGHTEN BUNK PIVOT POINTS). MINOR DEFLECTION OF MATERIAL IS ACCEPTABLE.

DWG. REV.	ECR/NDR NUMBER	REVISED BY	DATE	DESCRIPTION
K	15543	KMH	07-09-12	310-01903 REPLACED 310-02255
J	15342	MJH	2-14-12	210-00340 AND 210-00384 REPLACED 210-00268, (1)210-00061 REPLACED (1)210-00047; UPDATED DIMS ON PAGES 5 AND 6.

ALL DIMENSIONS ARE IN INCHES UNLESS OTHERWISE STATED TOLERANCES EXCEPT AS NOTED

DECIMALS:

.X ±0.100
 .XX ±0.060
 .XXX ±0.030
 .XXXX ±0.010

ANGLES:
 ±1°

ALL FORMED ANGLES EQUAL 90° UNLESS NOTED OTHERWISE

() INDICATES REFERENCE

THE INFORMATION IN THIS DRAWING IS THE SOLE PROPERTY OF KARAVAN TRAILERS, INC. ANY REPRODUCTION IN PART OR WHOLE WITHOUT THE WRITTEN PERMISSION OF KARAVAN TRAILERS, INC. IS PROHIBITED.

APPROVED BY:

DRAWN BY:

CONNIE SKAIFE

DATE:

06-11-07

SHEET:

5 OF 7

SCALE:

N/A

KARAVAN
TRAILERS

TITLE:

KCB-1800/2200-70

MAT'L:

SEE B.O.M.

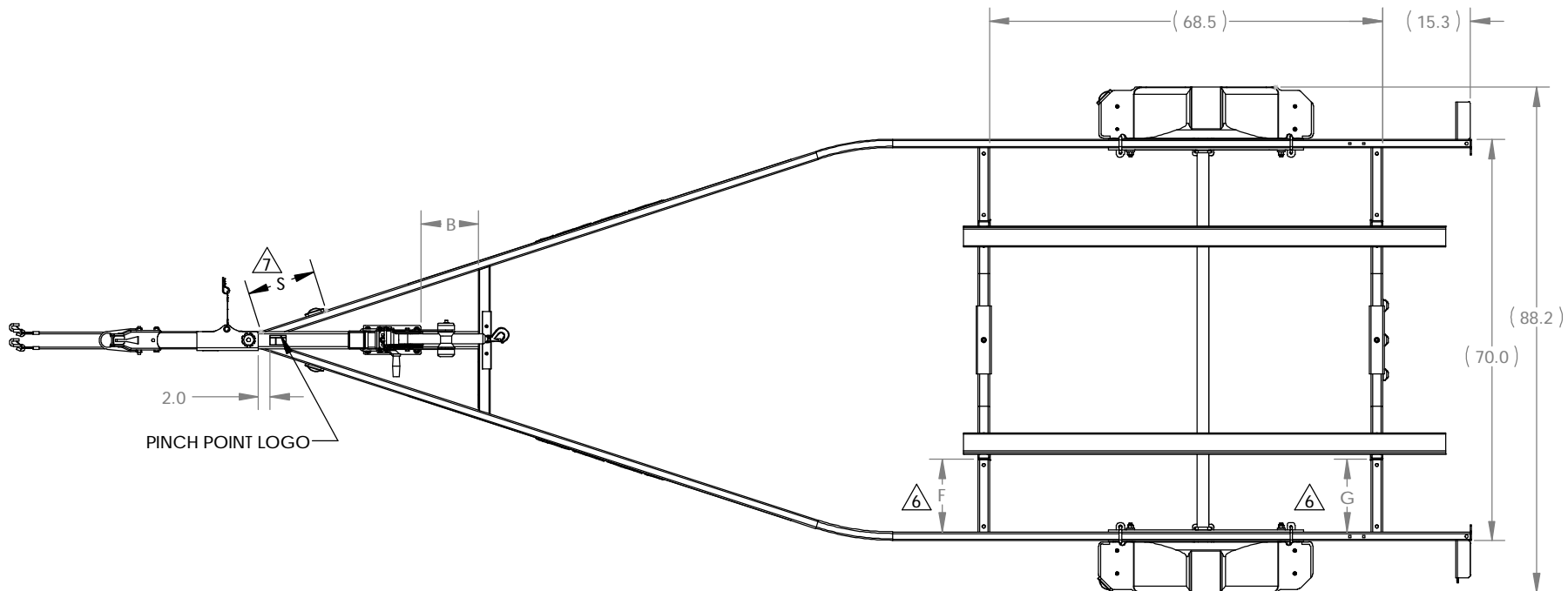
FINISH:

N/A

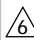

DWG. #:

KCB-1800-2200-70

MODEL #	DIMENSIONS				
	"B"	"F"	"G"	"H"	"S"
	POST	FRONT	REAR	BACK	STAMP
	10.0	13.0	13.0	10.9	12.0



NOTES:

-  BUNK LOCATION IS THE DISTANCE FROM THE INSIDE OF THE SIDE TUBE TO THE OUTSIDE EDGE OF THE BUNK TUBE WELDMENT.
-  DIMENSION INDICATES THE SET LOCATION OF THE RIGHT EDGE OF THE PIN STAMPER.

DWG. REV.	ECR/NDR NUMBER	REVISED BY	DATE	DESCRIPTION
K	15543	KMH	07-09-12	310-01903 REPLACED 310-02255
J	15342	MJH	2-14-12	210-00340 AND 210-00384 REPLACED 210-00268, (1)210-00061 REPLACED (1)210-00047; UPDATED DIMS ON PAGES 5 AND 6.

ALL DIMENSIONS ARE IN INCHES UNLESS OTHERWISE STATED TOLERANCES EXCEPT AS NOTED

DECIMALS:
 .X ±0.100
 .XX ±0.060
 .XXX ±0.030
 .XXXX ±0.010

ANGLES:
 ±1°

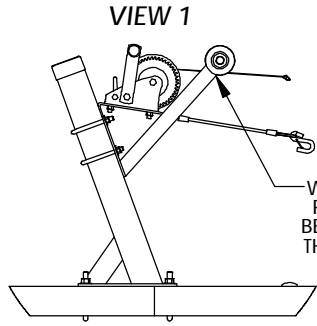
ALL FORMED ANGLES EQUAL 90° UNLESS NOTED OTHERWISE

() INDICATES REFERENCE

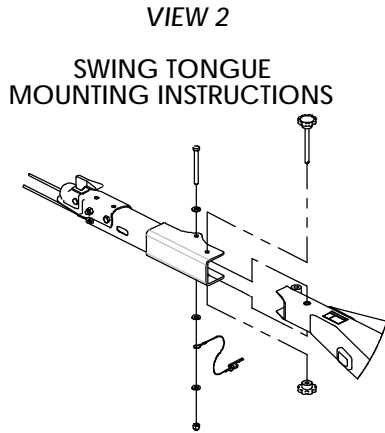
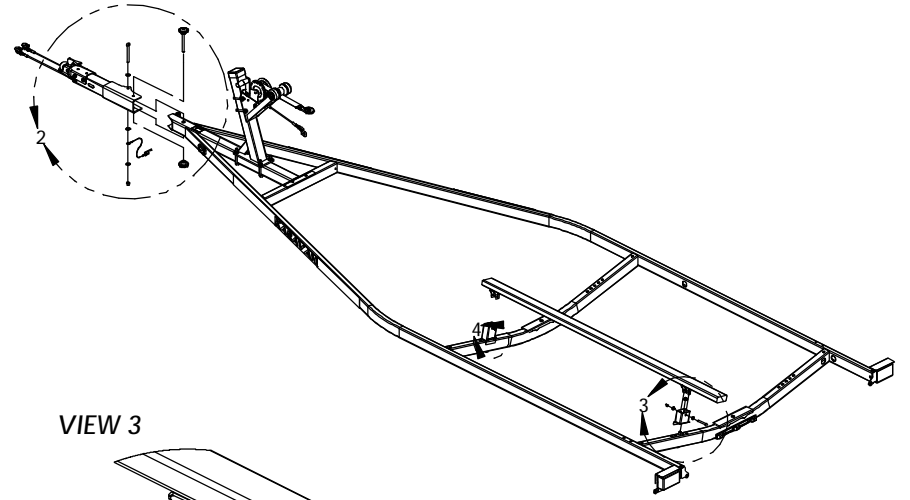
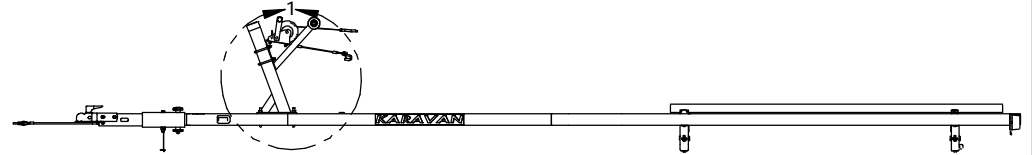
THE INFORMATION IN THIS DRAWING IS THE SOLE PROPERTY OF KARAVAN TRAILERS, INC. ANY REPRODUCTION IN PART OR WHOLE WITHOUT THE WRITTEN PERMISSION OF KARAVAN TRAILERS, INC. IS PROHIBITED.

APPROVED BY: ---
 DRAWN BY: CONNIE SKAIFE
 DATE: 06-11-07
 SHEET: 6 OF 7
 SCALE: N/A

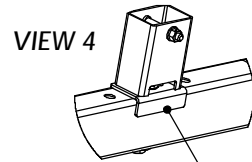
KARAVAN TRAILERS	
TITLE:	KCB-1800/2200-70
MAT'L:	SEE B.O.M.
FINISH:	N/A
DWG. #:	KCB-1800-2200-70



WINCH STRAP WITH HOOK
RUNS UNDER THE ROLLER
BEFORE BEING HOOKED TO
THE BOW EYE OF THE BOAT



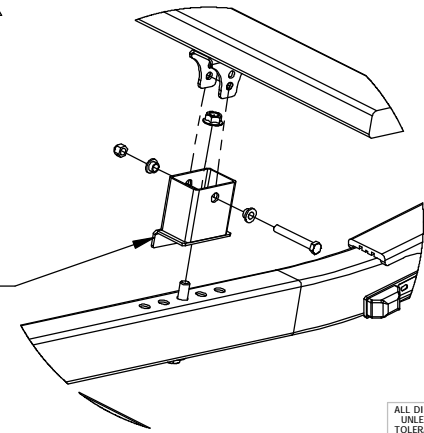
VIEW 2
SWING TONGUE
MOUNTING INSTRUCTIONS



VIEW 4
THE LIP OF THE
BUNK TUBE WELDMENT
ON FRONT CROSS
MEMBERS FACES THE
REAR OF THE TRAILER

BUNK MOUNTING
INSTRUCTIONS

THE LIP OF THE
BUNK TUBE WELDMENT
ON REAR CROSS
MEMBERS FACES THE
FRONT OF THE TRAILER



VIEW 3

ALL DIMENSIONS ARE IN INCHES
UNLESS OTHERWISE STATED
TOLERANCES EXCEPT AS NOTED
DECIMALS:
.X ±0.100
.XX ±0.060
.XXX ±0.030
.XXXX ±0.010
ANGLES:
±1°
ALL FORMED ANGLES
EQUAL 90° UNLESS
NOTED OTHERWISE
() INDICATES REFERENCE

THE INFORMATION IN THIS DRAWING IS THE SOLE
PROPERTY OF KARAVAN TRAILERS, INC. ANY
REPRODUCTION IN PART OR WHOLE WITHOUT
THE WRITTEN PERMISSION OF KARAVAN TRAILERS,
INC. IS PROHIBITED.
APPROVED BY:

DRAWN BY:
CONNIE SKAIFE
DATE: 06-11-07
SHEET: 7 OF 7
SCALE: N/A

KARAVAN
TRAILERS

TITLE: KCB-1800/2200-70

MAT'L: SEE B.O.M.

FINISH: N/A

DWG. #: KCB-1800-2200-70

DWG. REV.	ECR/NDR NUMBER	REVISED BY	DATE	DESCRIPTION
K	15543	KMH	07-09-12	310-01903 REPLACED 310-02255
J	15342	MJH	2-14-12	210-00340 AND 210-00384 REPLACED 210-00268, (1)210-00061 REPLACED (1)210-00047. UPDATED DIMS ON PAGES 5 AND 6.