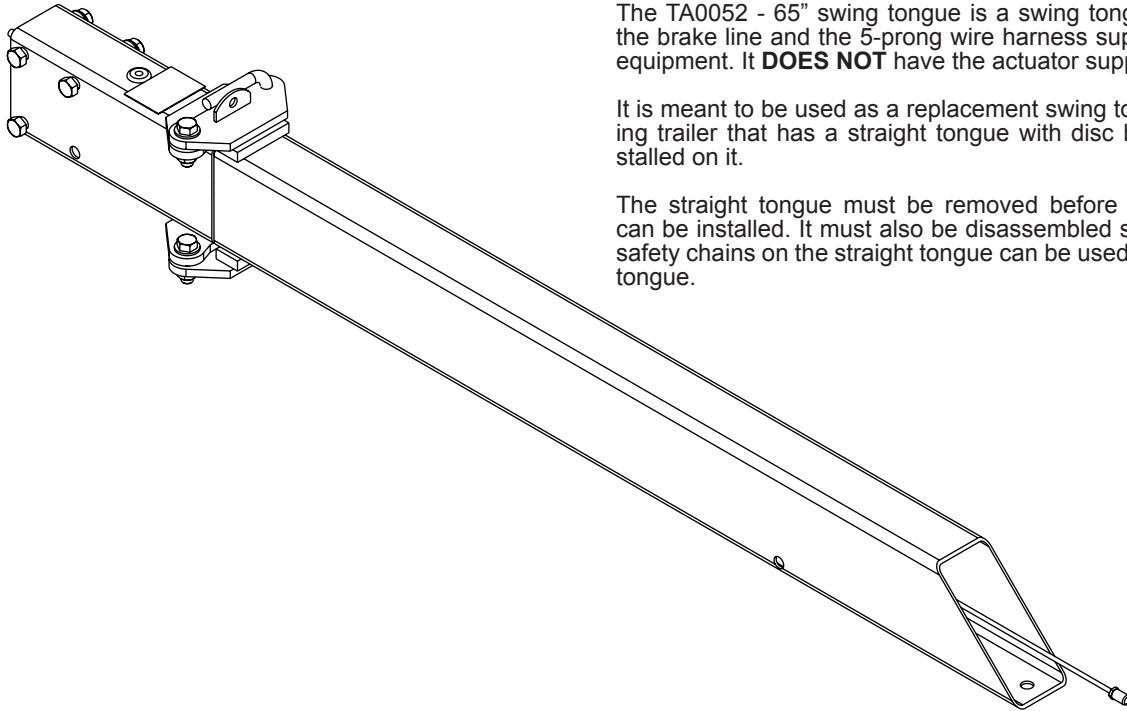


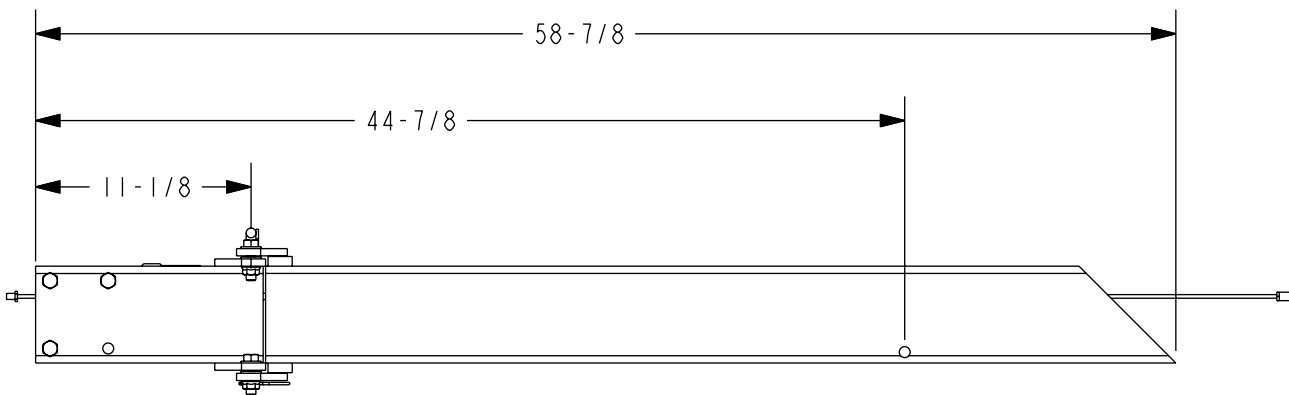
TA0052 Swing Tongue Assembly 65" No Actuator 3X5 Tongue



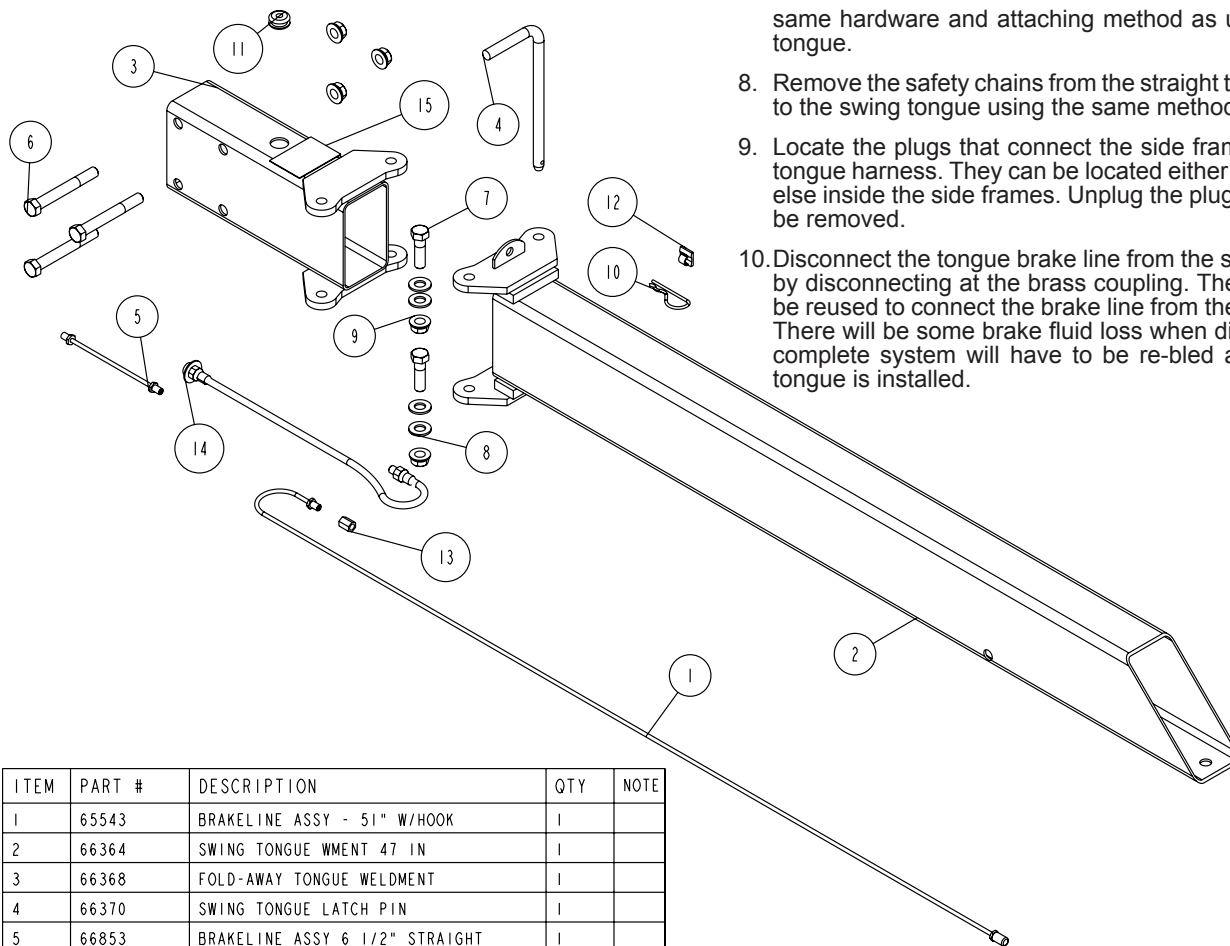
The TA0052 - 65" swing tongue is a swing tongue complete with the brake line and the 5-prong wire harness supplied as standard equipment. It **DOES NOT** have the actuator supplied with it.

It is meant to be used as a replacement swing tongue for an existing trailer that has a straight tongue with disc brakes already installed on it.

The straight tongue must be removed before the swing tongue can be installed. It must also be disassembled so the coupler and safety chains on the straight tongue can be used on the new swing tongue.



SCALE 0.100



same hardware and attaching method as used on the straight tongue.

8. Remove the safety chains from the straight tongue and re-attach to the swing tongue using the same method of attachment.
9. Locate the plugs that connect the side frame harnesses to the tongue harness. They can be located either inside the tongue or else inside the side frames. Unplug the plugs so the tongue can be removed.
10. Disconnect the tongue brake line from the side frame brake line by disconnecting at the brass coupling. The brass coupling will be reused to connect the brake line from the new swing tongue. There will be some brake fluid loss when disconnecting but the complete system will have to be re-bled after the new swing tongue is installed.

11. Loosen the 1/2" x 1 1/2" bolt securing the rear of the tongue to the frame. Remove the bolt completely. Loosen and remove the 1/2" x 4" hex bolt securing the tongue to the front of the frame tongue channel. Note that the two mounting bolts just removed with be used to mount the new swing tongue into the frame tongue channel.

12. Slide the complete tongue assembly out the front of the tongue channel.

INSTALLING THE NEW SWING TONGUE

1. Insert the swing tongue into the front of the frame tongue channel until the front cross-hole lines with the drilled hole in the tongue. Attach the swing tongue with the hardware removed that attached the straight tongue. Insert the 1/2" x 4" hex bolt and secure with a 1/2" flange lock nut.
2. Pull the wire harness out the rear of the tongue. Route the harness through the hole in the tongue cover. Secure the tongue cover and the rear of the tongue to the frame tongue channel using a 1/2" x 1 1/2" hex bolt and flange lock nut. Tighten both bolts installed in steps 1 and 2.
3. Match the tongue wire harness plugs with the wires of the frame harness, (yellow to yellow and green to green) then plug together. Wiring is complete. Check to make sure all lighting functions are operating correctly and match the tow vehicle. Make sure all wire protecting grommets are installed to eliminate abrasion.
4. Route the brake line tubing from the swing tongue over to the line coming out of the trailer side frame. Connect the two together using the brass coupling provided. Tighten.
5. Bleed the brake system using the instructions outlined in the brake owner's manual. Installation is complete.
6. Reattach the winch post the same distance from the front of the frame tongue channel as it was installed on the straight tongue.

ITEM	PART #	DESCRIPTION	QTY	NOTE
1	65543	BRAKELINE ASSY - 51" W/HOOK	1	
2	66364	SWING TONGUE WMENT 47 IN	1	
3	66368	FOLD-AWAY TONGUE WELDMENT	1	
4	66370	SWING TONGUE LATCH PIN	1	
5	66853	BRAKELINE ASSY 6 1/2" STRAIGHT	1	
6	0110114	HH 1/2-13 X 4 CS GR5	3	
7	0140096	HH 1/2-13 X 1 3/4 CS GR5	2	
8	1340100	WASHER USS FLAT 1/2	4	
9	1440102	HEX LOCKNUT FLANGE 1/2-13 W/T&T	5	
10	1540305	HAIRPIN COTTER #9 ZP	1	
11	3510030	GROMMET 7/8IN MOLDED	1	
12	3510169	WIRE CLIP ADHESIVE BACK	1	
13	4510505	COUPLING - NO.302X3 WTHR-HD TUBE	1	
14	4510511	HOSE - 18IN MALE-FEMALE BRAKE	1	
-	4850182	DECAL SWINGTONGUE INSTRUCTION	1	
-	4850183	DECAL SWINGTONGUE PINCH POINT	1	
15	4850412	DECAL WARNING CAPACITY SWING TONGUE	1	
-	5110347	HARNESSTONGUE 5 PRONG FLAT	1	

REMOVE AND DISASSEMBLE AS FOLLOWS:

1. Measure the distance between the winch post base and the frame tongue channel. The winch post will be mounted the same distance from the frame tongue channel once the new swing tongue is installed.
2. Remove the winch post from the straight tongue.
3. Remove the actuator from the straight tongue by removing the attaching hardware. Disconnect the brake line from the rear of the actuator because this brake will no longer be used in the swing tongue.
4. Disconnect the wire from the solenoid on the rear of the actuator where it connects to the wire harness.
5. Locate the new swing tongue brake line shipped with the swing tongue. Attach it to the rear of the actuator using the same port the other brake line was removed from. Tighten.
6. Reconnect the wire from the solenoid to the new wire harness.
7. Re-attach the actuator to the new swing tongue using the