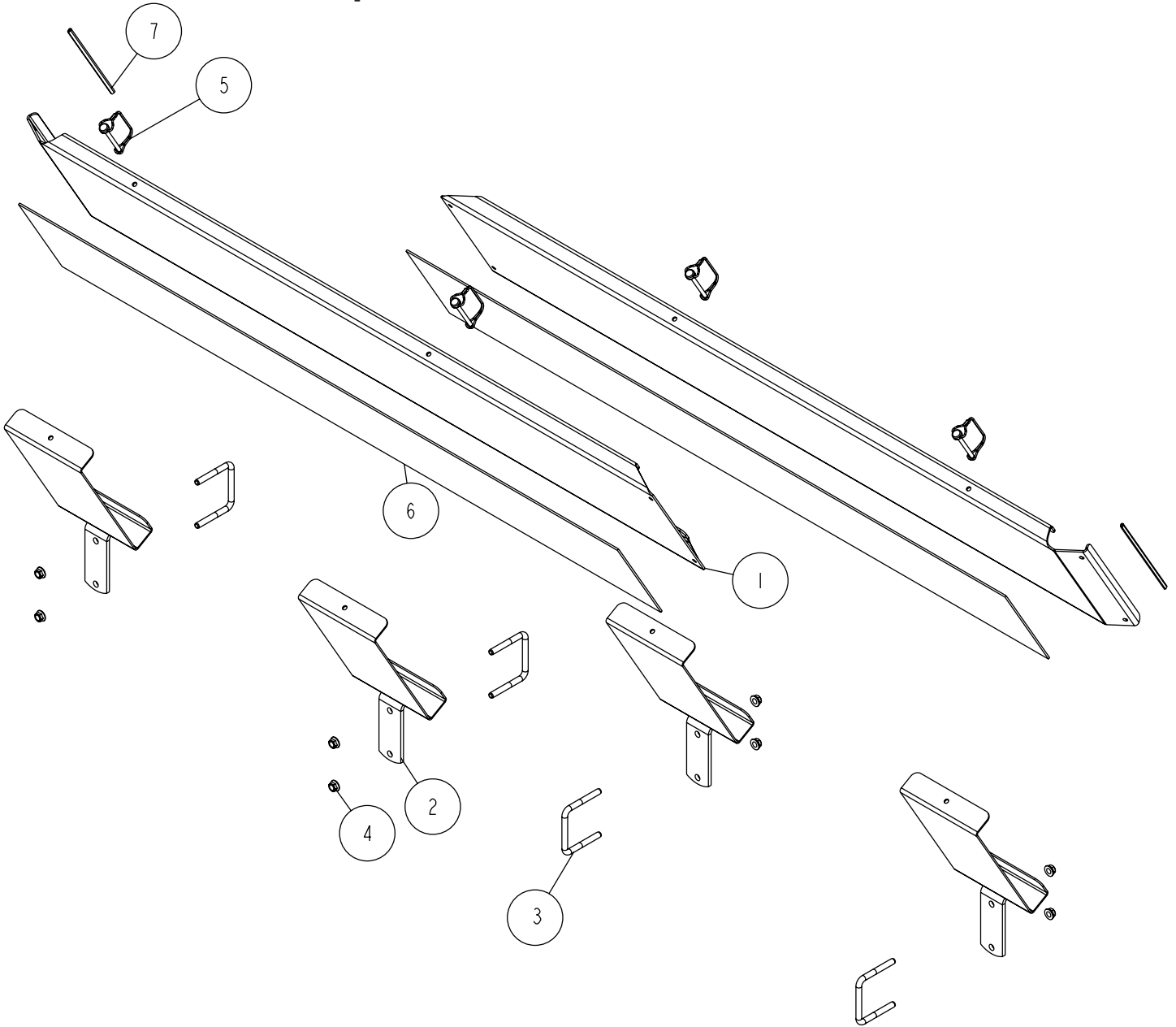


TA0091 Ramp Kit for 2ATV & 3ATV Trailers



ITEM	PART #	DESCRIPTION	QTY	NOTE
1	69135	RAMP ATV	2	
2	69137	RAMP RETAINER CHANNEL WMENT	4	
3	0310108	SUB 3/8-16 X 3 7/16 X 3	4	
4	1440101	HEX LOCKNUT FLANGE 3/8-16 W/T&T	8	
5	3110381	PIN 1/4 X 2.5 GRIP LG W/SQ RET	4	
6	3510084	NON SKID 8" X 60" ROLL FLAT BLK	2	
7	3510350	TRIM LOCK BLACK	2	

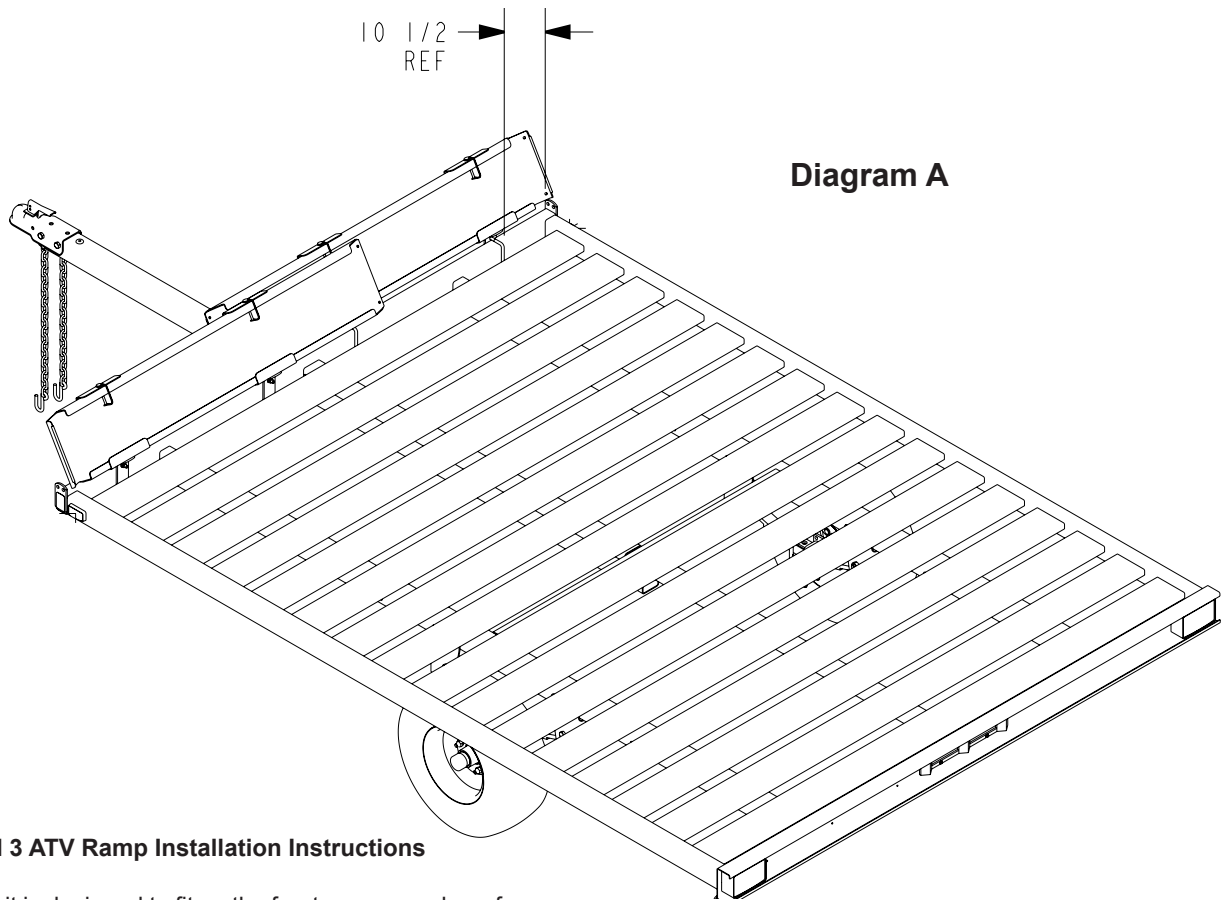


Diagram A

TA0091 2 ATV and 3 ATV Ramp Installation Instructions

The TA0091 ramp kit is designed to fit on the front cross member of the 2 ATV and 3 ATV trailers. It can also be used as a replacement kit on trailers already in service. The kit includes the ramps and all attaching hardware for converting the ramps into a front shield while being stored for transport.

Installing the ramps in the following manner will allow for the removal of the ramp from the drivers side of the trailer first.

Locate the four ramp retainer attachment channels. Note that they are all identical.

The two ramp retainer attachment channels on the right side of the trailer will be installed on the front side of the trailer front frame tube to support the ramp as shown in Detail E.

Place a 3/8" x 3 7/8" x 3" square U-bolt around the front frame tube so the legs of the U-bolt are pointing forward. Align the holes in one of the ramp retainer attachment channels with the U-bolt legs, then slide into position. Note that this channel is mounted on the front side of the frame tube. Secure in place with 3/8" hex flange lock nuts. Position the U-bolt so it is 10 1/2" from the outside of the side frame tube as shown in Diagram A. Tighten in position. Repeat this process on a second channel. Position this ramp retainer attachment channel so that the center hole in the bracket is 27" from the center hole in the ramp retainer attachment channel just installed. Tighten enough only to hold in position until the ramp is installed.

Install the other two ramp retainer attachment channels on the left side of the trailer to the rear of the front frame tube as shown in Detail D. This will allow the ramps to overlap past each other in the middle.

Place a 3/8" x 3 7/8" x 3" square U-bolt around the front frame tube so the legs of the U-bolt are pointing backward. See Detail D. Align

the holes in one of the ramp retainer attachment channels with the U-bolt legs, then slide into position. Note that this channel is on the rear side of the frame tube as shown. Secure in place with 3/8" hex flange lock nuts. Position the U-bolt so it is 10 1/2" from the outside of the side frame tube as described above for the opposite side of the trailer. Tighten in position. Repeat this process on a second channel. Position this ramp retainer attachment channel so that the center hole in the bracket is 27" from the center hole in the ramp retainer attachment channel just installed. Tighten enough only to hold in position until the ramp is installed.

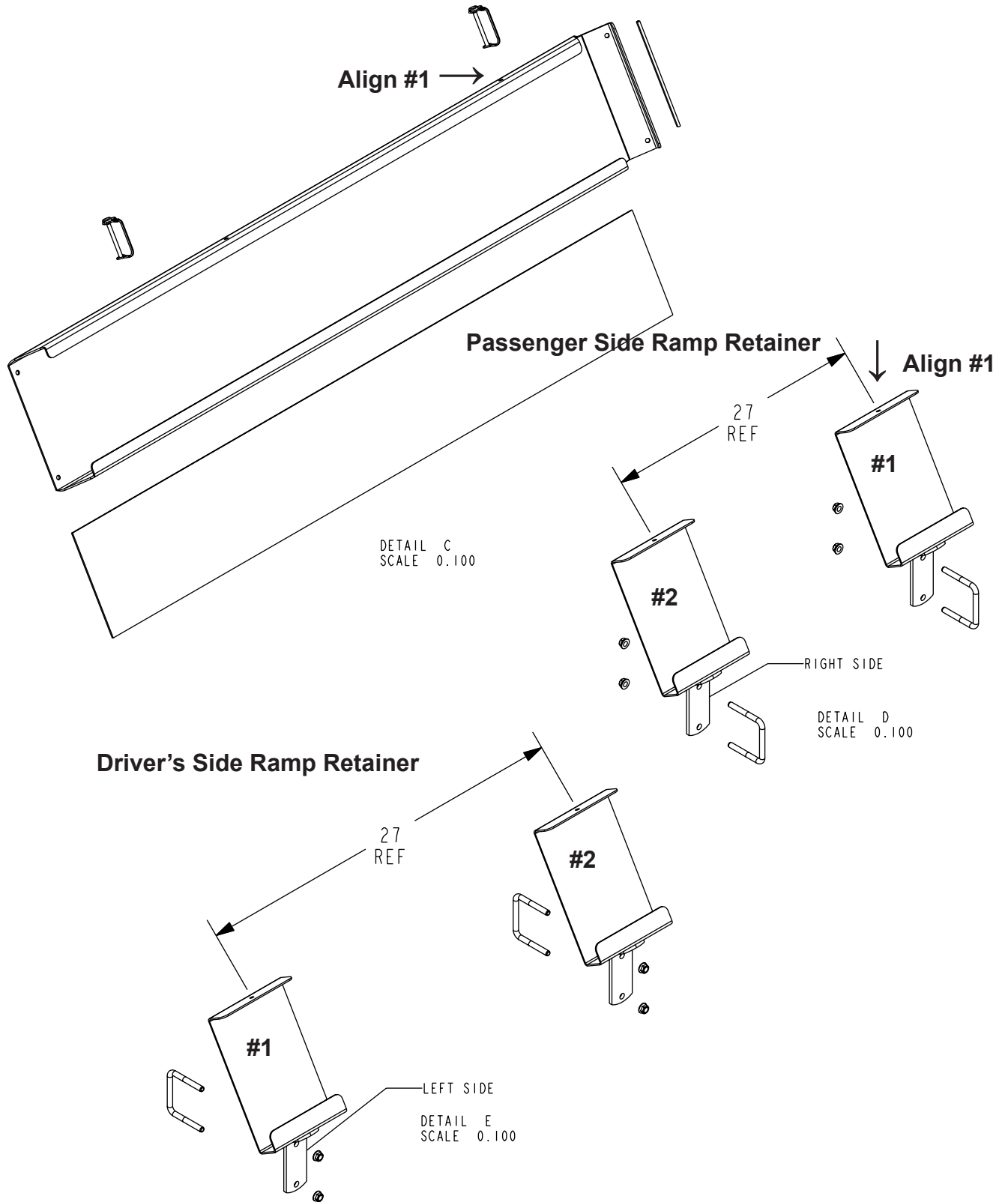
Once all four of the ramp retainer attachment channels are attached to the frame, position the right ramp in the ramp attachment channels. The ramp can either be slid into the end of the channels or else placed in the approximate position, then rotated into place.

See Detail D. Align the holes provided in the edge of the ramp with the holes in the center of the ramp retainer attachment channels as follows: Place one of the 1/4" pins with wire retainer through the aligned holes in the ramp and the retainer attachment channel positioned 10 1/2" from the side of the frame and secure.

Align the hole in the second ramp retainer attachment channel with the second hole in the ramp. Note that the U-bolt may have to be loosened so the ramp retainer can be moved either direction to align the holes. When aligned, insert a second 1/4" pin with wire retainer. Once the pin is inserted, retighten the U-bolt loosened to adjust for proper hole spacing. The two pins will secure the ramps in the transport position.

The passenger side ramp must always be installed first.

Repeat this process on the second ramp.



CAUTION

Locking pin must be in place and ramps secured before towing trailer. Ramps must be used with **ShoreLand'r** 2ATV & 3ATV only. Use of ramps in other applications may result in ramp failure, property damage and/or bodily injuries.

4811496