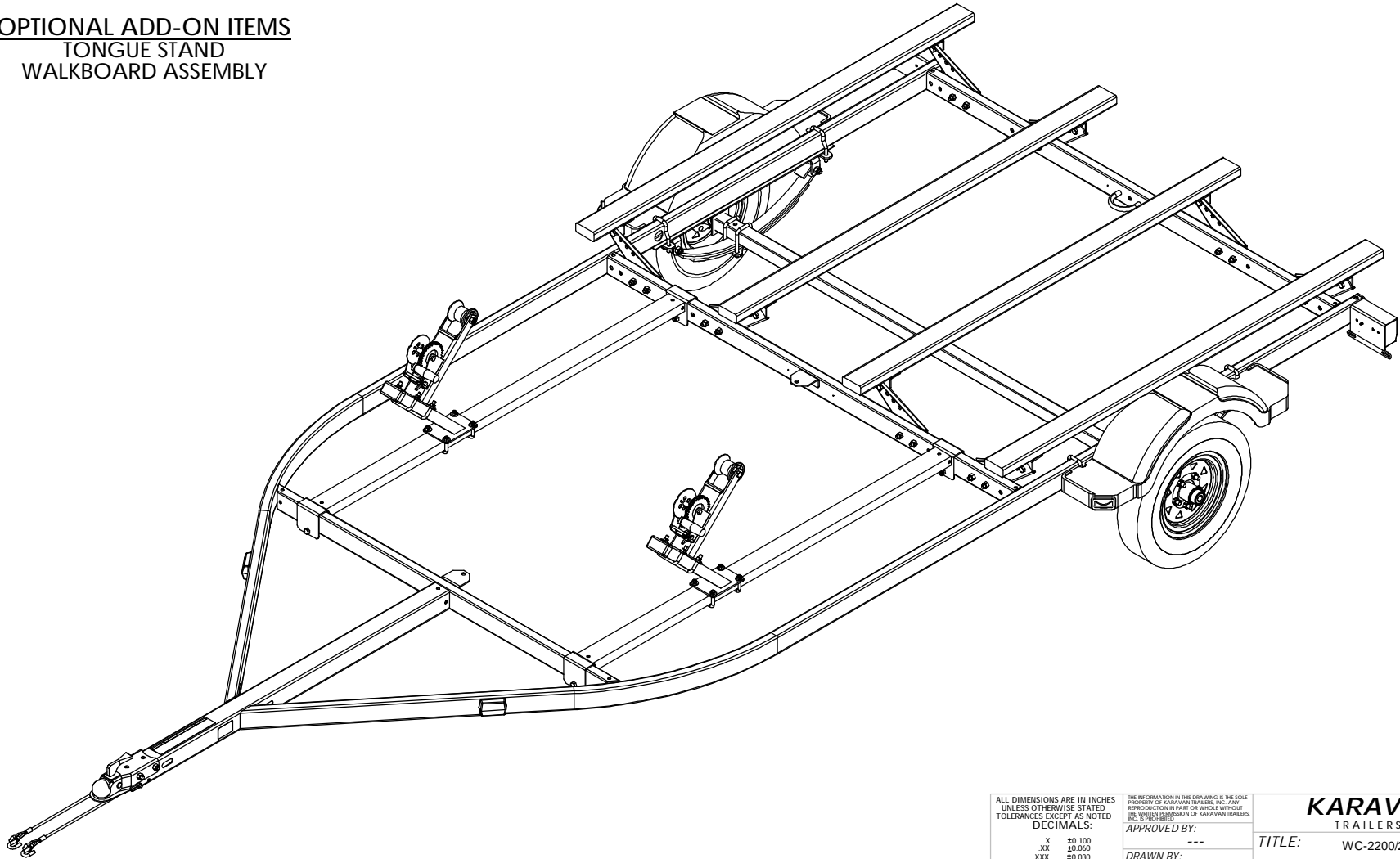


**OPTIONAL ADD-ON ITEMS**  
**TONGUE STAND**  
**WALKBOARD ASSEMBLY**



NOTES:  
 1.) DRAWING MAY BE SHOWN WITH OPTIONS THAT MAY NOT BE ON ALL TRAILER MODELS.

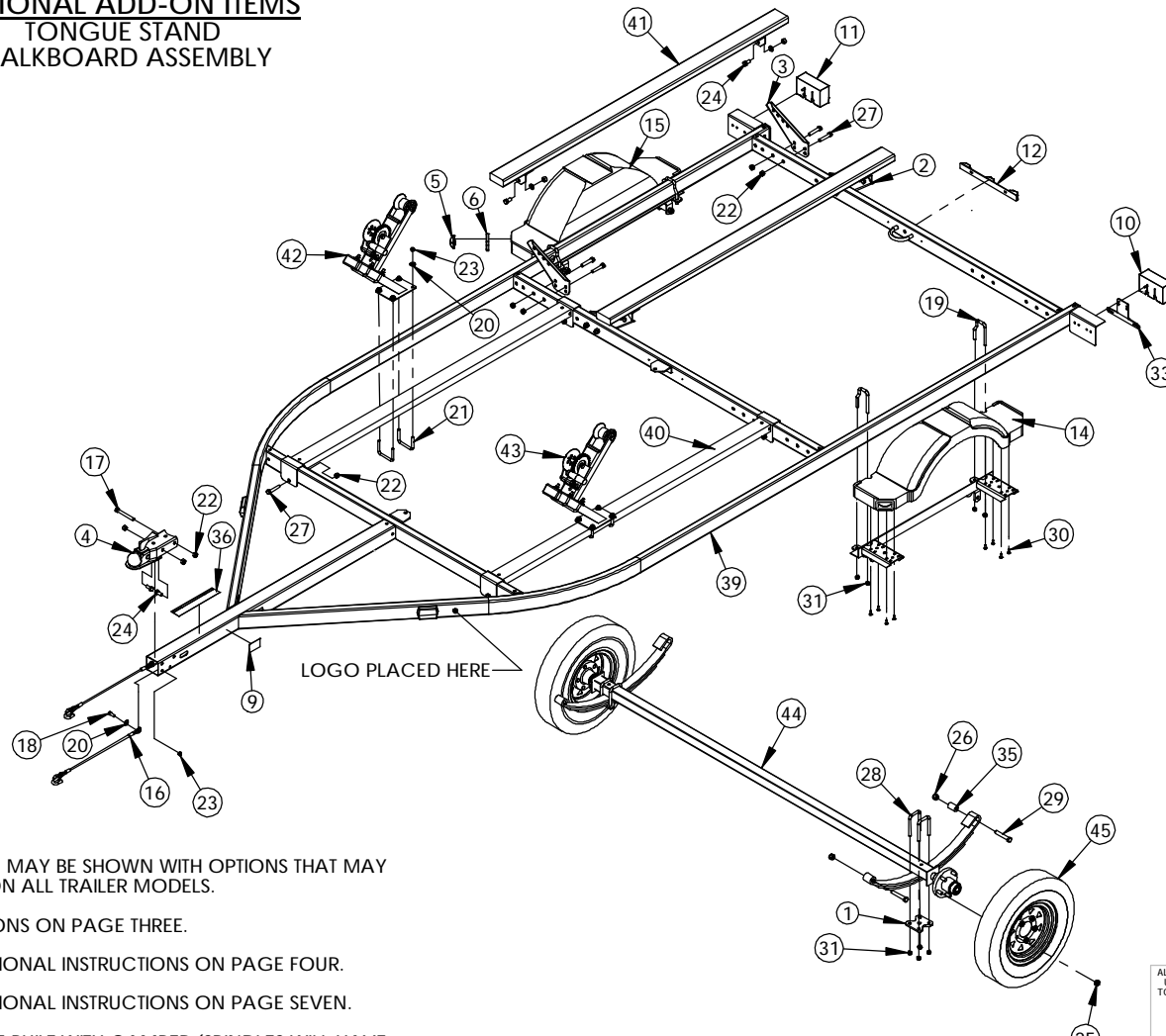
D	15036	KMH	05-11-11	210-00061 REPLACED 210-00047; 210-00076 REPLACED 210-00048;
C/1	14693	DLC	01-07-09	210-00330 REPLACED 210-00046
DWG. REV.	ECR/NDR NUMBER	REVISED BY	DATE	DESCRIPTION
				RELOCATED 234-00032

ALL DIMENSIONS ARE IN INCHES  
 UNLESS OTHERWISE STATED  
 TOLERANCES EXCEPT AS NOTED  
 DECIMALS:  
 .X ±0.100  
 .XX ±0.060  
 .XXX ±0.030  
 .XXXX ±0.010  
 ANGLES:  
 ±1°  
 ALL FORMED ANGLES  
 EQUAL 90° UNLESS  
 NOTED OTHERWISE  
 ( ) INDICATES REFERENCE

THE INFORMATION IN THIS DRAWING IS THE SOLE  
 PROPERTY OF KARAVAN TRAILERS, INC. ANY  
 REPRODUCTION IN PART OR WHOLE WITHOUT  
 THE WRITTEN PERMISSION OF KARAVAN TRAILERS,  
 INC. IS PROHIBITED.  
 APPROVED BY: ---  
 DRAWN BY:  
 DON CASTLE  
 DATE: 11/19/2007  
 SHEET: 1 OF 7  
 SCALE: N/A

<b>KARAVAN</b> TRAILERS	
TITLE:	WC-2200/2450-84
MAT'L:	SEE B.O.M.
FINISH:	N/A
DWG. #:	<b>WC-2200-2450-84</b>

**OPTIONAL ADD-ON ITEMS  
TONGUE STAND  
WALKBOARD ASSEMBLY**



- NOTE:
- 1.) DRAWING MAY BE SHOWN WITH OPTIONS THAT MAY NOT BE ON ALL TRAILER MODELS.
  - 2.) SEE OPTIONS ON PAGE THREE.
  - 3.) SEE ADDITIONAL INSTRUCTIONS ON PAGE FOUR.
  - 4.) SEE ADDITIONAL INSTRUCTIONS ON PAGE SEVEN.
  - 5.) AXLES ARE BUILT WITH CAMBER (SPINDLES WILL HAVE A SLIGHT DOWN SLOPE).
  - 6.) IF AXLES CAN BE MOUNTED MORE THAN ONE WAY, WELD TACKS ON THE ENDS OF AXLE TUBE, INDICATE TOP.

D	15036	KMH	05-11-11	210-00061 REPLACED 210-00047; 210-00076 REPLACED 210-00048; 210-00330 REPLACED 210-00046
C/1	14693	DLC	01-07-09	RELOCATED 234-00032
DWG. REV.	ECR/NDR NUMBER	REVISED BY	DATE	DESCRIPTION

ITEM NO.	SEE NOTES	PART NUMBER	DESCRIPTION	QTY.
1		100-00042	SPRING PAD	2
2	4	100-01845	BUNK BRACKET L.H.	4
3	4	100-01846	BUNK BRACKET R.H.	4
4		204-00003	COUPLER	1
5	3	205-00001	AMBER SNAP-LOC LIGHT	2
6		205-00046	SNAP-LOC GROMMET	2
7	3	205-00095	AMBER SIDE LIGHT	2
8	3	205-00113	PIGTAIL W/ PLUGS	2
9		205-00142	AMBER REFLECTOR TAPE	2
10	3	205-00157	TAIL LIGHT LH	1
11	3	205-00158	TAIL LIGHT R.H.	1
12	3	205-00163	I.D. BAR LIGHT SUBM.	1
13	3	205-00167	WIRE HARNESS	1
14		206-00085	FENDER (LH)	1
15		206-00086	FENDER (RH)	1
16		208-00033	SAFETY CABLE & HOOK	2
17		210-00014	50"-13 X 4 00" HX HD BOLT	1
18		210-00022	.375"-16 X 1 00" HX HD BOLT	2
19		210-00024	.438" X 4.25" FLARED U-BOLT	4
20		210-00025	.375" FLAT WASHER	10
21		210-00054	.375"-16 X 3.125" X 2.37" U-BOLT	4
22		210-00061	50"-13 CENTERLOCK HEX NUT	31
23		210-00076	.375"-16 CENTERLOCK HEX NUT	10
24		210-00133	50"-13 X 1 00" HX HD BOLT	10
25		210-00137	50"-20 X .813" LUG NUT	10
26		210-00157	.563"-12 NYLOCK HEX NUT	4
27		210-00187	50"-13 X 2.50" HX HD BOLT	20
28		210-00193	.438"-14 X 2.098" X 4 00" U-BOLT	4
29		210-00211	.563"-12 X 3.25" HX HD BOLT	4
30		210-00268	25-14 X .625 PAN HEAD SCREW	16
31		210-00330	.438"-14 CENTERLOCK HEX NUT	16
32		219-00004	3-LEAF HOOK SPRING	2
33		229-00006	LICENSE PLATE BRACKET	1
34		229-00043	WASHER	8
35		229-00095	BUSHING	2
36		234-00032	TRAILERING CHECKLIST	1
37		234-00060	LOGO	2
38		300-01130	SPRING HANGER WELDMENT	2
39		300-01309	FRAME WELDMENT	1
40		300-01318	WINCH SUPPORT TUBE WELD	2
41	4	310-00979	BUNK ASSY	4
42	4	310-01643	WINCH ASSY	1
43	4	310-01644	WINCH ASSY	1
44	2		AXLE ASSY	1
45	2		TIRE	2

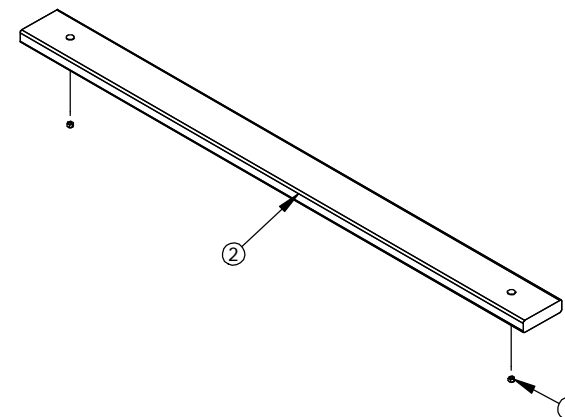
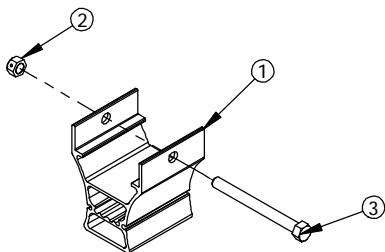
ALL DIMENSIONS ARE IN INCHES  
UNLESS OTHERWISE STATED  
TOLERANCES EXCEPT AS NOTED  
DECIMALS:  
.X .0100  
.XX .0060  
.XXX .0030  
.XXXX .0010  
ANGLES:  
S1°  
ALL FORMED ANGLES  
EQUAL 90° UNLESS  
NOTED OTHERWISE  
( ) INDICATES REFERENCE

THE INFORMATION IN THIS DRAWING IS THE SOLE  
PROPERTY OF KARAVAN TRAILERS, INC. ANY  
REPRODUCTION IN PART OR WHOLE WITHOUT  
THE WRITTEN PERMISSION OF KARAVAN TRAILERS,  
INC. IS PROHIBITED.  
APPROVED BY:  
---  
DRAWN BY:  
DON CASTLE  
DATE: 11/19/2007  
SHEET: 2 OF 7  
SCALE: N/A

**KARAVAN**  
TRAILERS  
WC-2200/2450-84  
MAT'L: SEE B.O.M.  
N/A  
**WC-2200-2450-84**

ITEM NO.	PART NUMBER	DESCRIPTION	QTY.
1	100-01047	TONGUE STAND	1
2	210-00076	.375"-16 CENTERLOCK HEX NUT	1
3	210-00080	.375"-16 X 4.00" HX HD BOLT	1

ITEM NO.	PART NUMBER	DESCRIPTION	QTY.
1	210-00076	.375"-16 CENTERLOCK HEX NUT	2
2	310-00942	BUNK ASSY	1



OPTIONS							
WC-2200-84 ST175/80D13C	WC-2200-84 W/WLKBRD ST175/80D13C	WC-2200-84 W/TNG STND ST175/80D13C	WC-2200-84 20.5 X 8-10E	PARTS	WC-2450-84 ST185/80D13C	WC-2450-84 W/WLKBRD ST185/80D13C	WC-2450-84 W/TNG STND ST185/80D13C
310-00698	310-00698	310-00698	310-00698	AXLE ASSY	310-01842	310-01842	310-01842
220-00025	220-00025	220-00025	220-00085	TIRES	220-00052	220-00052	220-00052
---	---	100-01047	---	TONGUE STAND	---	---	100-01047
---	310-00942	---	---	WALKBOARD	---	310-00942	---

NOTES:

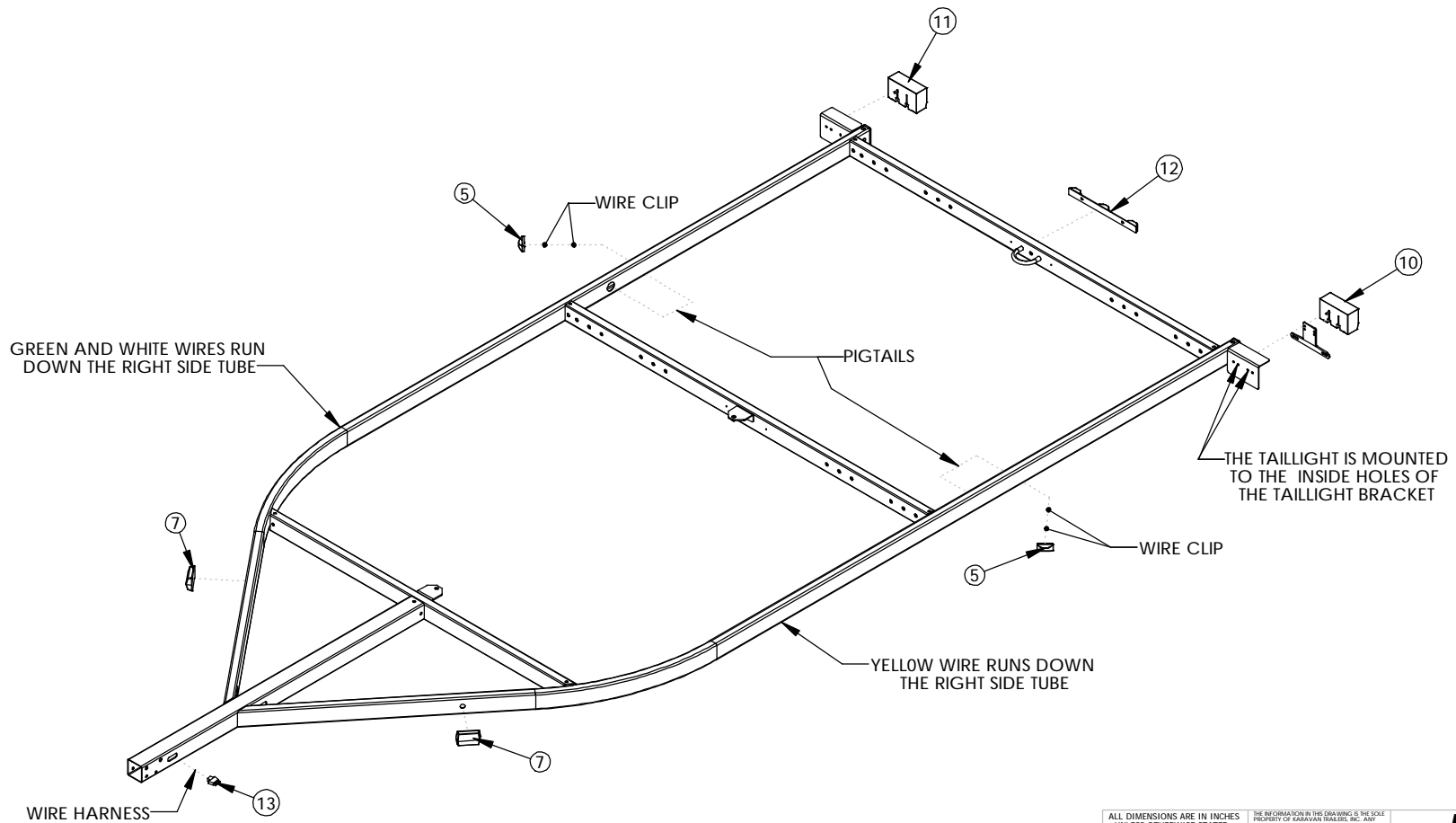
- 1.) REFER TO THE B.O.M.s ABOVE ADD-ON COMPONENT FOR MOUNTING HARDWARE AND COMPONENTS.

D	15036	KMH	05-11-11	210-00061 REPLACED 210-00047; 210-00076 REPLACED 210-00048; 210-00330 REPLACED 210-00046
C/1	14693	DLC	01-07-09	RELOCATED 234-00032
DWG. REV.	ECR/NDR NUMBER	REVISED BY	DATE	DESCRIPTION

ALL DIMENSIONS ARE IN INCHES  
UNLESS OTHERWISE STATED  
TOLERANCES EXCEPT AS NOTED  
DECIMALS:  
.X ±0.100  
.XX ±0.060  
.XXX ±0.030  
.XXXX ±0.010  
ANGLES:  
±1°  
ALL FORMED ANGLES  
EQUAL 90° UNLESS  
NOTED OTHERWISE  
( ) INDICATES REFERENCE

THE INFORMATION IN THIS DRAWING IS THE SOLE  
PROPERTY OF KARAVAN TRAILERS, INC. ANY  
REPRODUCTION IN PART OR WHOLE WITHOUT  
THE WRITTEN PERMISSION OF KARAVAN TRAILERS,  
INC. IS PROHIBITED.  
APPROVED BY: ---  
DRAWN BY: DON CASTLE  
DATE: 11/19/2007  
SHEET: 3 OF 7  
SCALE: N/A

<b>KARAVAN</b> TRAILERS	
TITLE:	WC-2200/2450-84
MAT'L:	SEE B.O.M.
FINISH:	N/A
DWG. #:	WC-2200-2450-84



D	15036	KMH	05-11-11	210-00061 REPLACED 210-00047; 210-00076 REPLACED 210-00048; 210-00330 REPLACED 210-00046
C/1	14693	DLC	01-07-09	RELOCATED 234-00032
DWG. REV.	ECR/NDR NUMBER	REVISED BY	DATE	DESCRIPTION

ALL DIMENSIONS ARE IN INCHES UNLESS OTHERWISE STATED TOLERANCES EXCEPT AS NOTED

DECIMALS:

.X ±0.100  
 .XX ±0.060  
 .XXX ±0.030  
 .XXXX ±0.010

ANGLES:  
 ±1°

ALL FORMED ANGLES EQUAL 90° UNLESS NOTED OTHERWISE

( ) INDICATES REFERENCE

THE INFORMATION IN THIS DRAWING IS THE SOLE PROPERTY OF KARAVAN TRAILERS, INC. ANY REPRODUCTION IN PART OR WHOLE WITHOUT THE WRITTEN PERMISSION OF KARAVAN TRAILERS, INC. IS PROHIBITED.

APPROVED BY: ---

DRAWN BY: *DON CASTLE*

DATE: 11/19/2007

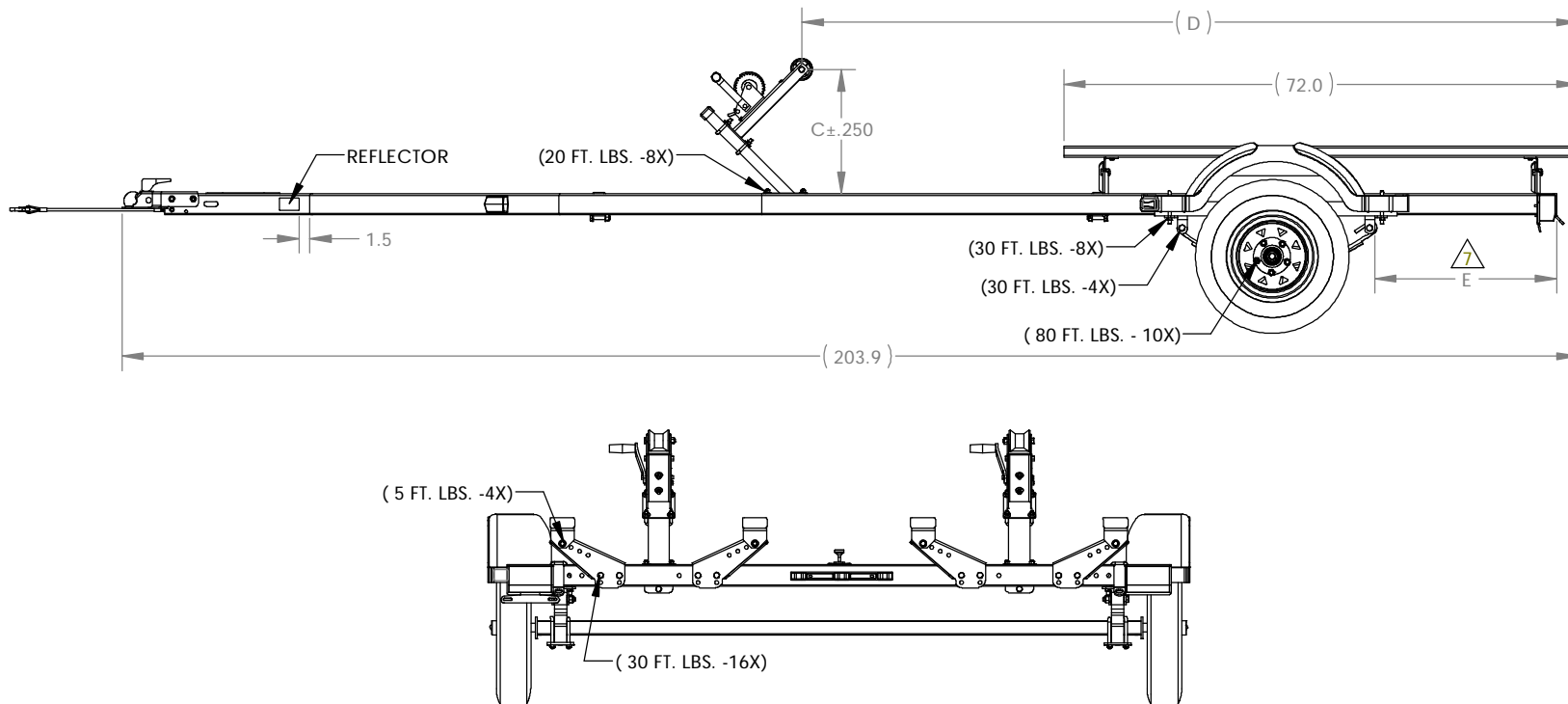
SHEET: 4 OF 7

SCALE: N/A

<b>KARAVAN</b> TRAILERS	
TITLE:	WC-2200/2450-84
MAT'L:	SEE B.O.M.
FINISH:	N/A
DWG. #:	<b>WC-2200-2450-84</b>

MODEL #	DIMENSIONS		
	"C"	"D"	"E"
	UP	REF	AXLE
*	17.5	108.8	25.50

\* TRAILER SET TO THESE DIMENSIONS



NOTES:

DIMENSION IS FROM BACK OF SPRING HANGER TO THE BACK OF FRAME.

8.) TORQUE CALLOUTS IN PARENTHESIS ARE FOR REFERENCE. TIGHTEN FASTENERS UNTIL PINCHED TIGHT (DO NOT OVER TIGHTEN BUNK PIVOT POINTS). MINOR DEFLECTION OF MATERIAL IS ACCEPTABLE.

D	15036	KMH	05-11-11	210-00061 REPLACED 210-00047; 210-00076 REPLACED 210-00048; 210-00330 REPLACED 210-00046
C/1	14693	DLG	01-07-09	RELOCATED 234-00032
DWG. REV.	ECR/NDR NUMBER	REVISED BY	DATE	DESCRIPTION

ALL DIMENSIONS ARE IN INCHES UNLESS OTHERWISE STATED  
TOLERANCES EXCEPT AS NOTED  
DECIMALS:  
.X ±0.100  
.XX ±0.060  
.XXX ±0.030  
.XXXX ±0.010  
ANGLES:  
±1°  
ALL FORMED ANGLES EQUAL 90° UNLESS NOTED OTHERWISE  
( ) INDICATES REFERENCE

THE INFORMATION IN THIS DRAWING IS THE SOLE PROPERTY OF KARAVAN TRAILERS, INC. ANY REPRODUCTION IN PART OR WHOLE WITHOUT THE WRITTEN PERMISSION OF KARAVAN TRAILERS, INC. IS PROHIBITED.  
APPROVED BY: ---  
DRAWN BY: *DON CASTLE*  
DATE: 11/19/2007  
SHEET: 5 OF 7  
SCALE: N/A

**KARAVAN**  
TRAILERS

TITLE: WC-2200/2450-84

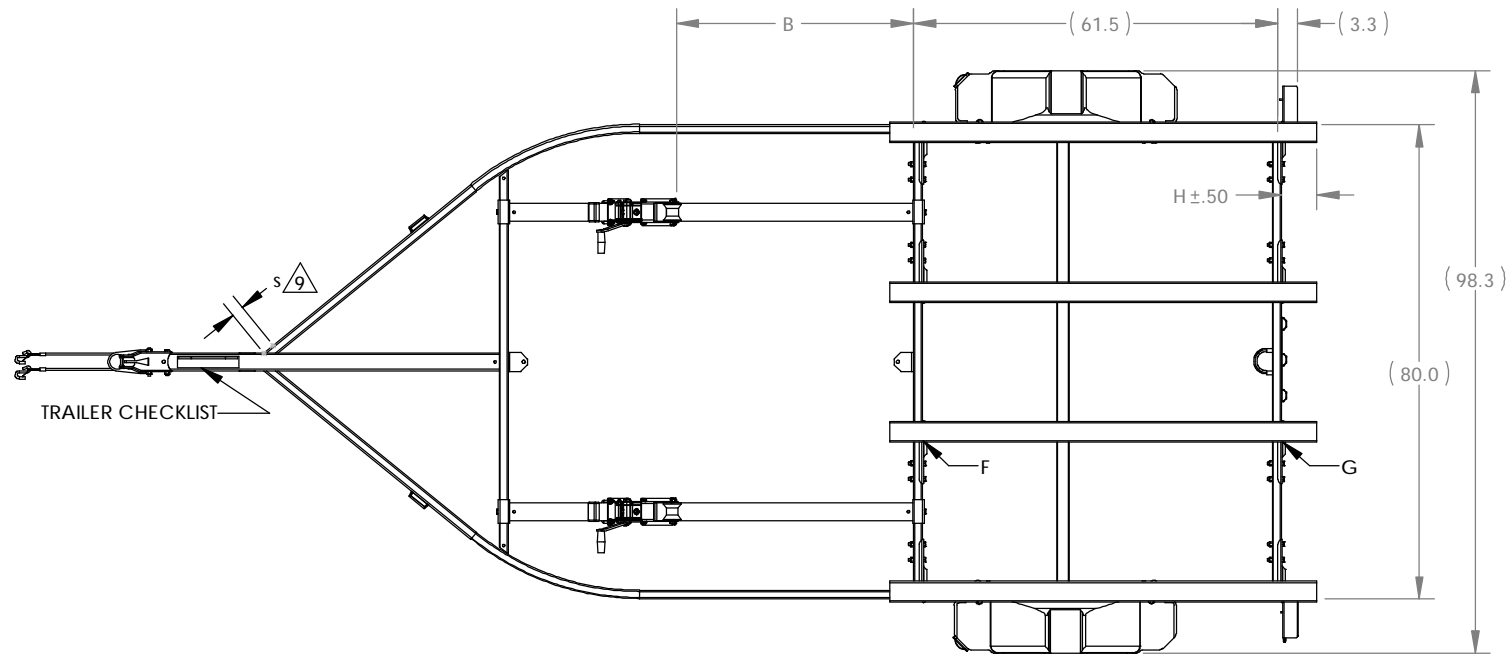
MAT'L: SEE B.O.M.

FINISH: N/A

DWG. #: WC-2200-2450-84

MODEL #	DIMENSIONS				
	"B"	"F"	"G"	"H"	"S"
	POST	FRONT	REAR	BACK	STAMP
*	40.0	POSITION 4	POSITION 4	6.0	2.0

\* TRAILER SET UP TO THESE DIMENSIONS



NOTES:

1.) DRAWING MAY BE SHOWN WITH OPTIONS THAT MAY NOT BE ON ALL TRAILER MODELS.

DIMENSION INDICATES THE SET LOCATION OF THE RIGHT EDGE OF THE PIN STAMPER

D	15036	KMH	05-11-11	210-00061 REPLACED 210-00047; 210-00076 REPLACED 210-00048; 210-00330 REPLACED 210-00046
C/1	14693	DLC	01-07-09	RELOCATED 234-00032
DWG. REV.	ECR/NDR NUMBER	REVISED BY	DATE	DESCRIPTION

ALL DIMENSIONS ARE IN INCHES UNLESS OTHERWISE STATED TOLERANCES EXCEPT AS NOTED

DECIMALS:  
 .X ±0.100  
 .XX ±0.060  
 .XXX ±0.030  
 .XXXX ±0.010

ANGLES:  
 ±1°

ALL FORMED ANGLES EQUAL 90° UNLESS NOTED OTHERWISE

( ) INDICATES REFERENCE

THE INFORMATION IN THIS DRAWING IS THE SOLE PROPERTY OF KARAVAN TRAILERS, INC. ANY REPRODUCTION IN PART OR WHOLE WITHOUT THE WRITTEN PERMISSION OF KARAVAN TRAILERS, INC. IS PROHIBITED.

APPROVED BY: \*\*\*

DRAWN BY: DON CASTLE

DATE: 11/19/2007

SHEET: 6 OF 7

SCALE: N/A

**KARAVAN**  
TRAILERS

TITLE: WC-2200/2450-84

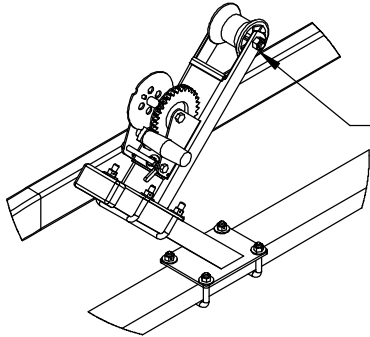
MAT'L: SEE B.O.M.

FINISH: N/A

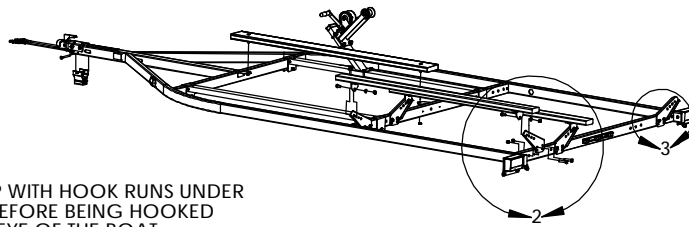
DWG. #: WC-2200-2450-84

**VIEW 1**

**WINCH MOUNTING INSTRUCTIONS**



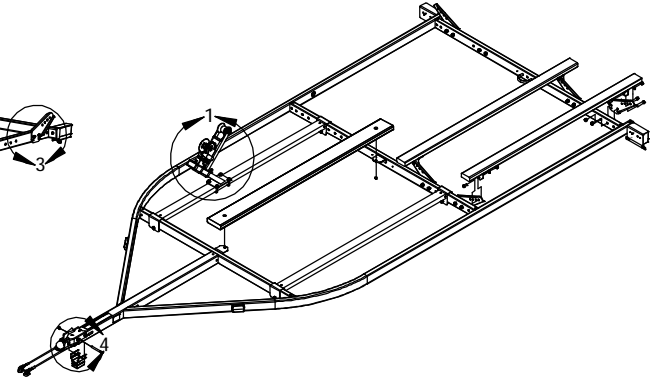
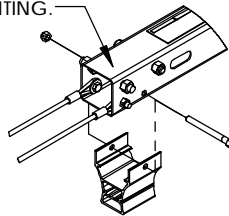
WINCH STRAP WITH HOOK RUNS UNDER THE ROLLER BEFORE BEING HOOKED TO THE BOW EYE OF THE BOAT.



**VIEW 2**

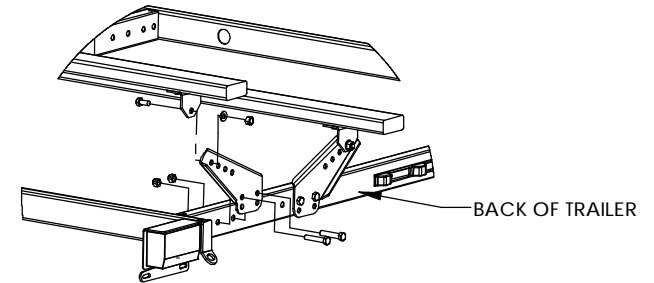
**TONGUE STAND MOUNTING INSTRUCTIONS**

COUPLER REMOVED TO SHOW TONGUE STAND MOUNTING.



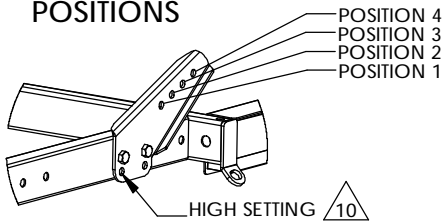
**VIEW 2**

**BUNK MOUNTING INSTRUCTIONS**



**VIEW 3**

**BUNK BRACKET POSITIONS**



POSITION 4  
POSITION 3  
POSITION 2  
POSITION 1

HIGH SETTING  $\triangle$  10

NOTES:  
1.) DRAWINGS MAY BE SHOWN WITH OPTIONS THAT MAY NOT BE ON ALL TRAILER MODELS.

$\triangle$  10 BUNK BRACKETS SHOWN IN LOW SETTING.

D	15036	KMH	05-11-11	210-00061 REPLACED 210-00047; 210-00076 REPLACED 210-00048; 210-00330 REPLACED 210-00046
C/1	14693	DLC	01-07-09	RELOCATED 234-00032
DWG. REV.	ECR/NDR NUMBER	REVISED BY	DATE	DESCRIPTION

ALL DIMENSIONS ARE IN INCHES UNLESS OTHERWISE STATED TOLERANCES EXCEPT AS NOTED  
DECIMALS:  
.X ±0.100  
.XX ±0.060  
.XXX ±0.030  
.XXXX ±0.010  
ANGLES:  
±1°  
ALL FORMED ANGLES EQUAL 90° UNLESS NOTED OTHERWISE  
( ) INDICATES REFERENCE

THE INFORMATION IN THIS DRAWING IS THE SOLE PROPERTY OF KARAVAN TRAILERS, INC. ANY REPRODUCTION IN PART OR WHOLE WITHOUT THE WRITTEN PERMISSION OF KARAVAN TRAILERS, INC. IS PROHIBITED.  
APPROVED BY: ---  
DRAWN BY: DON CASTLE  
DATE: 11/19/2007  
SHEET: 7 OF 7  
SCALE: N/A

**KARAVAN TRAILERS**

TITLE: WC-2200/2450-84

MAT'L: SEE B.O.M.

FINISH: N/A

DWG. #: WC-2200-2450-84