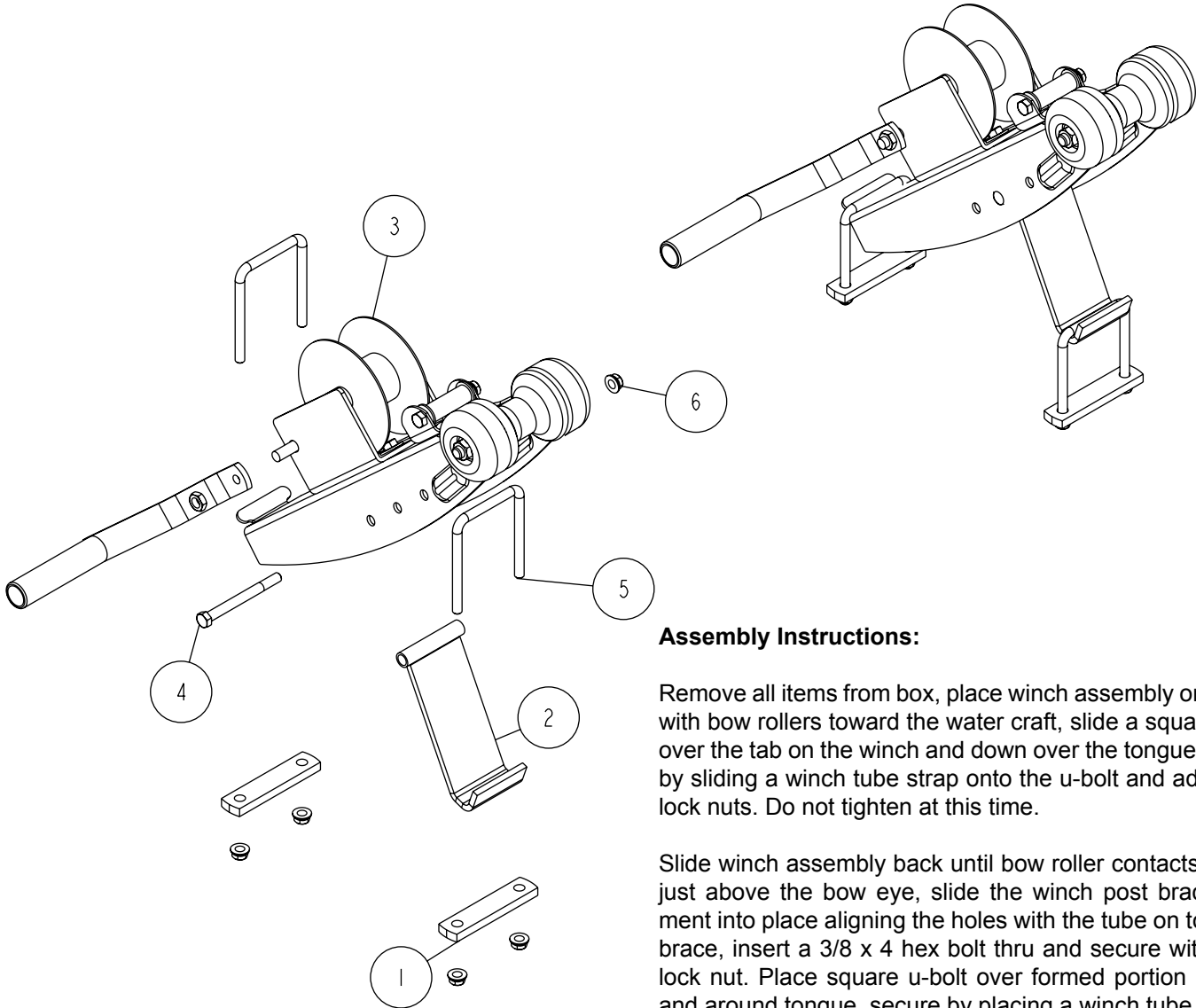


TA0084 Winch and Post Bundle - PWC



Assembly Instructions:

Remove all items from box, place winch assembly on tongue with bow rollers toward the water craft, slide a square u-bolt over the tab on the winch and down over the tongue. Secure by sliding a winch tube strap onto the u-bolt and add flange lock nuts. Do not tighten at this time.

Slide winch assembly back until bow roller contacts the hull just above the bow eye, slide the winch post brace weldment into place aligning the holes with the tube on top of the brace, insert a 3/8 x 4 hex bolt thru and secure with flange lock nut. Place square u-bolt over formed portion of brace and around tongue, secure by placing a winch tube strap on the u-bolt and adding flange locknuts.

Tighten all hardware, remove handle nut from winch assembly, match hole in handle with the shape of the shaft, re-apply handle nut and tighten. Assembly is complete.

ITEM	PART #	DESCRIPTION	QTY	NOTE
1	62092	WINCH TUBE STRAP	2	
2	62486	WINCH POST BRACE WMENT	1	
3	66356	WINCH ASSY - PWC1200	1	
4	0110060	HH 3/8-16 X 4 CS GR5	1	
5	0310090	SUB 3/8-16 X 3 7/16 X 4 1/8	2	
6	1440101	HEX LOCKNUT FLANGE 3/8-16 W/T&T	5	