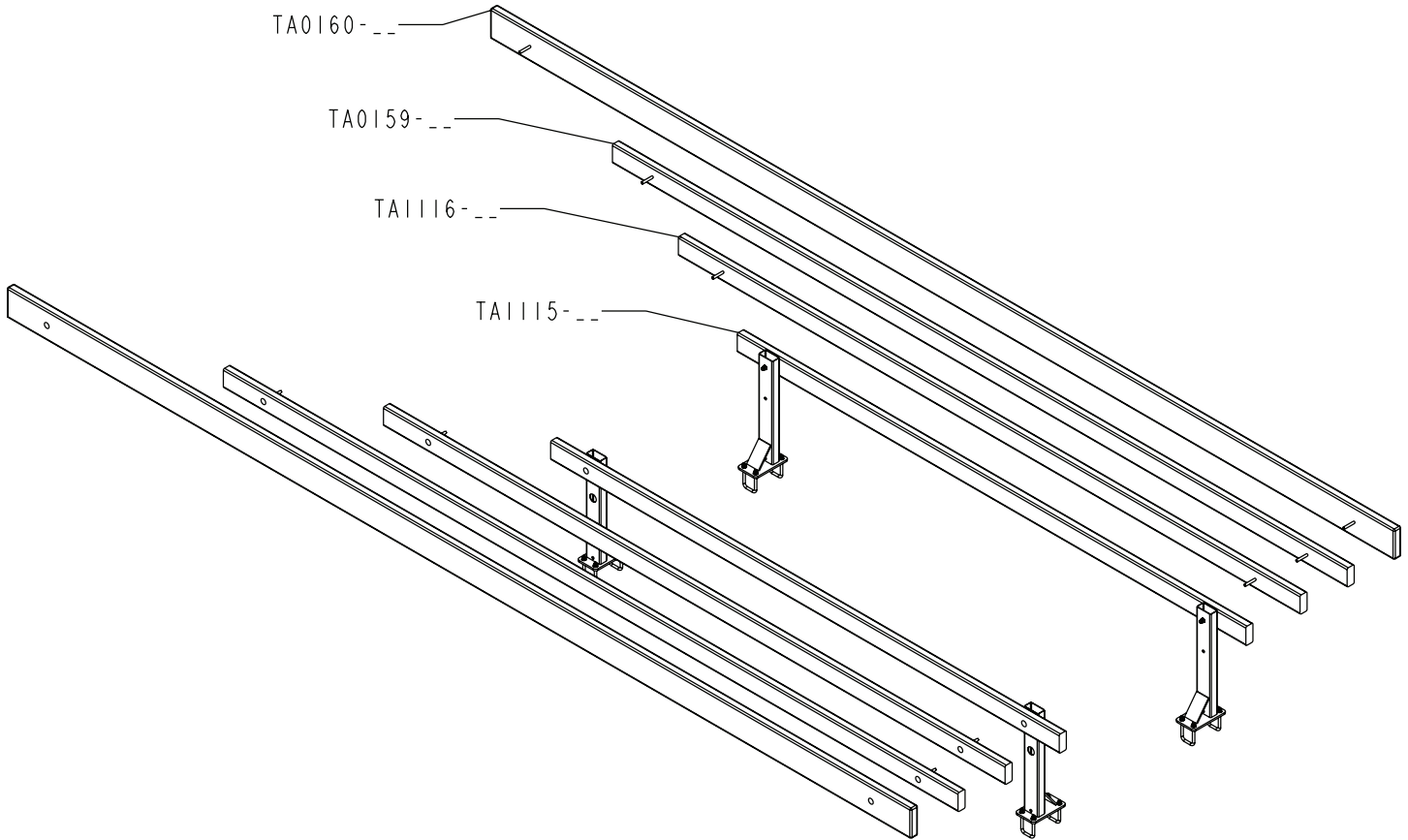
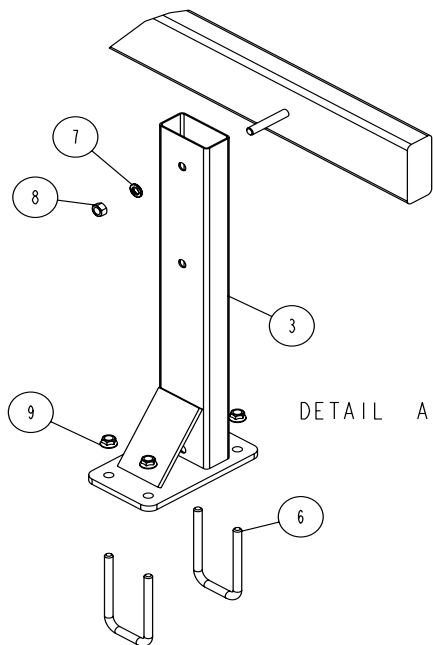
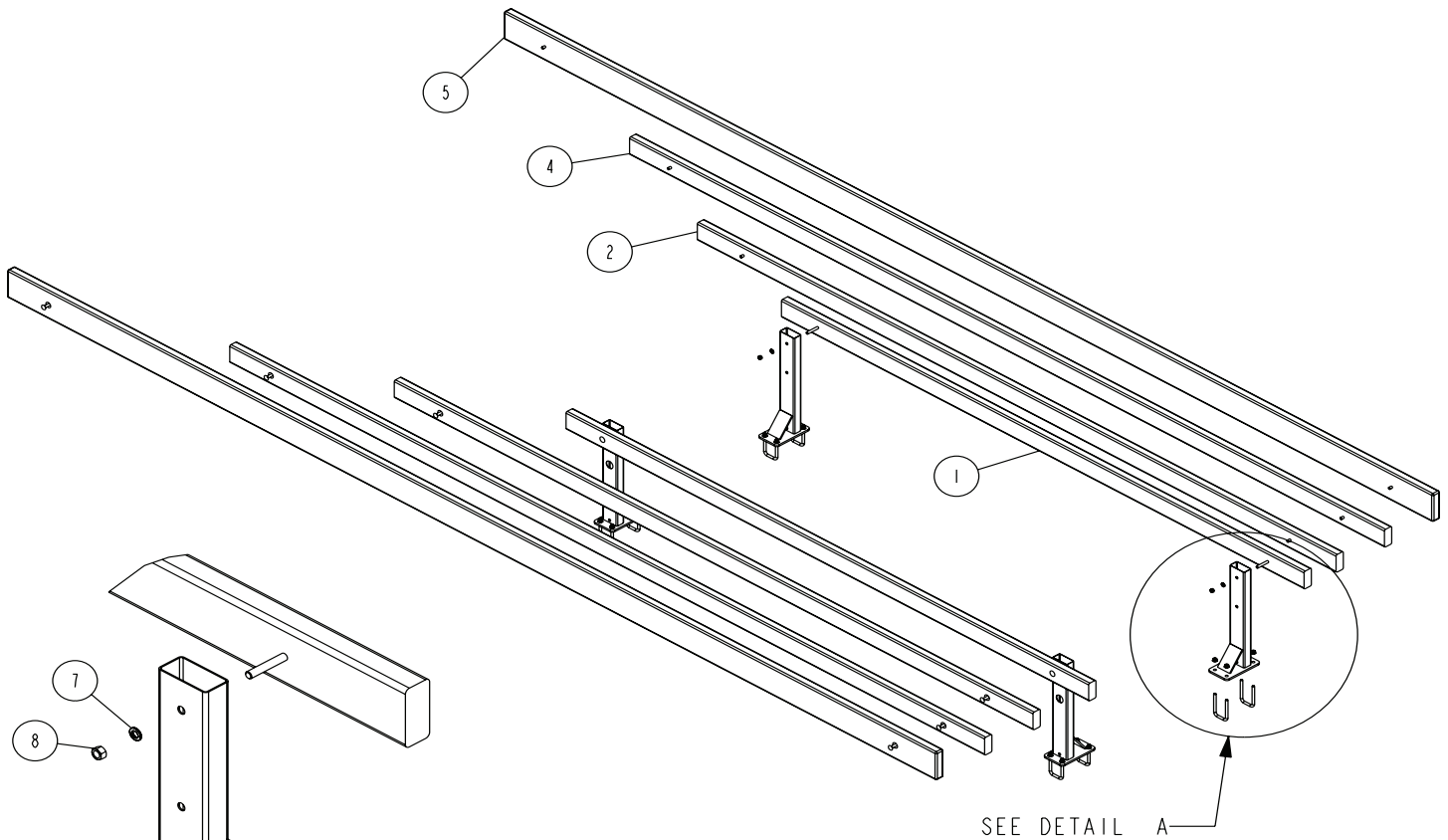


Pontoon Loadguides For all Pontoon models beginning 2009 model year.



Loadguide Required	Bunk Length	Pontoon Models
TA1115	9'	PT1922, PT1922B, PT1922A, PT1925AB
TA1116	11'	PT2122, PT2122B, PT2122A, PT2125AB, PT2147TB, PT2147TBB, PT2147TAB, PT2147TABB
TA0159	13'	PT2325AB, PT2347TB, PT2347TBB, PT2347TAB, PT2347TABB
TA0160	16'	PT2547TB, PT2547TBB, PT2550TAB, PT2555TABB, PT2947TB, PT2947TBB, PT2950TAB, PT29557AB



ITEM	PART #	DESCRIPTION	QTY	NOTE
1	64244	LOADGUIDE BUNK 9FT W/CARPET	2	
2	64245	LOADGUIDE BUNK 11FT W/CARPET	2	
3	64595	POST LOADGUIDE WMENT	4	
4	70135	LOADGUIDE BUNK ASSY 13FT W/CARPET	2	
5	70136	LOADGUIDE BUNK ASSY 16FT W/CARPET	2	
6	0310103	SUB 3/8 X 2 7/16 X 4	8	
7	1340030	LOCKWASHER 3/8 S/T MED ULTRASEAL	4	
8	1410109	HEX NUT 3/8-16	4	
9	1440101	HEX LOCKNUT FLANGE 3/8-16 W/T&T	16	

Assembly Instructions

- Break the bundles and sort all items.
- Locate the post load guide weldments. Position one on the rear cross member as shown in the diagram.
- Place two – 3/8" x 2 7/16" x 4" U-bolts up around the cross member and into the holes provided in the weldment. Secure with 3/8" flange lock nuts. Do not tighten.
- Repeat this process with another post load guide weldment on the front cross member.
- Position one of the carpeted bunks on the outside of the weldments just installed as shown in the diagram. Tighten.
- Attach the bunk to both the front and rear weldments using the bolts already installed in the bunks. Secure to the weldments using 3/8" lock washers and hex nuts.
- Repeat the above process on the other load guide on the other side of the trailer.

Adjustment

- Center the pontoon on the trailer.
- Slide the load guides out until they are within 1/2" of the inside of the pontoon tube. This adjustment may not be correct if your pontoon has splash guards extending past the tubes up front. Position so they clear the splash guards. Tighten in position.
- Unload and reload the pontoon to make sure they are adjusted to best fit your pontoon.
- Reposition the load guides if needed.
- Adjustment is complete.