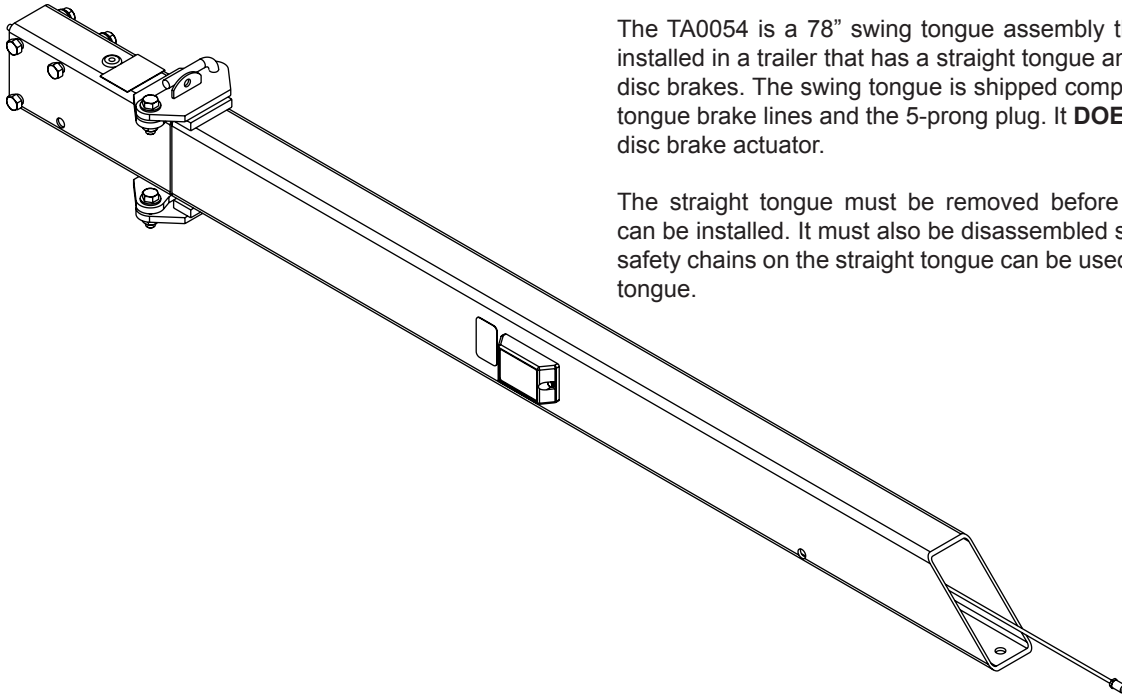
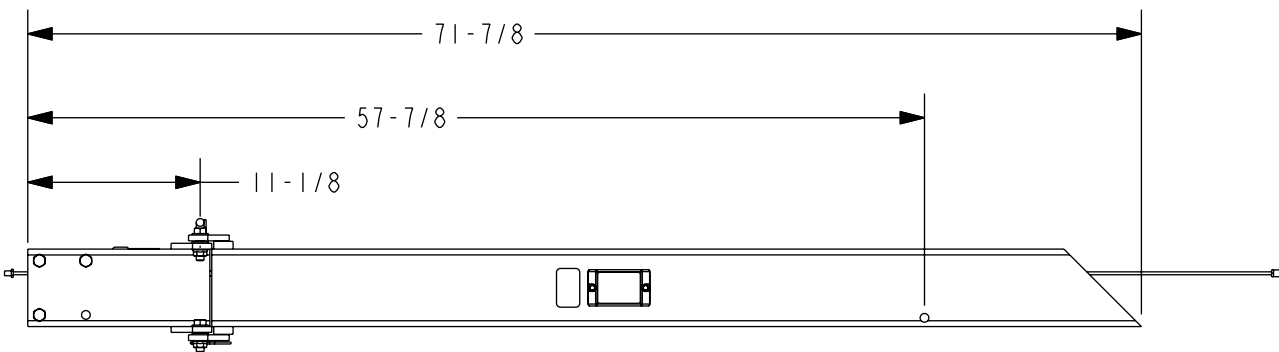


TA0054 Swing Tongue Assembly 78" No Actuator 3X5 Tongue

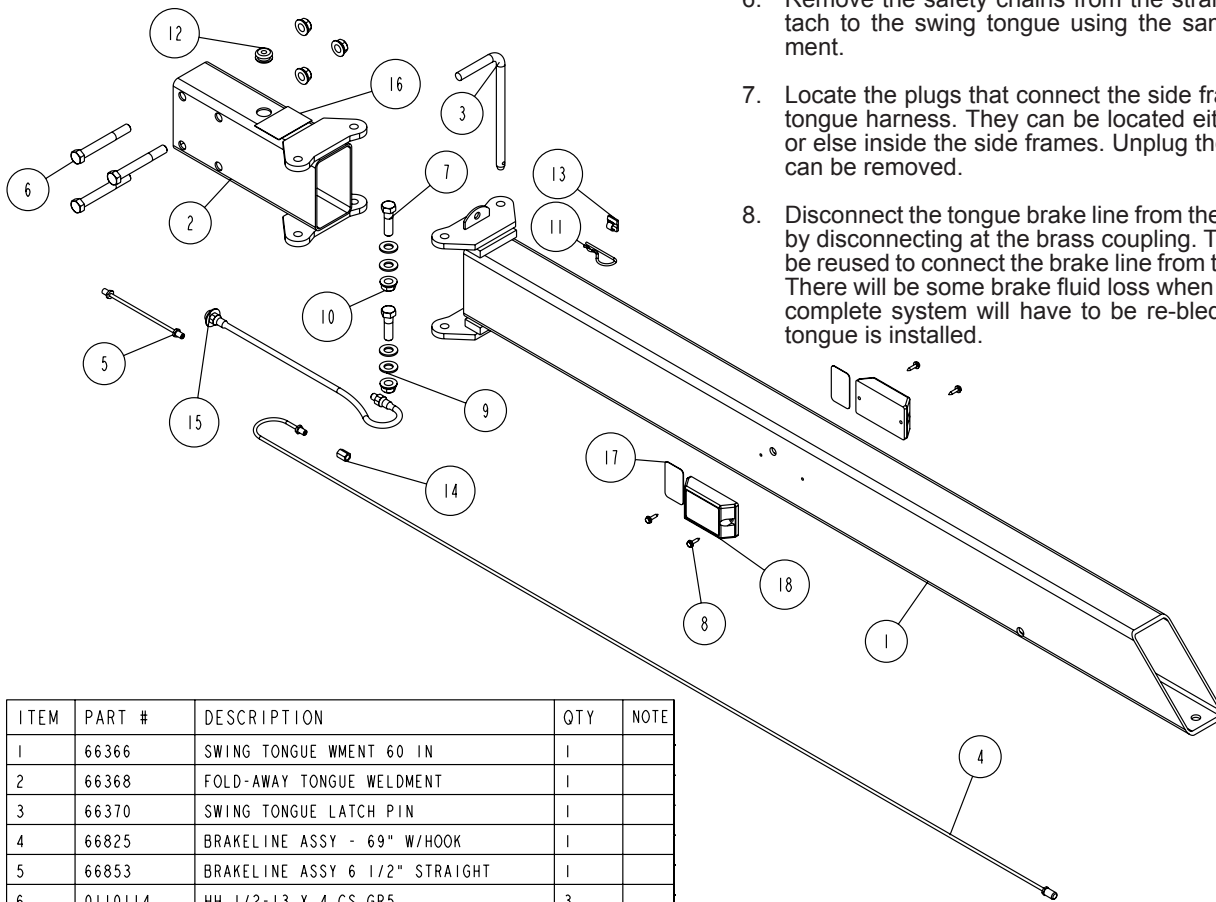


The TA0054 is a 78" swing tongue assembly that is meant to be installed in a trailer that has a straight tongue and is equipped with disc brakes. The swing tongue is shipped complete with the swing tongue brake lines and the 5-prong plug. It **DOES NOT** include the disc brake actuator.

The straight tongue must be removed before the swing tongue can be installed. It must also be disassembled so the actuator and safety chains on the straight tongue can be used on the new swing tongue.



SCALE 0.080



6. Remove the safety chains from the straight tongue and re-attach to the swing tongue using the same method of attachment.
7. Locate the plugs that connect the side frame harnesses to the tongue harness. They can be located either inside the tongue or else inside the side frames. Unplug the plugs so the tongue can be removed.
8. Disconnect the tongue brake line from the side frame brake line by disconnecting at the brass coupling. The brass coupling will be reused to connect the brake line from the new swing tongue. There will be some brake fluid loss when disconnecting but the complete system will have to be re-bled after the new swing tongue is installed.

ITEM	PART #	DESCRIPTION	QTY	NOTE
1	66366	SWING TONGUE WMENT 60 IN	1	
2	66368	FOLD-AWAY TONGUE WELDMENT	1	
3	66370	SWING TONGUE LATCH PIN	1	
4	66825	BRAKELINE ASSY - 69" W/HOOK	1	
5	66853	BRAKELINE ASSY 6 1/2" STRAIGHT	1	
6	0110114	HH 1/2-13 X 4 CS GR5	3	
7	0140096	HH 1/2-13 X 1 3/4 CS GR5	2	
8	0810925	SCREW SELFDRIILL HWH #10-16 X 3/4	4	
9	1340100	WASHER USS FLAT 1/2	4	
10	1440102	HEX LOCKNUT FLANGE 1/2-13 W/T&T	5	
11	1540305	HAIRPIN COTTER #9 ZP	1	
12	3510030	GROMMET 7/8IN MOLDED	1	
13	3510169	WIRE CLIP ADHESIVE BACK	1	
14	4510505	COUPLING - NO. 302X3 WTHR-HD TUBE	1	
15	4510511	HOSE - 18IN MALE-FEMALE BRAKE	1	
-	4850182	DECAL SWINGTONGUE INSTRUCTION	1	
-	4850183	DECAL SWINGTONGUE PINCH POINT	1	
16	4850412	DECAL WARNING CAPACITY SWING TONGUE	1	
17	5110127	REFLECTOR ANDERSON AMBER	2	
-	5110347	HARNESSTONGUE 5 PRONG FLAT	1	
18	5110456	LIGHT AMBER SIDE MARKER 42IN WI	2	
-	5110512	JUMPER WIRE TRIPLE DO-RAY	1	

9. Loosen the 1/2" x 1 1/2" bolt securing the rear of the tongue to the frame. Remove the bolt completely. Loosen and remove the 1/2" x 4" hex bolt securing the tongue to the front of the frame tongue channel. Note that the two mounting bolts just removed will be used to mount the new swing tongue into the frame tongue channel.
10. Slide the complete tongue assembly out the front of the tongue channel.

INSTALLING THE NEW SWING TONGUE

1. Insert the swing tongue into the front of the frame tongue channel until the front cross-hole lines with the drilled hole in the tongue. Attach the swing tongue with the hardware removed that attached the straight tongue. Insert the 1/2" x 4" hex bolt and secure with a 1/2" flange lock nut.
2. Pull the wire harness out the rear of the tongue. Route the harness through the hole in the tongue cover. Secure the tongue cover and the rear of the tongue to the frame tongue channel using a 1/2" x 1 1/2" hex bolt and flange lock nut. Tighten both bolts installed in steps 1 and 2.
3. Match the tongue wire harness plugs with the wires of the frame harness, (yellow to yellow and green to green) then plug together. Wiring is complete. Check to make sure all lighting functions are operating correctly to match the tow vehicle. Make sure all wire protecting grommets are installed to eliminate abrasion.
4. Route the brake line tubing from the swing tongue over to the line coming out of the trailer side frame. Connect the two together using the brass coupling provided. Tighten.
5. Bleed the brake system using the instructions outlined in the brake owner's manual. Installation is complete.
6. Reattach the winch post the same distance from the front of the frame tongue channel as it was installed on the straight tongue.

REMOVE AND DISASSEMBLE AS FOLLOWS

1. Measure the distance between the winch post base and the frame tongue channel. The winch post will be mounted the same distance from the frame tongue channel once the new swing tongue is installed.
2. Remove the winch post from the straight tongue.
3. Remove the actuator from the straight tongue by removing the attaching hardware. Disconnect the brake line from the rear of the actuator because this brake will no longer be used in the swing tongue.
4. Locate the new swing tongue brake line shipped with the swing tongue. Attach it to the rear of the actuator using the same port the other brake line was removed from. Tighten.
5. Re-attach the actuator to the new swing tongue using the same hardware and attaching method as used on the straight tongue.