

**INSTALLATION INSTRUCTIONS:****READ COMPLETELY BEFORE STARTING!**

- 1) SLIP CENTER STAKES OF RACK WELDMENT #1 DOWN BETWEEN TRAILER FRONT CROSSMEMBER AND TONGUE BRACE UNTIL EXISTING HOLES IN FRONT CROSSMEMBER AND TONGUE BRACE LINE UP WITH HOLES IN CENTER STAKES. FASTEN CENTER STAKES OF WELDMENT USING HARDWARE AS SHOWN.
- 2) DRILL 11/32 HOLES THRU TRAILER STAKE POCKETS AND RACK WELDMENT ANGLES (4 PLACES) AT 5/8" FROM TOP OF POCKETS AND 3/4" FROM BOTTOM OF POCKETS WHILE CENTERED WITHIN FLAT OF ANGLES. FASTEN RACK WELDMENT ANGLES TO TRAILER POCKETS USING HARDWARE AS SHOWN. NOTE: BOTTOM OF OUTER STAKES SHOULD BE FLUSH WITH BOTTOM OF TRAILER STAKE POCKETS.
- 3) TAP BLACK PLASTIC PLUGS #2 INTO ENDS OF RACK WELDMENT USING A SOFT HAMMER.

**TRITON** Customer Instruction Sheet

KIT NO.

14640

DESCRIPTION

REV 0

DATE

7-2-10

DRAWING NO.

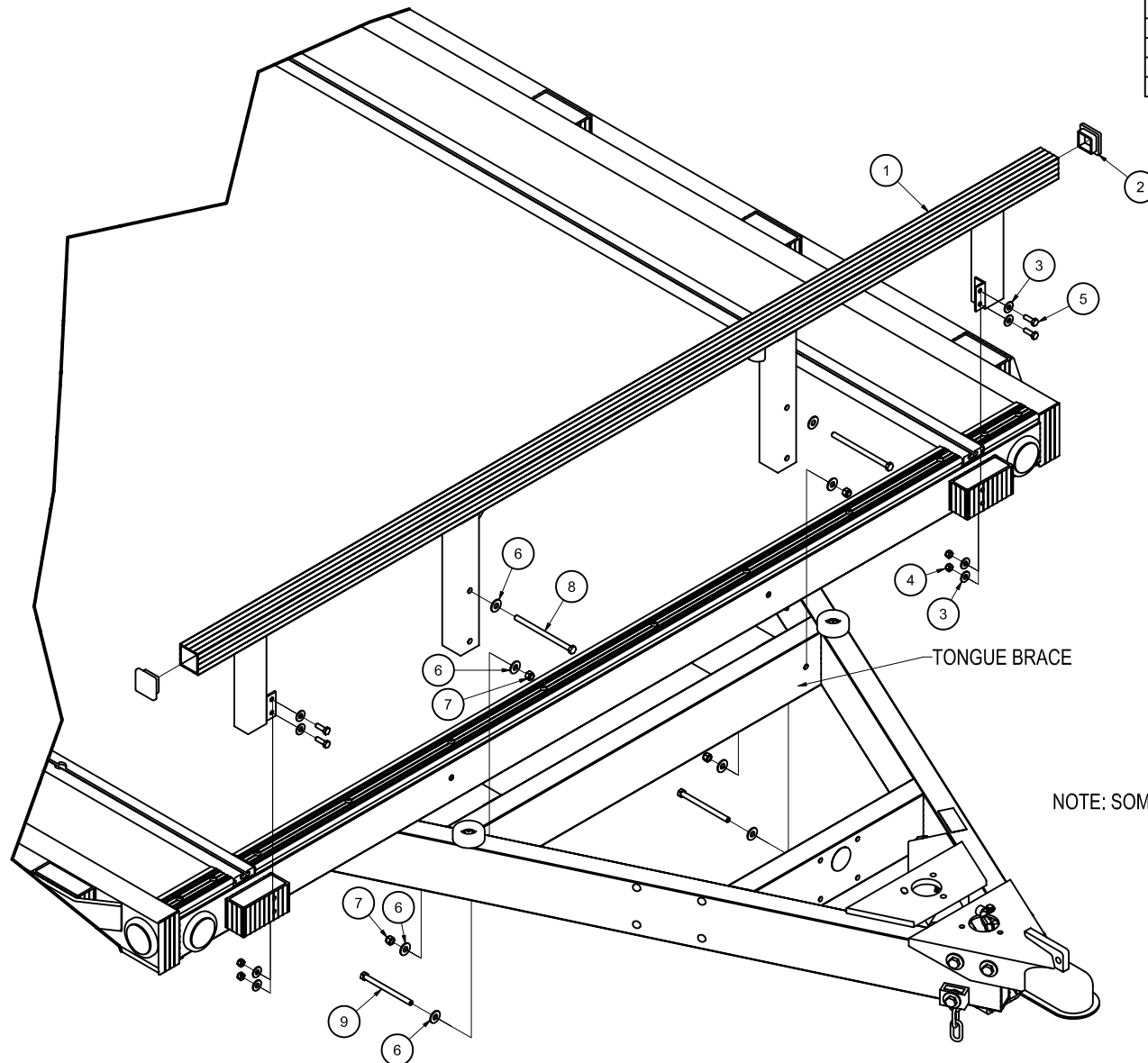
HAULER BULKHEAD RACK

DRAWN BY  
L Wagner

14645

## Parts List

ITEM	P/N	REV	DESCRIPTION	QTY
1	14639	0	WELDMENT, HAULER BULKHEAD RACK	1
2	08287	0	PLUG, 2 SQ BLACK	2
3	08354	0	WASHER, FLAT 5/16 Y/Z	8
4	04306	0	NUT, HEX 5/16-18 LOC Z/Y	4
5	12688	0	BOLT, 5/16-18 X 1 Z/Y	4
6	01290	1	WASHER, FLAT 3/8 Y/Z	8
7	01153	1	NUT, HEX 3/8-16 LOC Z/Y	4
8	00485	0	BOLT, 3/8-16 x 6 Z/Y	2
9	00985	1	BOLT, 3/8-16 x 5 Z/Y	2



NOTE: SOME TRAILER DETAIL WAS OMITTED FOR CLARITY.