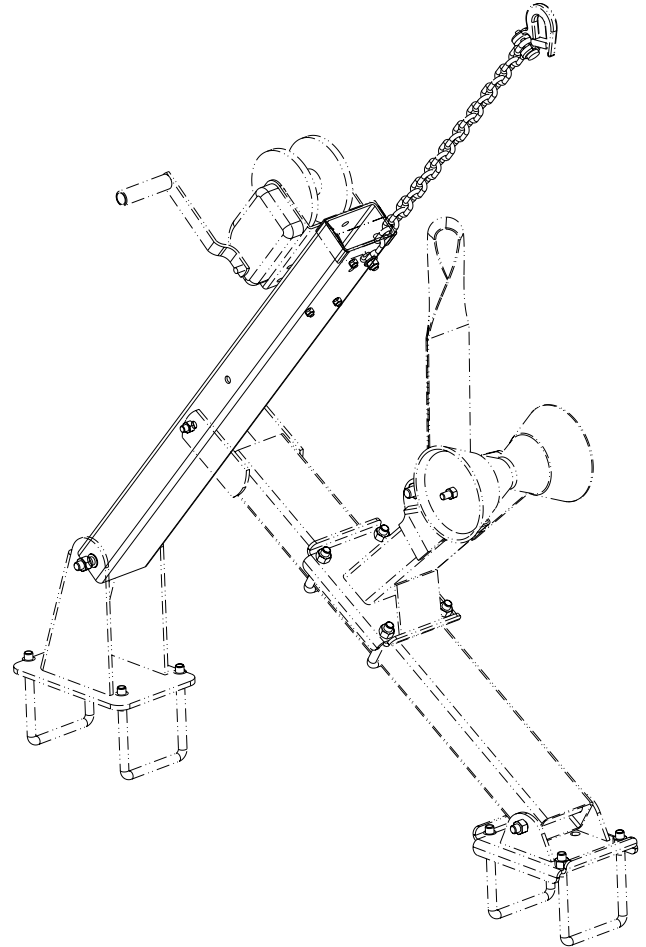
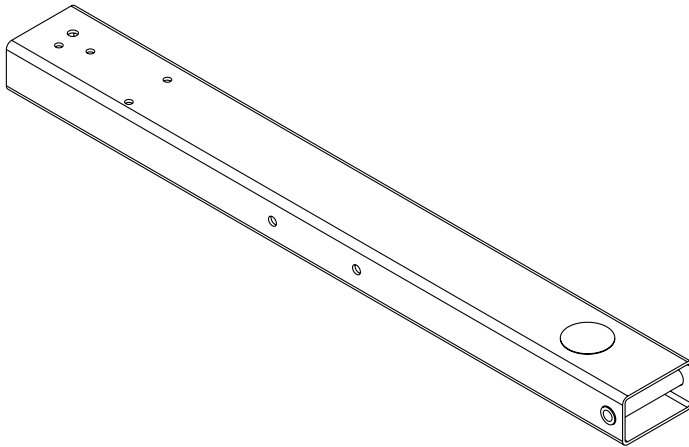


## TA0093

### Winch Post Tube Kit for SL95TAL & SL150TAL Trailers

#### TA0093 Winch Post Tube Kit



The **TA0093** extended winch post is 16 inches longer than the winch post shipped standard with the trailer. It is to be used on boats with a high bow eye position. The extra tall winch post is required in this type of application so that the winch can be positioned high enough to allow the winch strap to pull level when winching the boat on the trailer.

#### Installation Instructions

##### Disassembly of the Current Winch Post

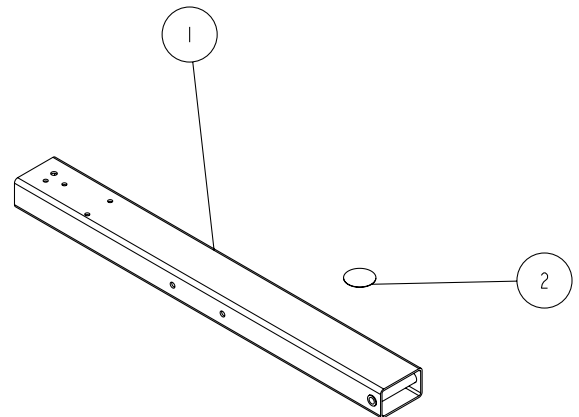
1. Remove the winch and the bow eye safety chain from the current winch post weldment.
2. Remove the bolts attaching the current winch post weldment to the winch base and angle support tube. See Diagram.

##### Assembly Instructions

1. Position the TA0093 winch post weldment into the existing winch base and re-insert the bolt removed in step 2 above. Secure with the lock nut just removed.
2. Align the holes in the angle support tube with the appropriate hole in the TA0093 winch post weldment and re-insert the bolt removed in step 2 above. Secure with the lock nut just removed.
3. Re-install the winch and bow eye safety chain just removed to the TA0093 using the existing attaching hardware.

The replacement of the winch post weldment is now complete.

Adjust the extend winch post using the winch post adjusting instructions printed in the trailer manual.



ITEM	PART #	DESCRIPTION	QTY	NOTE
1	69152	WINCH POST TUBE WMENT	1	
2	4811451	DECAL NMMA CERTIFIED TRAILER	1	