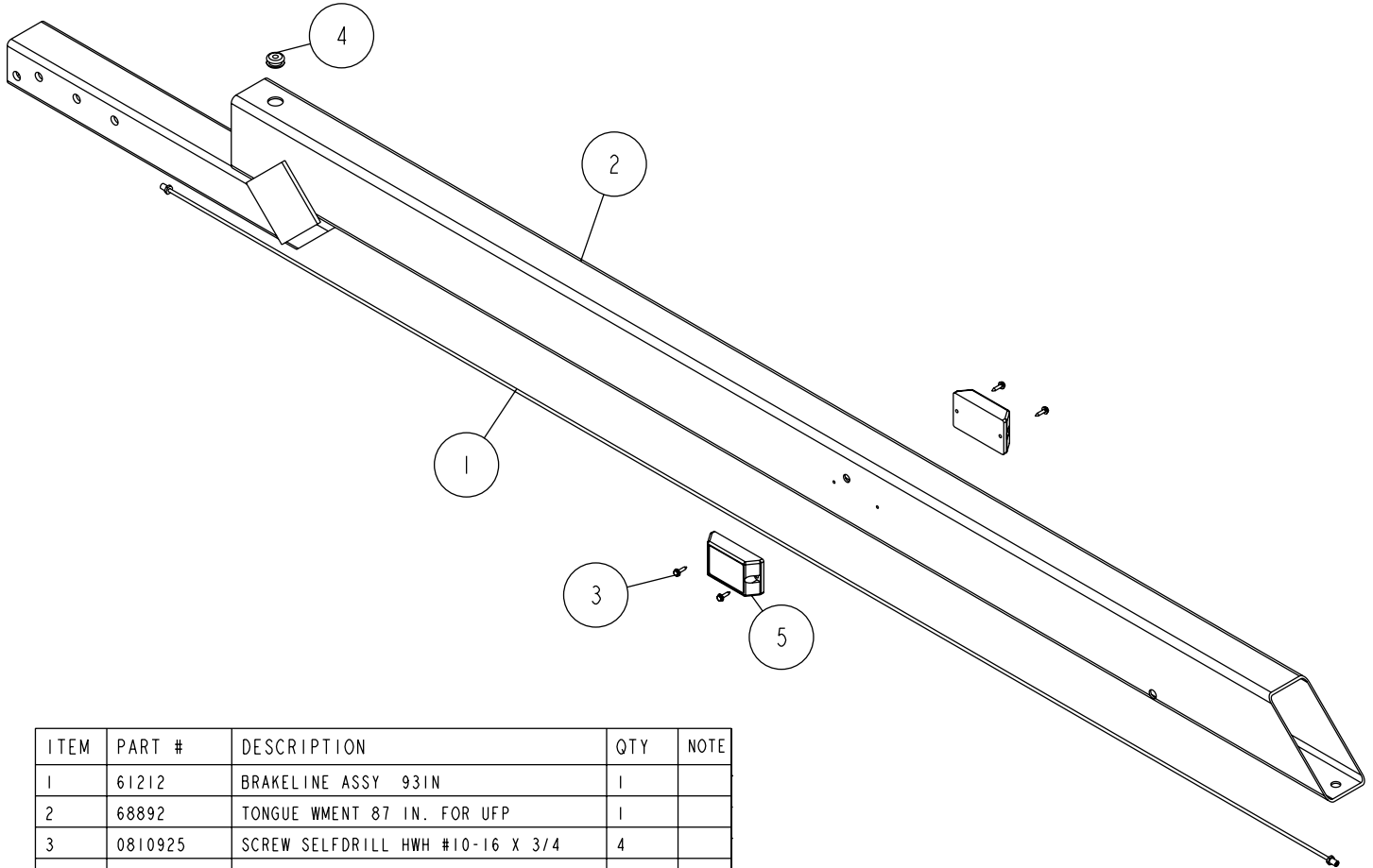


TA0077

Drop Tongue 87" for UFP Actuator; 2X5 Frame



ITEM	PART #	DESCRIPTION	QTY	NOTE
1	61212	BRAKELINE ASSY 93IN	1	
2	68892	TONGUE WMENT 87 IN. FOR UFP	1	
3	0810925	SCREW SELFDRIILL HWH #10-16 X 3/4	4	
4	3510030	GROMMET 7/8IN MOLDED	1	
-	5110347	HARNES TONGUE 5 PRONG FLAT	1	
5	5110456	LIGHT AMBER SIDE MARKER 42IN WI	2	
-	5110512	JUMPER WIRE TRIPLE DO-RAY	1	

Assembly Instructions:

Remove the tongue, winch post assembly and jack from trailer. Disconnect the tongue harness from the frame harnesses, and unscrew the tongue brake line from the frame line at the tube coupling at the rear of the tongue. Remove the bolts, nuts and washers holding the safety chains in place. Take the bolts and nuts out of the actuator and slide forward so you can access the brake line tube in the tongue. Unscrew brake line from the actuator. Set the chains, actuator and mounting hardware aside for reuse.

Remove the bolt that holds the rear of the tongue and the tongue cover, set these aside as they will need to be reused. Remove the bolt from the side of the tongue channel and remove the tongue. Reassemble with the new tongue reversing the previous steps; once everything is attached and all line connections are tight you will need to bleed the brake lines to remove air. Refer to the brake manual for proper instructions on bleeding brakes.