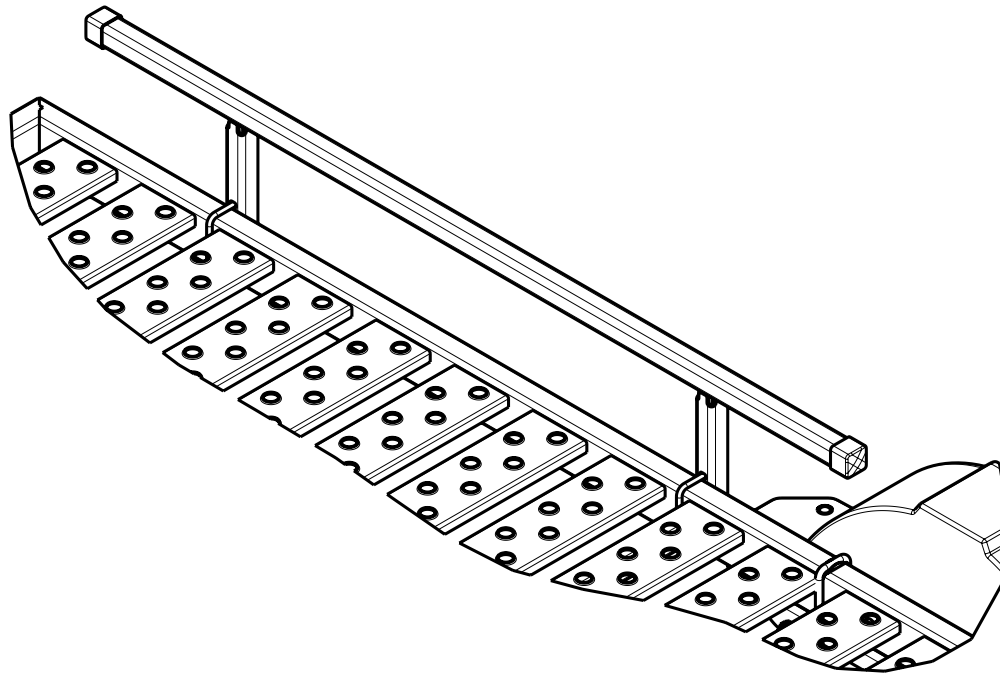
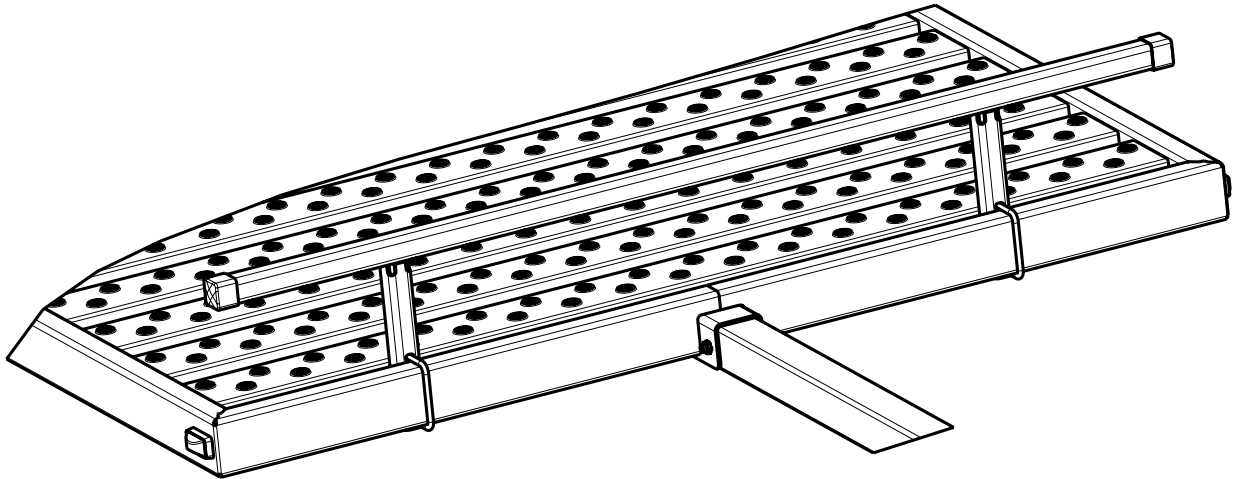


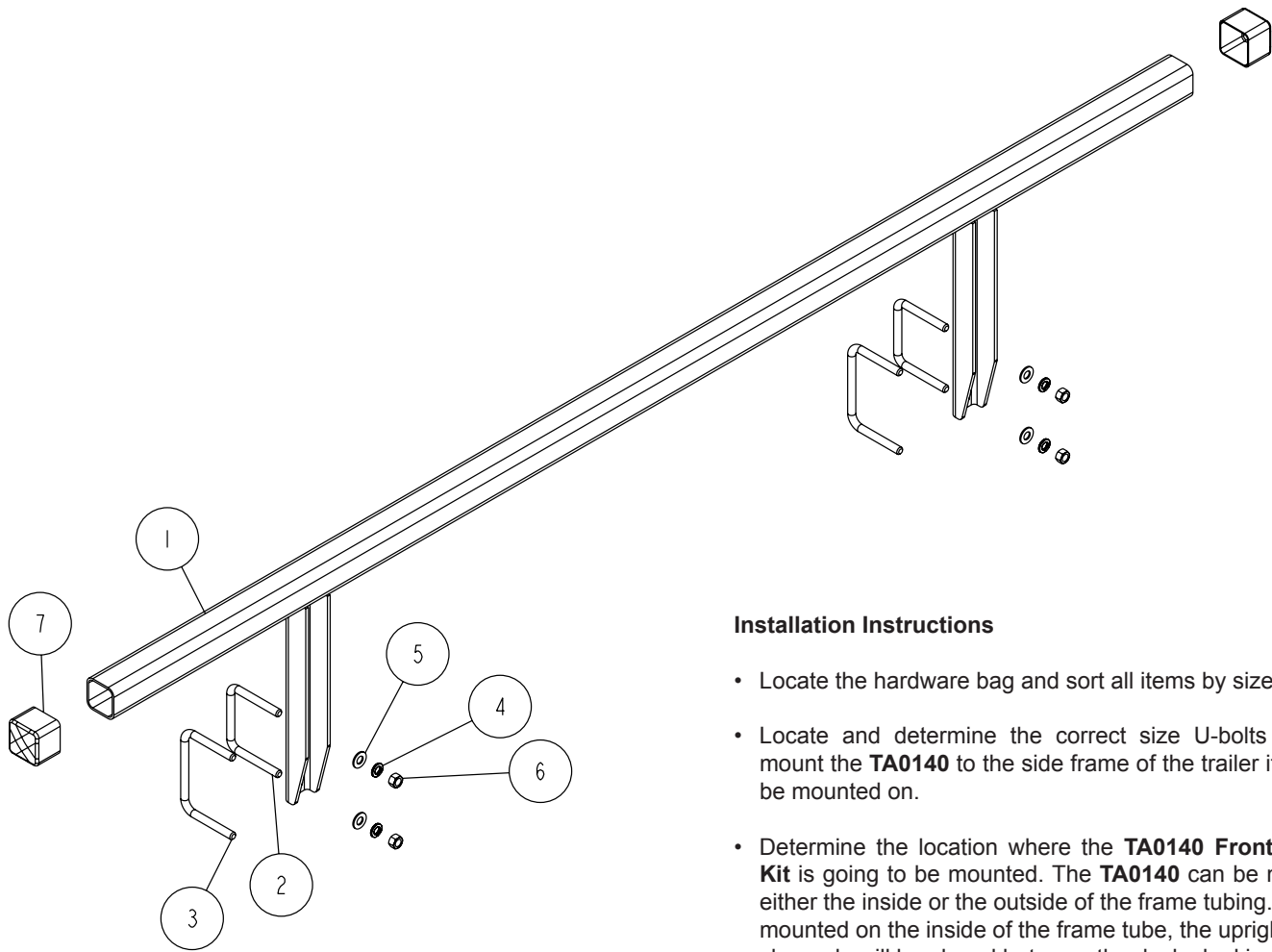
TA0140 Front / Side Stop Kit - 6' Wide



The **TA0140** front stop kit is a 6 ft. wide stop that fits on the front frame tube of the PS6X12 trailer. It will also mount on the side frame of the trailer creating a side stop rail in the event that one is desired for this trailer.

The **TA0140** can also be used on other PS (Power Sport) series trailers as a side stop rail depending on the axle positioning of the trailer it is being installed on. The **TA0140** is designed and is supplied with two different size U-bolts so it can be mounted to either a 2X3 or 2X4 side frame.

The spacing of the upright mounting channels on the **TA0140** can be mounted on either the inside or the outside of the frame.



Installation Instructions

- Locate the hardware bag and sort all items by size.
- Locate and determine the correct size U-bolts needed to mount the **TA0140** to the side frame of the trailer it is going to be mounted on.
- Determine the location where the **TA0140 Front/Side Stop Kit** is going to be mounted. The **TA0140** can be mounted on either the inside or the outside of the frame tubing. If it is to be mounted on the inside of the frame tube, the upright mounting channels will be placed between the deck planking and the U-bolts inserted from the outside in.
- Holding the **TA0140** in the desired position, place a U-bolt over the frame tube between the deck planking and insert the legs of the U-bolt into the mating holes provided in the upright mounting channels.
- Place on a 3/8" flat washer, lock washer, and hex nut. Hand tighten.
- Repeat the above step on the other upright mounting channel.
- Once it is determined that the stop is in its correct location, tighten the U-bolts securely.
- Place the black plastic end caps onto the ends of the **TA0140** tube.
- Assembly is complete.

ITEM	PART #	DESCRIPTION	QTY	NOTE
1	69730	STOP WMENT UTILITY 70 3/8 INCH	1	
2	0310108	SUB 3/8-16 X 3 7/16 X 3	2	A
3	0310400	SUB 3/8-16 X 4 7/16 X 3	2	B
4	1340030	LOCKWASHER 3/8 S/T MED ULTRASEAL	4	
5	1340095	WASHER USS FLAT 3/8	4	
6	1410109	HEX NUT 3/8-16	4	
7	3510226	CAP I 3/4XI 3/4XI 1/2 BLACK	2	

NOTES	
A	FOR 3 INCH FRAMES

NOTES	
B	FOR 4 INCH FRAMES