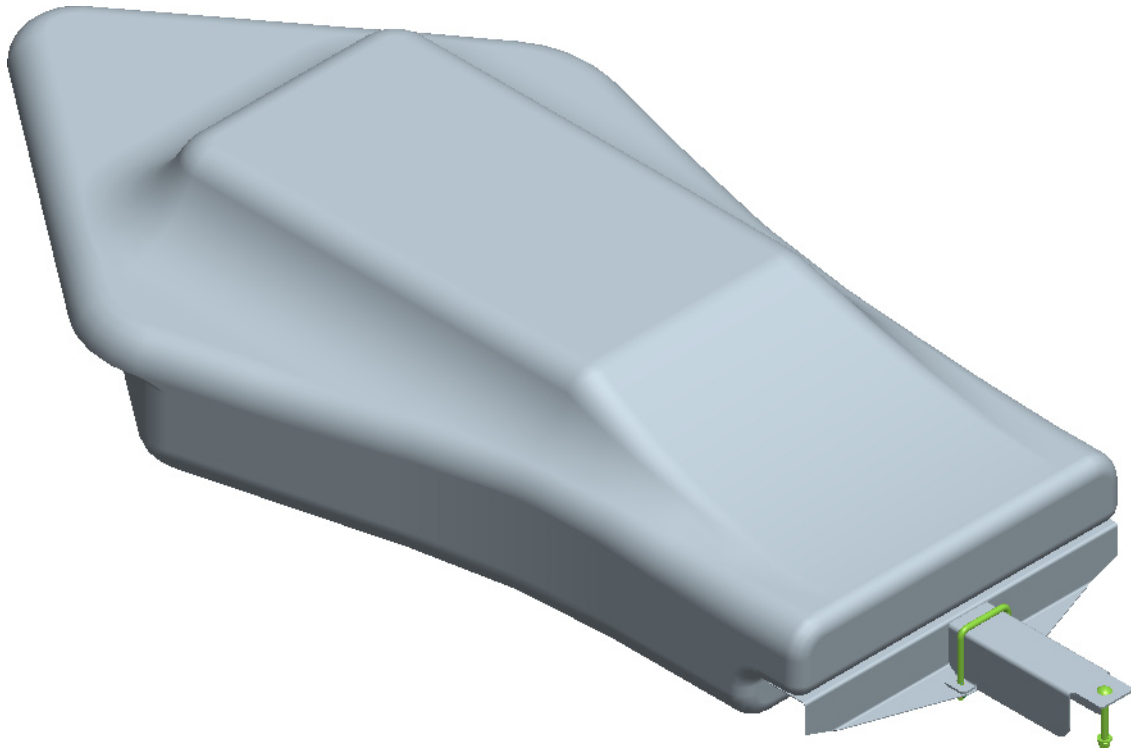


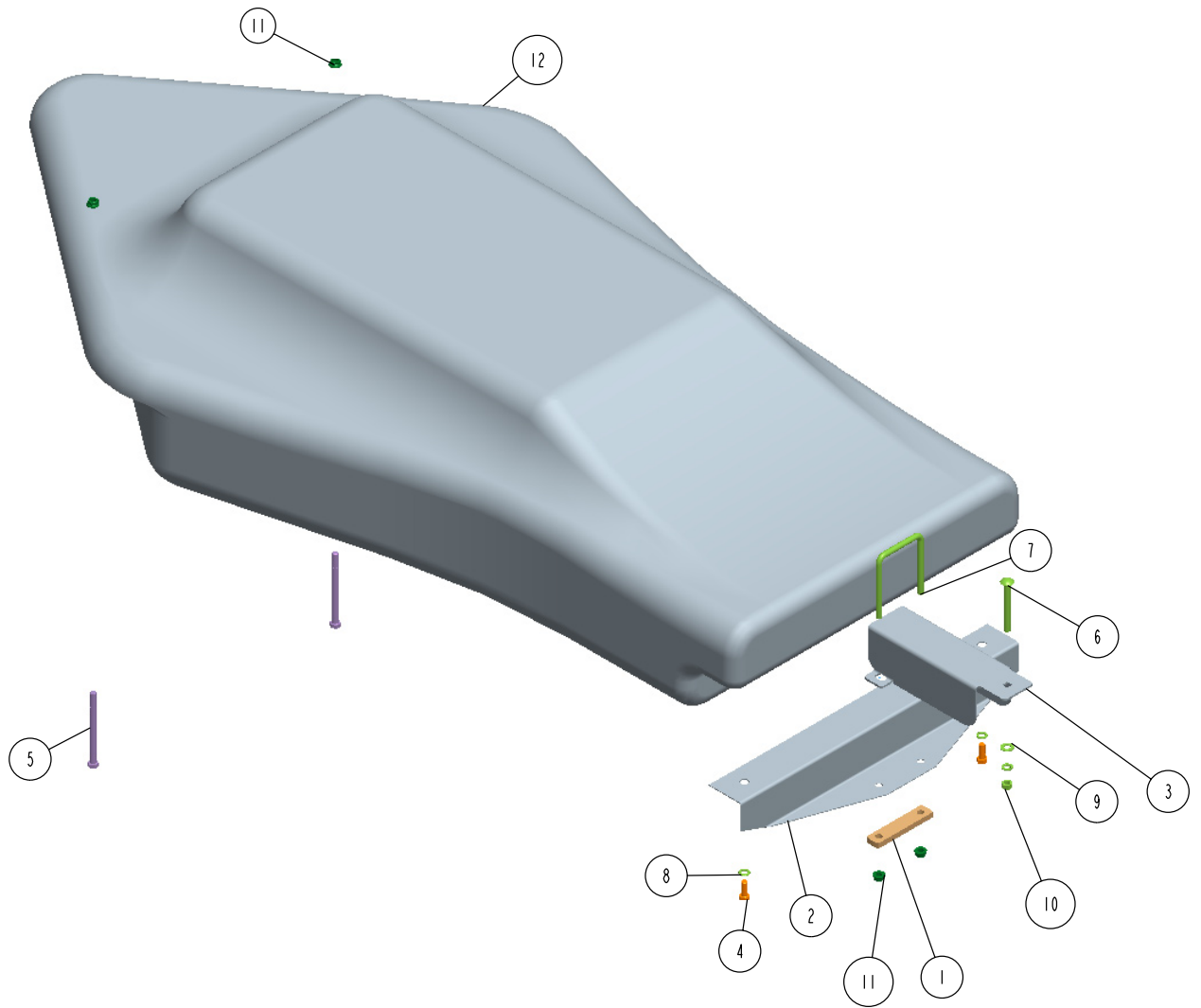
### TA0134 ShoreLock'r



The **TA0134 ShoreLock'r** storage unit is designed to fit the double PWC trailers. It attaches to the front cross member and the two side frames.

#### Assembly Instructions (Refer to Page 2 for parts drawing)

- Open the **ShoreLock'r** and locate the mounting hardware located on the inside. Remove and sort all items by size.
- Locate the **ShoreLock'r** mounting bracket. Position it on the rear of the **ShoreLock'r** storage unit as shown.
- Align the holes in the mounting bracket with the holes in the **ShoreLock'r**. Place a 3/8" flat washer on each of two 3/8" x 3/4" hex bolts. Thread the bolts into the threaded holes in the **ShoreLock'r**. Tighten.
- Locate the channel **ShoreLock'r** support and the winch tube strap. Align the holes of the channel with the mating holes in the **ShoreLock'r** mounting bracket.
- Drop a 3/8" x 3 7/16" x 4 1/8" U-bolt down over the channel and through the mating holes of the **ShoreLock'r** mounting bracket.
- Place the winch tube strap over the legs of the U-bolts on the bottom side of the **ShoreLock'r** mounting bracket. Thread on 3/8" flange lock nuts. Run the nuts on the threads until they are about tight. Do not completely tighten until after the **ShoreLock'r** is totally installed on the trailer.
- Position the assembled unit onto the frame of the trailer so it is supported by the two side frames and the channel support. Align the hole in the channel support with the hole provided in the front cross member.
- Drop a 3/8" x 3 1/2" carriage bolt into the aligned holes. Place a 3/8" flat washer, 3/8" lock washer and then a 3/8" hex nut on the threaded end of the bolt. Hand tighten until instructed to tighten later.
- Align the holes in the inside front of the **ShoreLock'r** with the holes in the side frame. Locate one of the two 3/8" x 5" hex bolts. Place a flat washer on the bolt and then insert it into one of the aligned holes. Repeat on the second hole and bolt in the other side frame. Secure using 3/8" flange lock nuts.
- Once all of the attaching bolts have been installed, tighten all bolts at this time.
- Assembly is complete.



ITEM	PART #	DESCRIPTION	QTY	NOTE
1	62092	WINCH TUBE STRAP	1	
2	64482	SHORELOCK'R MTG BRKT	1	
3	69644	CHANNEL PVC SHORELOCKER SUPPORT	1	
4	0110038	HH 3/8-16 X 3/4 CS GR5	2	
5	0110064	HH 3/8-16 X 5 CS GR5	2	
6	0210129	CARR 3/8-16 X 3 1/2 GR5	1	
7	0310090	SUB 3/8-16 X 3 7/16 X 4 1/8	1	
8	1340030	LOCKWASHER 3/8 S/T MED ULTRASEAL	3	
9	1340095	WASHER USS FLAT 3/8	1	
10	1410109	HEX NUT 3/8-16	1	
11	1440101	HEX LOCKNUT FLANGE 3/8-16 W/T&T	4	
12	3510511	SHORELOCKER WITH LID	1	